

# VAPORA F2 3660

60" x 36" x 22 3/4" Bathtub



## OPTIONS

COLOR(S)	CONFIGURATION(S)	SIZE(S)	SYSTEM(S)
White	End Drain	60 x 36	Activ-Air
		66 x 36	Mass-Air
		72 x 36	Mass-Air & Activ-Air
			Soaker - no system

## FEATURES

- Acrylic surface resistant to stains and discoloration
- High-gloss finish adds luxurious look to your bathroom
- 2-piece bathtub for an easy installation
- Freestanding bathtub that allows more flexibility
- Available in end drain configuration to fit your specific bathroom layout
- Comes with leveling legs for ease of installation
- Acrylic thermoformed and reinforced with fiberglass
- Ample deck space for faucet installation
- Warranty: Limited lifetime

## ATTRIBUTES

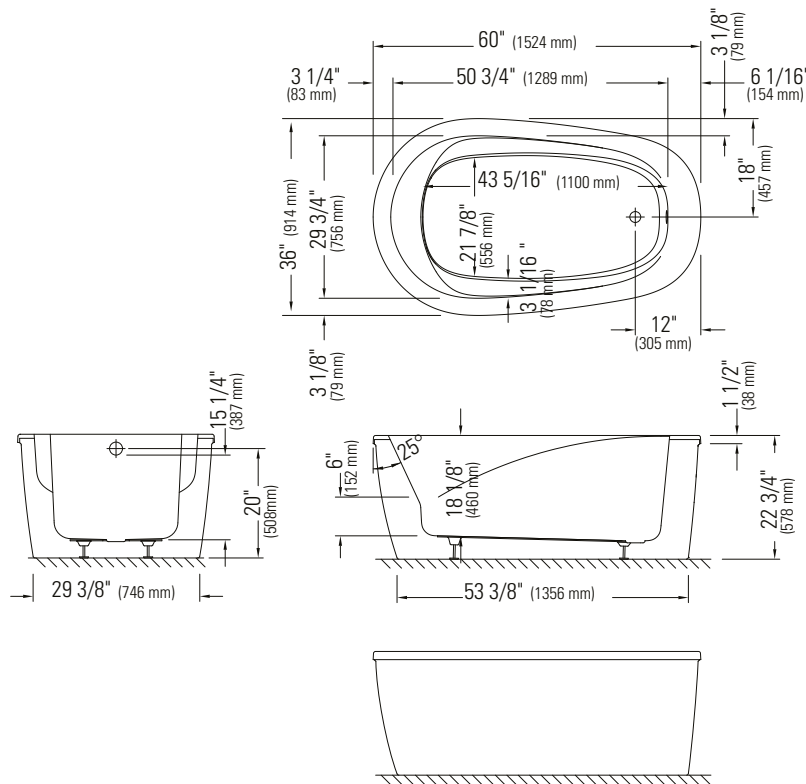
- Installation Type : Freestanding
- Above-the-Floor Rough : No
- Material : Acrylic
- Residential Warranty : 25
- Commercial Warranty : 1 Year





Produits Neptune

## VAPORA F2 3660



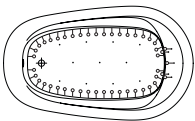
\*A bathtub fitted with back jets can cause the pump to protrude by approximately 3" from the overall dimension.

\*\*All dimensions are approximate and subject to change without notice. Please refer to the installation guide before beginning the installation

### DIMENSIONS

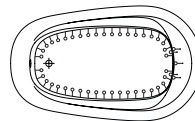
<b>PRODUCT LENGTH</b>	<b>BATHING WELL LENGTH</b>	<b>PRODUCT WIDTH</b>	<b>BATHING WELL WIDTH</b>	<b>PRODUCT HEIGHT</b>
60"	43.3175"	36"	21 7/8"	22 3/4"
<b>DEEP SUMP HEIGHT</b>	<b>THRESHOLD WIDTH</b>	<b>DECK WIDTH</b>	<b>SKIRT HEIGHT</b>	<b>WEIGHT</b>
15 1/4"	3 1/8"	6 1/16"	21 1/4"	96 Lbs
<b>DRAIN CLEARANCE</b>	<b>SHIPPING LENGTH</b>	<b>SHIPPING WIDTH</b>	<b>SHIPPING HEIGHT</b>	
1"	67"	36 1/2"	24 1/2"	

### SYSTEMS



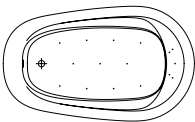
#### Mass-Air/Activ-Air Combo

Included: 41 Activ-Air micro-jets, 11 Mass-Air injectors, two Optima blowers 750W (1 1/2 h.p.) with 300W heating element, two 6' blower hose extension and backlit electronic control.



#### Activ-Air

Included: 41 micro-jets, Optima blower 750W (1 1/2 h.p.) with 300W heating element, 6' blower hose extension and backlit electronic control.



#### Mass-Air

Included: 16 (11-5) injectors, Optima blower 750W (1 1/2 h.p.) with 300W heating element, 6' blower hose extension and backlit electronic control.

Project: \_\_\_\_\_

Contractor: \_\_\_\_\_

Representative: \_\_\_\_\_

Date: \_\_\_\_\_

Tel: \_\_\_\_\_

Notes: \_\_\_\_\_

\_\_\_\_\_

\_\_\_\_\_