

# SAMUEL HEATH

**Product Number:** N5036

**Description:** Glass corner shelf



## Finishes Available



Chrome Plate



Polished Nickel



Satin Nickel  
(US15)



City Bronze



Matt Black Chrome



Brushed Gold  
Gloss



Brushed Gold Matt



Brushed Gold  
Unlacquered



Antique Brass Matt

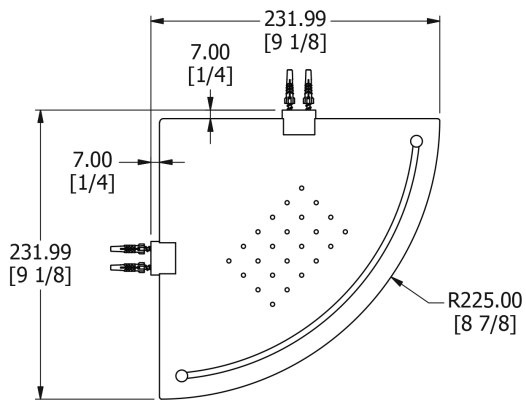


Antique Brass  
Gloss

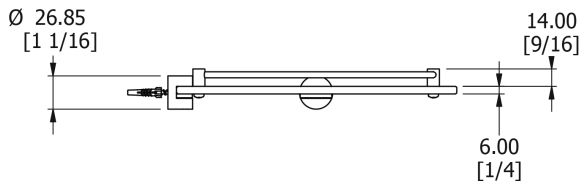
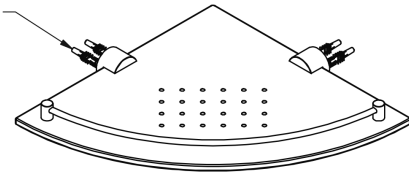


Amber Brass

## Specification Drawing



4 No. SCREWS AND PLUGS  
No. 8 x 1 1/4" LONG



### UK Customer Service

Leopold Street  
Birmingham  
B12 0UJ  
Tel: +44 121 766 4200  
Email: info@samuel-heath.com

### US Customer Service

Federal I.D. No. 58-1504682  
Email: usa@samuel-heath.com

### Specification Enquiries

Design Centre Chelsea Harbour  
1st Floor, North Dome, London  
SW10 0XE  
Tel: 020 7352 0249  
Email: showroom@samuel-heath.com

1-12/09/2024