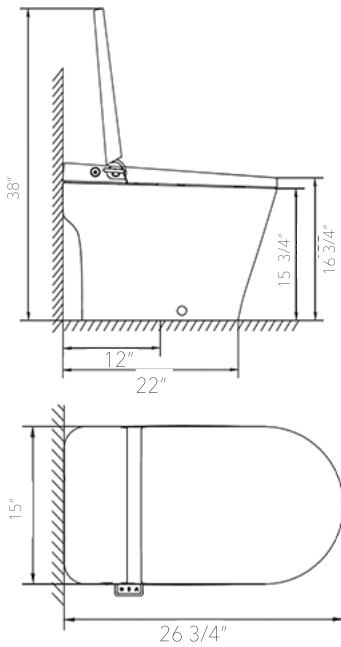


MINT.ONE

**MINT. ONE AXENT INTELLIGENT TOILET
(WITH KIRIN FLUSH)** TS026-3



*Note: If baseboards are used measure minimum 12" [305] from baseboard.

inches [mm]



FEATURES

Dimensions	L 26 3/4" x W 15 1/4" x H 19 1/4"	
Weight	100 lbs.	
Material Finish	Vitreous China and Easy Clean Antibacterial Glaze	
Color	White and Chrome Trim	
Water Consumption	Single Flush 1.0 GPF (3.8 LPF)	
Configuration	<ul style="list-style-type: none"> 12" Rough-In Floor Mounted / Siphonic Elongated Bowl Shape Manual and Remote Activated Flushing Patented Tankless Technology Smart Phone App Enabled Control Stainless Steel Wand Customizable Integrated Bidet Seat 	<ul style="list-style-type: none"> Warm Air Dryer Deodorizer Adjustable Self- Warming Seat Instantly Warm Water Temperature Adjustable Shower Flow and Massaging Automated Hands-Free, Soft-Closing Seat and Lid Easy Clean Antibacterial Coating

CODES/STANDARDS

IAPMO EGS Listed
 ASME A112.4.2, ASME A112.18.1/CSA B125.1, UL 1431, CSA C22.2 64 and 678
 ASME 112.19.2-2013/CSA B45.1-13, ASSE1002
 Kirin System 1.0 GPF
 MAP RATING HIGHLY RECOMMENDED Flush Performance
 EPA WaterSense®

DETAILS

The MINT.ONE intelligent toilet redefines intuitive design and adaptable technology. This award-winning intelligent toilet is equipped with the latest smartware technology customize your MINT.ONE functions with the swipe of a sensor or click of a button.

The MINT.ONE is paired with the Kirin flushing system. This tankless design and powerful flushing efficiency lends to the MINT.ONE one-of-a-kind water conservation benefits and eliminates the need for unnecessary ceramic (a reduction of more than 25% less materials than traditional toilets)

AXENT

support@axentproducts.com
 www.axentbath.us
 949.250.4576

All drawings contain the necessary measurements which are subject to standard tolerances. They are stated in mm and are non-binding. Exact measurements, in particular for customised installation scenarios, can only be taken from the finished ceramic piece.