

MARISSA

DESIGNER COLLECTION



As SHOWN:
Whirlpool option

- FEATURES SHOWN:**
- Overflow location
 - Standard jet location

- ALSO AVAILABLE:**
- Soaking tub only
 - Thermal Air
 - Combo

BACKSLOPE:
30 degrees

WATER CAPACITY:
110 Gallons

WEIGHT:
105 -145 Pounds depending on system

- DROP-IN INSTALLATION DIMENSIONS:**
- (L)ength- 70"
 - (W)idth- 40"
 - (H)eight- 25-1/4"

- INSTALLATION TIPS:**
- When adding integral linear drain p-trap location is now below waste
 - Adding multiple systems/options may require equipment to stick out from tub deck or be installed remotely

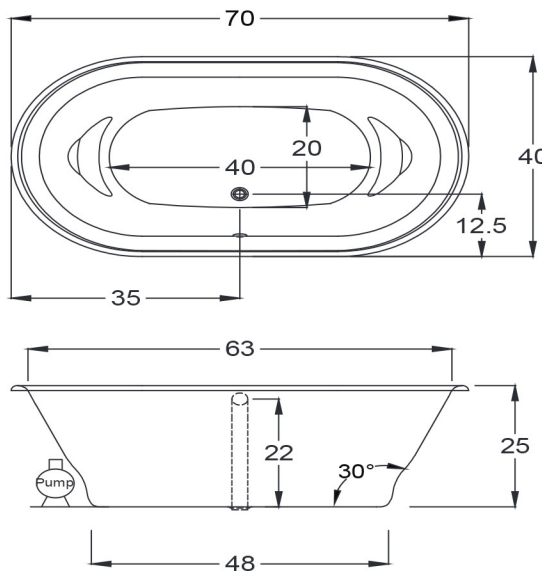
CODES AND COMPLIANCES
Massachusetts code File no: P1-0614-491



Tub must be set in mortar base

ACRYLIC TUB

- Acrylic models finished in 1/8" thick layer of deep lustrous acrylic
- Pre-wired pump on pump platform (standard pump location only)
- Integral E-Z level platform facilitates installation
- Micro mount reduces lip height by approximately 3/8" to 5/8"
- Micro mount requires increase in framing height by an additional 1-1/4"



- Optional Equipment Dimensions**
- Whirlpool Pump: 12" (H) x 16" (L)
 - Thermal Air Blower: 5" (H) x 11" (L)
 - Hydro Fusion: 7" (H) x 15.5" (L)
 - Hydro Indulge: 11" (H) x 19" (L)

