

# Product Specs Sheets

Cover Page

## Lotus C70F

### Features

- Complete Vanity Unit
- Base Unit Available in 4 Finishes: Glossy White, Natural Oak, Mist Matte, and Walnut
- Handles in Matte Black
- Free Standing Installation with Matte Black Legs
- Two soft close drawers
- Includes integrated sink and vanity top in gloss white ceramic with faucet hole and overflow
- Fully assembled with structure and front made of engineered wood in wood finishes and high gloss lacquered
- Handle integrated in front of furniture
- Drawers with Full Extraction
- Made in Spain







### Related Items:

- WSBC 53991 | Push Waste Drain
- WSBC 53922 | Decorative Trap
- Lotus COL02 | Bathroom Column

### SKU# | Options:

- Lotus C70F.112 WG | Glossy White
- Lotus C70F.112 NO | Natural Oak
- Lotus C70F.112 MTM | Mist Matte
- Lotus C70F.112 WA | Walnut

### Finishes:

-  Glossy White
-  Natural Oak
-  Mist Matte
-  Walnut

### Codes & Standards:

- CARB2 Compliant and Certified
- TSCA Compliant and Certified

\* WS Bath Collections reserve the right to make revisions without notice to product specifications, dimensions, or information.

**Collection |**  
Lotus

**Model |**  
Lotus C70F

Dimensions Metric

*1 inch = 2.54 cm*

*1 inch = 25.4 mm*

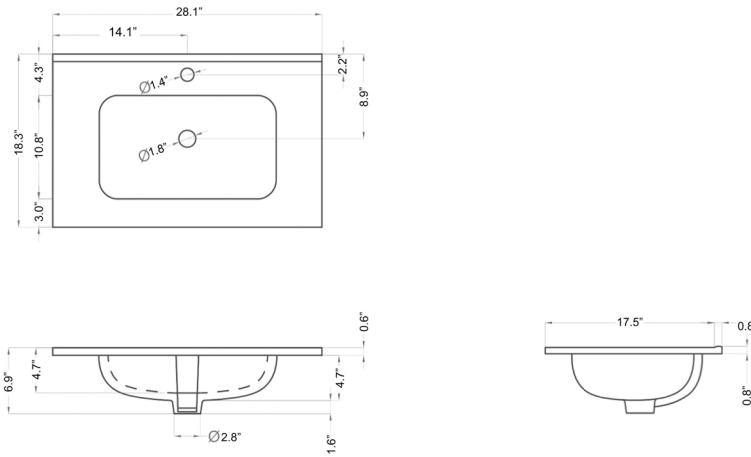
**WS**®  
**BATH**  
**COLLECTIONS**

1051 Lea Drive - Collegeville, PA 19426  
Tel. 215 513 9400 - Fax 610 831 0215

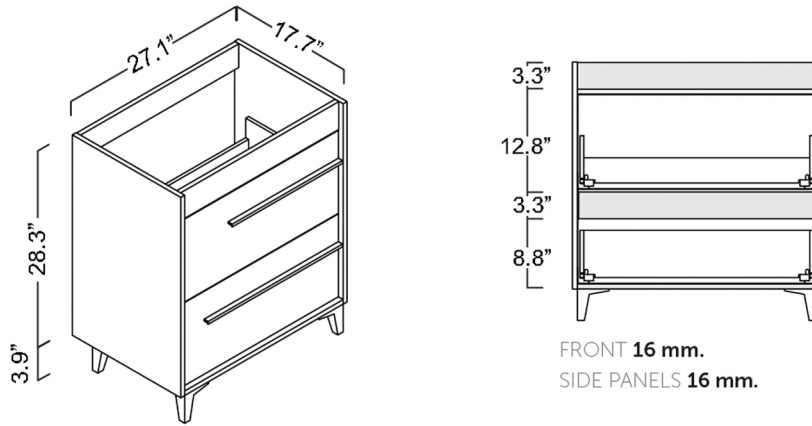
[www.ws bathcollections.com](http://www.ws bathcollections.com) - [info@ws bathcollections.com](mailto:info@ws bathcollections.com)

## Lotus C70F

### Sink



### Base Unit



#### Technical information



Total extraction  
Extracción total  
Extraction totale



Laminated texture  
Textura laminada  
Laminé texturé



Soft close  
Cierre amortiguado  
Fermeture ralentie

**Collection |**  
Lotus

**Model |**  
Lotus C70F

Dimensions Metric

1 inch = 2.54 cm

1 inch = 25.4 mm

**WS**®  
**BATH**  
**COLLECTIONS**

1051 Lea Drive - Collegeville, PA 19426  
Tel. 215 513 9400 - Fax 610 831 0215

[www.ws bathcollections.com](http://www.ws bathcollections.com) - [info@ws bathcollections.com](mailto:info@ws bathcollections.com)

We recommend the following items that work with your sink.

**Lotus C70F**

## TRAPS



WSBC 53922  
*Our best seller*

-  Polished Chrome  
WSBC 53922.29
-  Matte Black  
WSBC 53922.22
-  Glossy White  
WSBC 53922.09
-  Matte White  
WSBC 53922.26



WSBC 5392

-  Polished Chrome  
WSBC 5392.29



WSBC 53925

-  Polished Chrome  
WSBC 53925.29



WSBC 53921  
*Space saving*

-  Polished Chrome  
WSBC 53921.29
-  Matte Black  
WSBC 53921.22
-  Glossy White  
WSBC 53921.09
-  Matte White  
WSBC 53921.26

## DRAINS



WSBC 53991  
Push waste drain (click clack)  
*with overflow*

-  Polished Chrome  
WSBC 53991.29
-  Glossy White  
WSBC 53991.09
-  Glossy Black  
WSBC 53991.18
-  Matte White  
WSBC 53991.26
-  Matte Black  
WSBC 53991.22

## MOUNTING HARDWARE

**Wall-Mount Installation**

**Vessel/Countertop Installation**



Bolts



Silicone (optional)

**Collection |**  
Lotus

**Model |**  
Lotus C70F

Dimensions Metric

*1 inch = 2.54 cm*  
*1 inch = 25.4 mm*



1051 Lea Drive - Collegeville, PA 19426  
Tel. 215 513 9400 - Fax 610 831 0215  
[www.ws bathcollections.com](http://www.ws bathcollections.com) - [info@ws bathcollections.com](mailto:info@ws bathcollections.com)