

# LACEY 6042



## DESIGNER COLLECTION

### As SHOWN:

Whirlpool option

### FEATURES SHOWN:

- Overflow location
- Standard jet location

### ALSO AVAILABLE:

- Soaking tub only
- Thermal Air
- Combo

### BACKSLOPE:

28 degrees

### WATER CAPACITY:

65 Gallons

### WEIGHT:

55-95 Pounds depending on system

### DROP-IN INSTALLATION DIMENSIONS:

- (L)ength- 58"
- (W)idth- 40"
- (H)eight- 19-1/4"

### 3-WALL INSTALLATION DIMENSIONS:

- (L)ength- 60"
- (W)idth- 42"
- Top of Ledger- 20-3/4"

### INSTALLATION TIPS:

- When adding integral linear drain p-trap location is now below waste
- Adding multiple systems/options may require equipment to stick out from tub deck or be installed remotely

### CODES AND COMPLIANCES

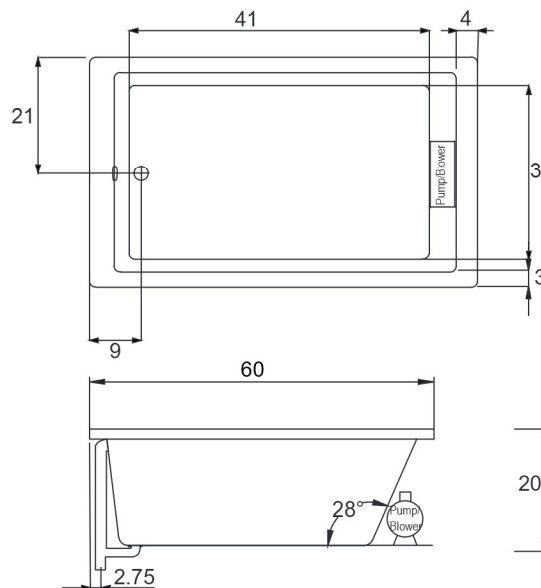
Massachusetts code File no: P1-0614-491



\*Tub must be set in mortar base\*

### ACRYLIC TUB

- Acrylic models finished in 1/8" thick layer of deep lustrous acrylic
- Pre-wired pump on pump platform (standard pump location only)
- Integral E-Z level platform facilitates installation
- Micro mount reduces standard edge height of tub to minus (-) 3/8 to 5/8"
- Micro mount requires increase in framing height by an additional 1-1/4"



### Optional Equipment Dimensions

- Whirlpool Pump: 12"(H) x 16"(L)
- Thermal Air Blower: 5"(H) x 11"(L)
- Hydro Fusion: 7"(H) x 15.5"(L)
- Hydro Indulge: 11"(H) x 19"(L)

