

DESCRIPTION

- Ceramic cartridge
- 3/8" speedway compression
- 2-jet pull-down spray

FLOW

- 6.7 L/min, 1.8 gpm (US) 60psi
- 3.7 L/min, 1 gpm (US) 60psi (JL101-10)
- 5.69 L/min, 1.5 gpm (US) 60psi (JL101-15)

STANDARDS

- CSAB125.1
- NSF ANSI standard 61 et 372
- ASME A112.18.1

WARRANTY

- Most products or parts carry "Limited Warranties" against manufacturing defects. For US customers please visit houseofrohl.com/support and for Canadian customers please visit houseofrohl.ca/support for complete product and finish warranty.

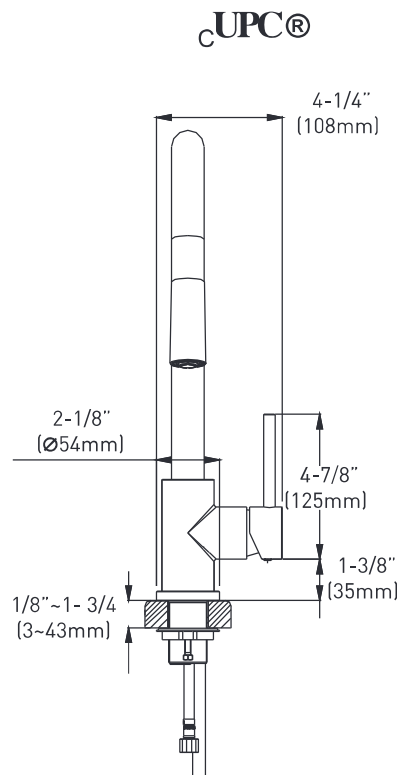
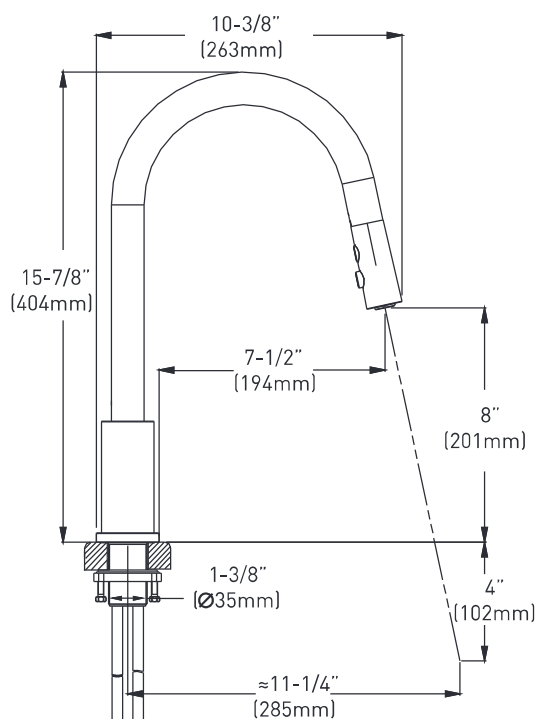
SPECIFICATIONS



Joli™

Pull-Down Kitchen Faucet

MODELS: JL101C



For warranty or additional information, contact:

U.S.A.
houseofrohl.com/support
 1-800-777-9762

QUEBEC / MARITIMES / WESTERN CANADA
 QUÉBEC / MARITIMES / OUEST CANADIEN
 QUEBEC / MARITIMOS / CANADA OCCIDENTAL
houseofrohl.ca/support
 1-866-473-8442

ONTARIO
houseofrohl.ca/support
 1-800-287-5354