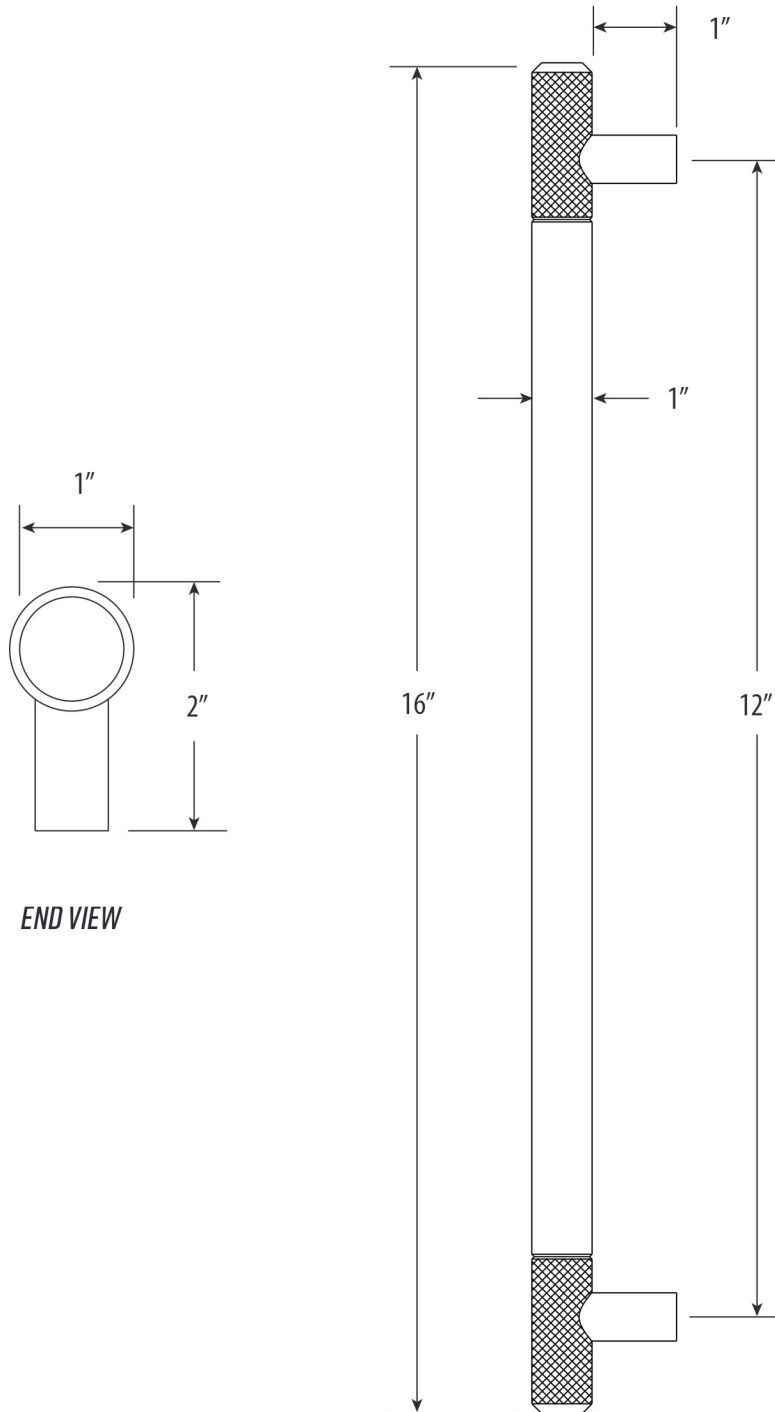


## MODERN INDUSTRIAL 12" APPLIANCE / DOOR PULL

# HMP-1201

• FITS MATERIALS FROM 1/4" TO 1-1/2" THICK



**ECO BRASS**  
HIGH PERFORMANCE LEAD FREE BRASS

DIMENSIONS MAY VARY AND ARE SUBJECT TO CHANGE. NO RESPONSIBILITY IS ASSUMED FOR USE OF SUPERCEDED OR VOIDED DATA