

DESCRIPTION

- 3/8" speedway compression
- Push drain included with faucet

FLOW

- 1.2 GPM/4.5 LPM at 60 PSI (WaterSense and CEC compliant)

STANDARDS

- ASME A112.18.1/CSA B125.1
- NSF 61/9 & 372 Q ≤ 1
- CEC

WARRANTY

- Most products or parts carry "Limited Warranties" against manufacturing defects. For US customers please visit houseofrohl.com/support and for Canadian customers please visit houseofrohl.ca/support for complete product and finish warranty.

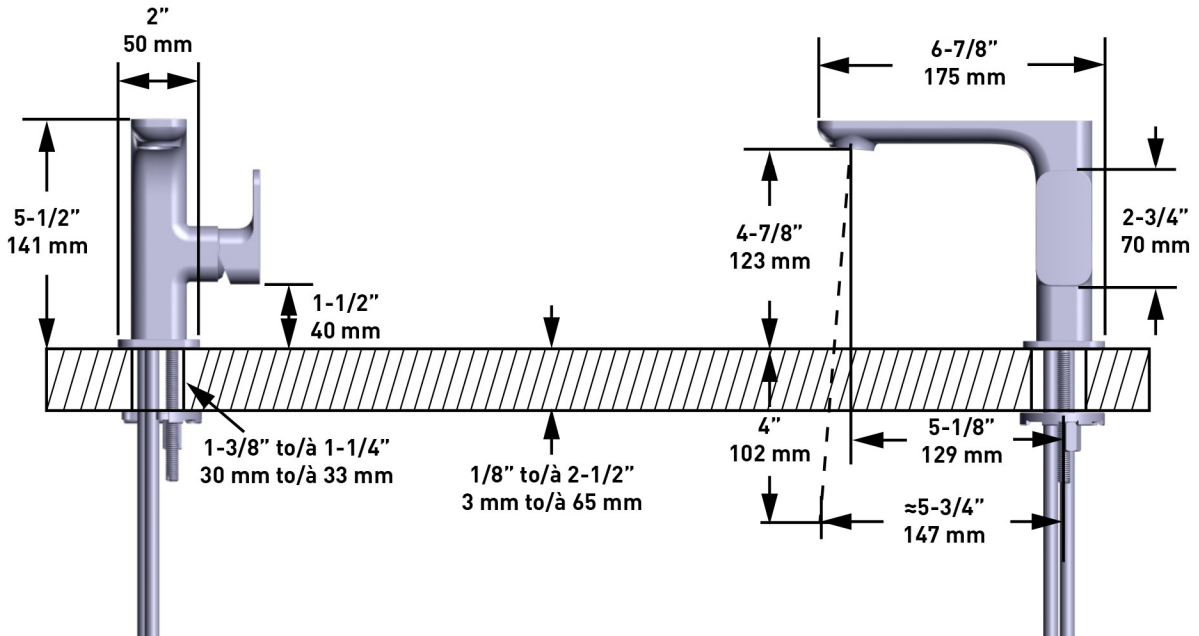
SPECIFICATIONS



Equinox™

Single Handle Lavatory Faucet

MODELS: EQS01SH



For warranty or additional information, contact:

U.S.A.
houseofrohl.com/support
 1-800-777-9762

QUEBEC / MARITIMES / WESTERN CANADA
 QUÉBEC / MARITIMES / OUEST CANADIEN
 QUEBEC / MARITIMOS / CANADA OCCIDENTAL
houseofrohl.ca/support
 1-866-473-8442

ONTARIO
houseofrohl.ca/support
 1-800-287-5354