

AXOR Universal Rectangular Shaving mirror

Surfaces: **Chrome** Article Number: **42649000**



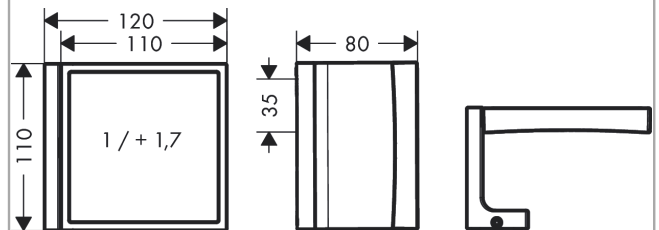
product features

- material: mirror glass
- material frame: metal
- mirror is inclinable
- enlargement: 1.7-times
- with mounting material
- drilling distance: 35 mm
- diameter drill hole: 6 mm
- wall-mounted

Product image



Scale drawing

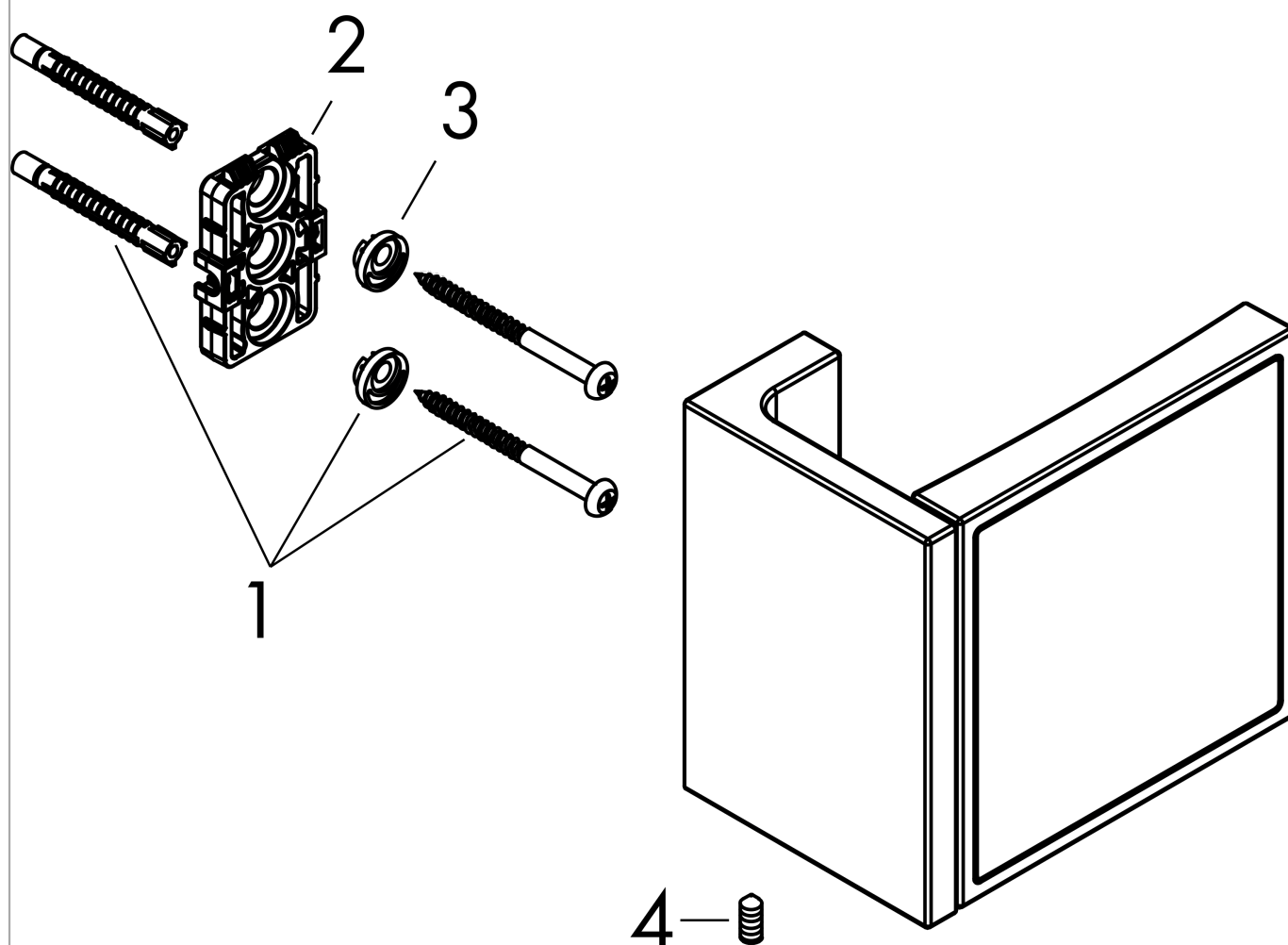


AXOR Universal Rectangular
Shaving mirror
Surfaces: **Chrome** Article Number: **42649000**



Exploded Drawing

Year of production: >10/22



**AXOR Universal Rectangular
Shaving mirror**

Surfaces: **Chrome** Article Number: **42649000**



Spare part list

Year of production: >10/22

Pos.		Article Number	Price	PU
1	mounting set	96179000	€ 11,31	1
2	support cpl.	94682000	€ 28,20	1
3	excentric socket	97604000	€ 8,45	1
4	hollow set screw M5x16	97666000	€ 3,21	1