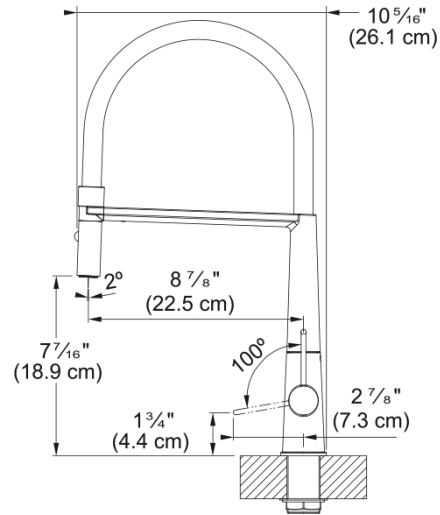


Icon Semi-Pro Faucet ICN-SP-MBK | 115.0690.402



Technical Data

Aspect

Spout type	S - semi-professional
Color	Matte black
Type of material	Brass
Flexible pullout hose material	Silicon black
Spray head material	Brass

Product Dimensions

Faucet hole diameter	35 mm
Cartridge dimension	25 mm

Installation

Mounting type	Shank
Water supply hose connection	1/2"
Water supply hose length	600 mm

Product specifications

Pressure	High pressure
Faucet type	Pull-out spray
Faucet operation	Side lever
Faucet rotation	360°

Product identification

Product brand	FRANKE
Product family	Mythos
Collection	Icon

Features

Water saving feature	No
Type of aerator	Laminar

Features

