

## AXOR Universal Rectangular Shelf 300

Surfaces: **Chrome** Article Number: **42644000**



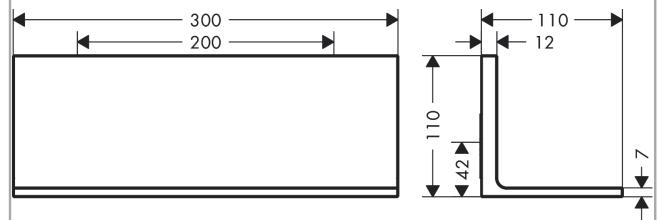
### product features

- wall-mounted
- material shelf: metal
- length: 300 mm
- with mounting material
- concealed fastening
- drilling distance: 200 mm
- diameter drill hole: 6 mm
- suitable for shower

### Product image



### Scale drawing



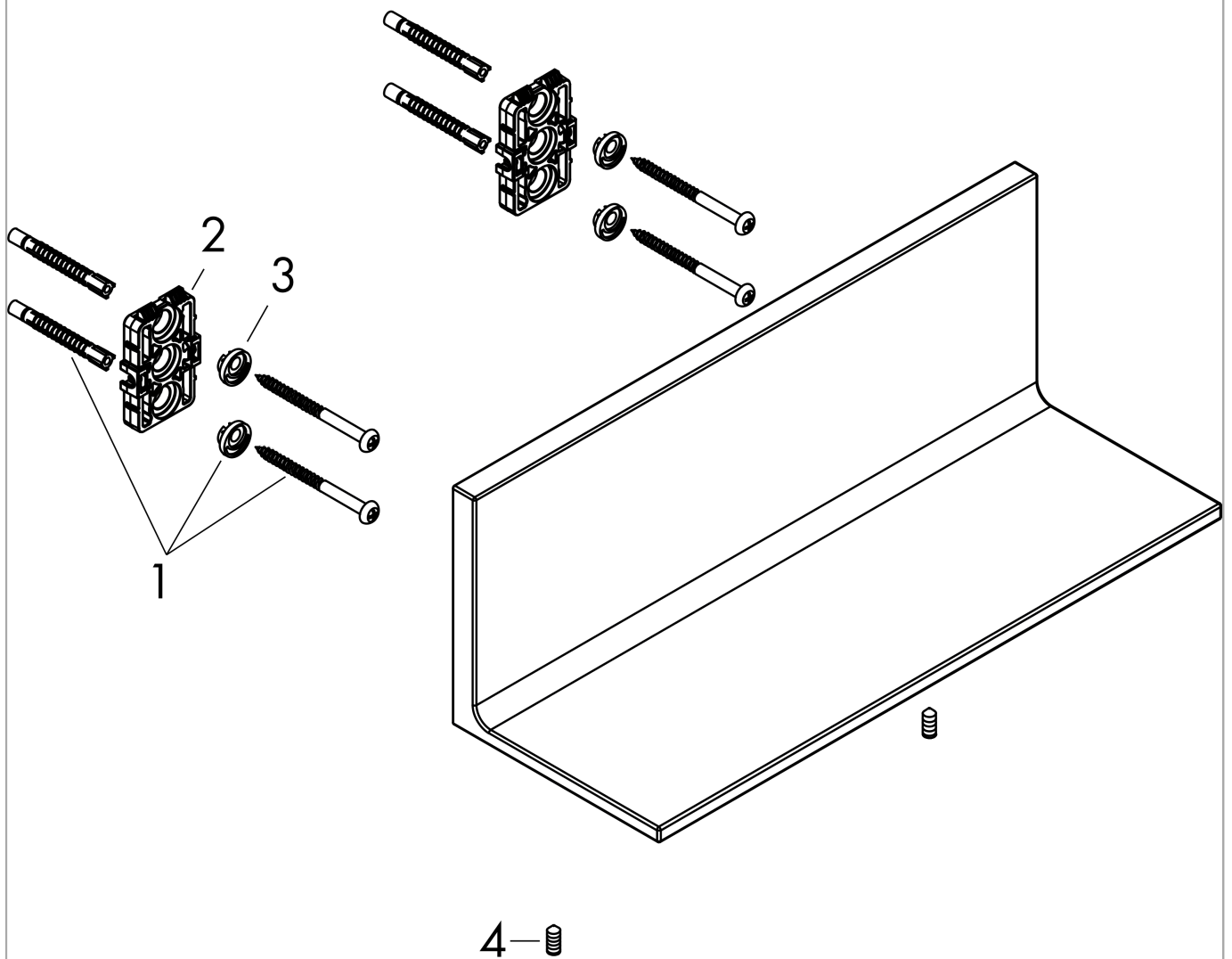
**AXOR Universal Rectangular  
Shelf 300**

Surfaces: **Chrome**    Article Number: **42644000**



**Exploded Drawing**

Year of production: >10/22



**AXOR Universal Rectangular  
Shelf 300**

Surfaces: **Chrome** Article Number: **42644000**



## Spare part list

Year of production: >10/22

Pos.		Article Number	Price	PU
1	mounting set	96179000	€ 11,31	1
2	support cpl.	94682000	€ 28,20	1
3	excentric socket	97604000	€ 8,45	1
4	hollow set screw M5x16	97666000	€ 3,21	1