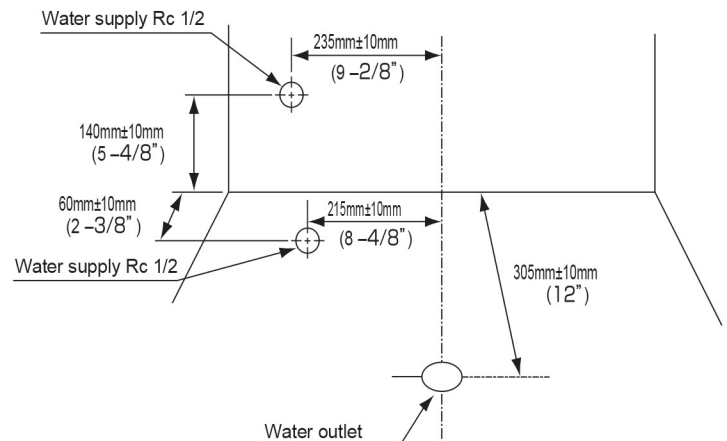
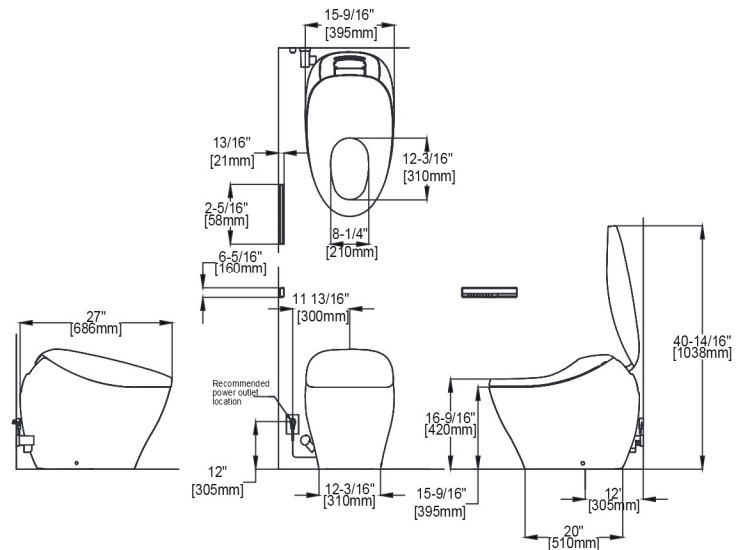


SPECIFICATIONS

Rated Voltage		120V
Rated Frequency		60 Hz
Rated Power		1100W (57-61F inlet water temp.)
Water Supply Mode		Direct connection to water supply
Water Pressure Range		50PSI-116PSI
Water Flow		>7.92 gal/min
Safety Device		Seated sensor, electrical leakage protector, water over-pressure protection device
Spray Settings	Spray Volume	About 0.13 - 0.21 gal/min
	Warm Water Temperature	4 levels Room temp to 104F (40C)
	Heating Method	Ceramic instant heating
	Heater Capacity	1100W
	Safety Device	Temperature sensor, temperature fuse, temperature jumper, flow meter
Heated Seat	Seat Temperature	4 levels Room temp to 104F (40C)
	Seat Heater Capacity	45W
	Safety Device	Temperature sensor, temperature fuse
Dryer	Temperature Adjustment	4 levels Room temp to 104F (40C)
	Heater Capacity	200W
	Safety Device	Double-sheet metal switch, temperature fuse, temperature sensor
Ambient Temperature Range		37.4° - 104°F (3° - 40°C)
Water Supply Temperature Range		37.4° - 95°F (3° - 35°C)
Deodorizer		Activated carbon, 1.5W



IMPORTANT: Dimensions are nominal and may vary within the range of tolerance per NSI Standard A112.19.2. These measurements are subject to change. No responsibility is assumed for use of superseded or voided pages.

For use with potable water only. Do not use with recycled water.

This product is for use on a nominal 120V circuit and a GFCI (ground-fault circuit interrupter) receptacle is required for use. Please consult a qualified electrician.

Codes/Standards:

- Meets or exceeds ASME A112.4.2/CSA B45.16-2021, UL 1431, CSA C22.2 #68, CSA C22.2 #64
- Certifications: IAPMO(cUPC), State of Mass
- Code compliance: cUPC, IPC, NPC Canada and others