

# BRIZO®

## KITCHEN FAUCETS

- Frank Lloyd Wright® Kitchen Collection by Brizo®
- Single Handle Deck Mount

### FEATURES:

- DIAMOND Seal® Technology
- MagneDock® Magnetic Docking
- Touch-Clean® Spray Head

### STANDARD SPECIFICATIONS:

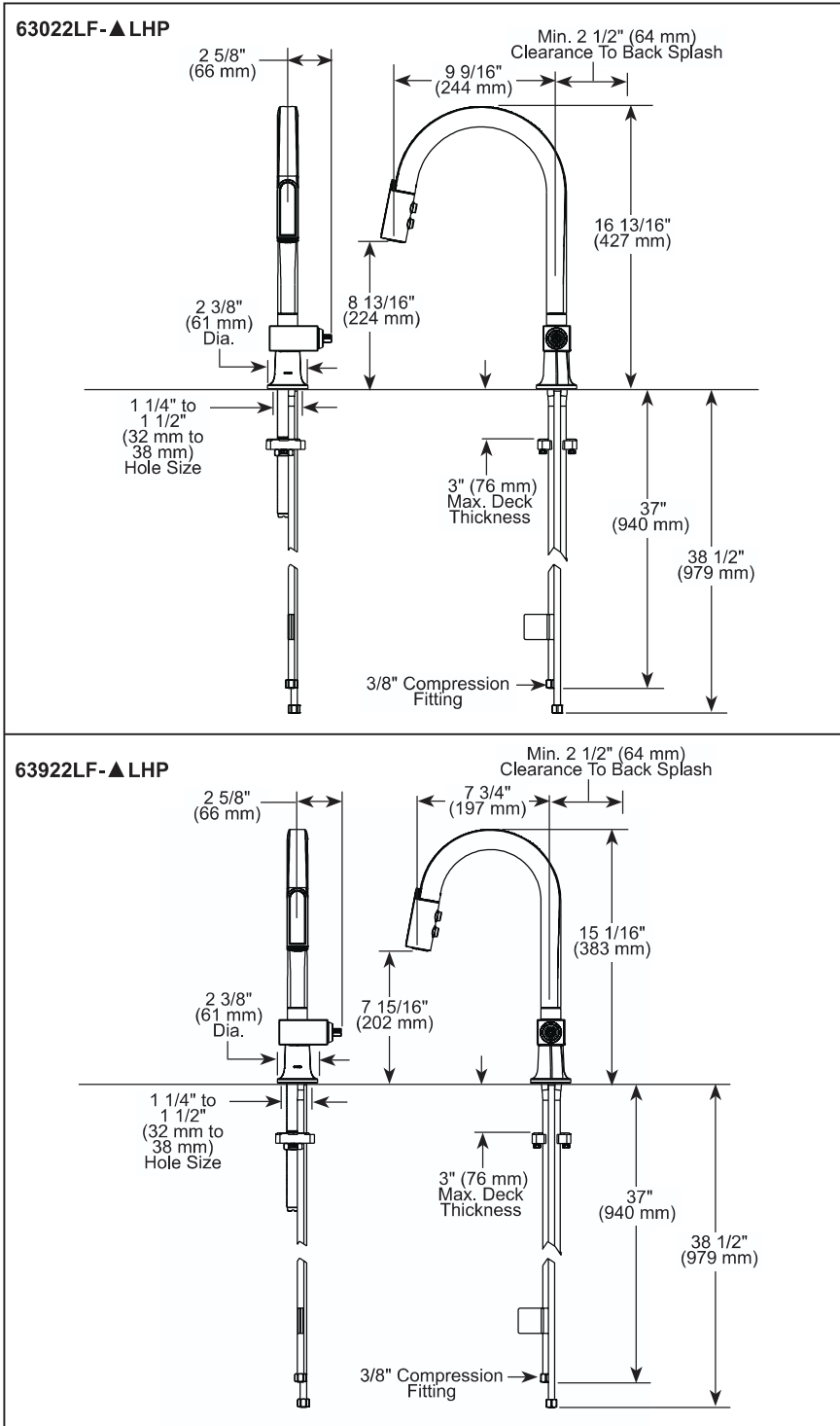
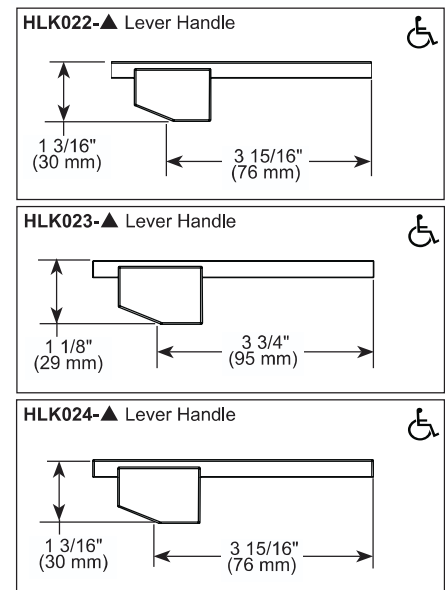
- Max flow rate 1.8 gpm @ 60 psi, 6.8 L/min @ 414 kPa
- One hole mount
- Spout rotates 360°
- Ceramic cartridge
- Quick connect hoses
- Two-function wand: Aerated stream or spray
- Dual integral check valves in sprayer
- Handles sold separately. See handle options below

### WARRANTY

- Parts and Finish - Lifetime limited warranty; or for commercial purchasers, 10 years for multi-family residential (apartments and condominiums) and 5 years for all other commercial uses, in each case from the date the product is received by the original purchaser or their authorized representative (installation contractor, etc.).
- Electronic Parts and Batteries (if applicable) - 5 years from the date the product is received by the original purchaser or their authorized representative (installation contractor, etc.); or for commercial purchasers, 1 year from the date the product is received by the original purchaser or their authorized representative (installation contractor, etc.). No warranty is provided on batteries.
- Please go to [www.brizo.com](http://www.brizo.com) for the complete details of our limited warranty.

### COMPLIES WITH:

- ASME A112.18.1 / CSA B125.1
- ASME A112.18.6
- ICC/ANSI A117.1 - Valve control only



▲ Designate proper finish suffix

Brizo Kitchen & Bath Company reserves the right (1) to make changes in specifications and materials, and (2) to change or discontinue models, both without notice or obligation. Dimensions are for reference only. See current full-line price book or [www.brizo.com](http://www.brizo.com) for finish options and product availability.

BSP-K-63022LF-LHP Rev. A

**Brizo Kitchen & Bath Company**  
 55 E. 111th Street, Carmel, IN 46280  
 350 South Edgeware Road, St. Thomas, ON N5P 4L1  
 © 2024 Brizo Kitchen & Bath Company