

## SPECIFICATIONS

### DESCRIPTION

- 1/2" inlet female NPT
- Flow levers operate counterclockwise through 180 degree arc with shut off at 6 o'clock and maximum flow at the 12 o'clock position. Shut off in clockwise direction

### FLOW

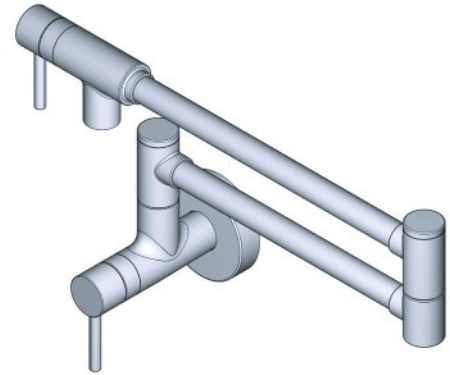
- 20.8 L/min, 5.5 gpm (US) 60psi

### STANDARDS

- ASME A112.18.1 / CSA B125.1
- NSF 61/9 & 372: Q ≤ 1
- ADA

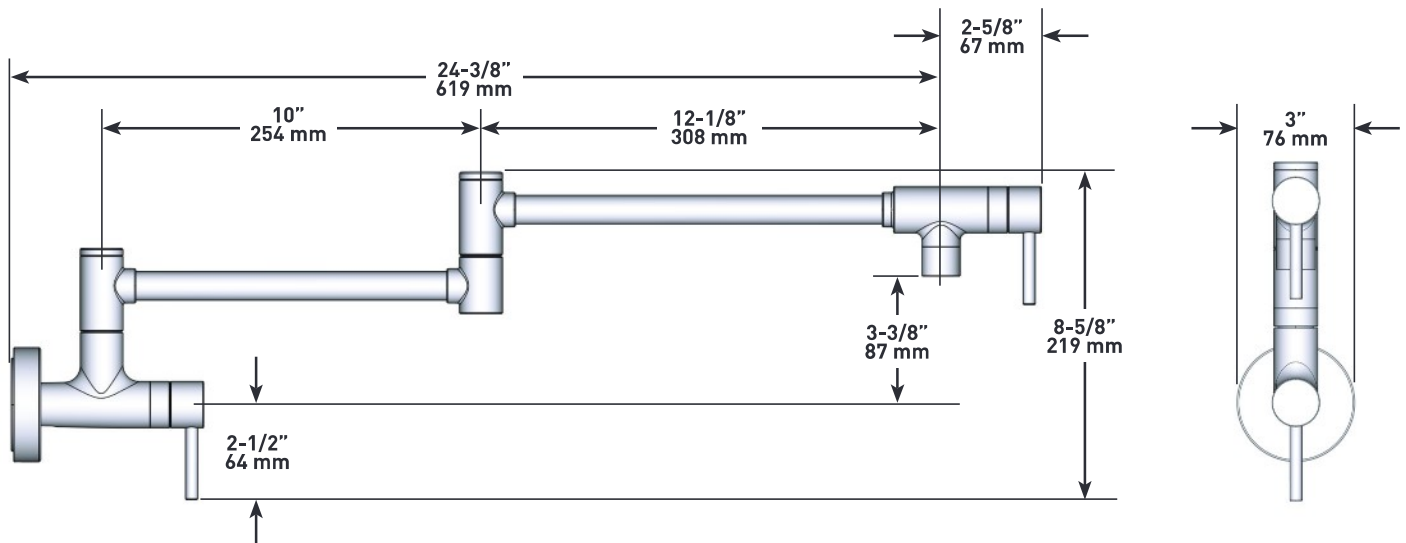
### WARRANTY

- Most products or parts carry "Limited Warranties" against manufacturing defects. For US customers please visit [houseofrohl.com/support](http://houseofrohl.com/support) and for Canadian customers please visit [houseofrohl.ca/support](http://houseofrohl.ca/support) for complete product and finish warranty.



**AZURE**  
Pot Filler

**MODELS:** AZ900 SERIES



**For warranty or additional information, contact:**

**US Customers**

U.S.A.  
[houseofrohl.com/support](http://houseofrohl.com/support)  
1-800-777-9762

**Canadian Customers**

QUEBEC / MARITIMES / WESTERN CANADA  
QUÉBEC / MARITIMES / OUEST CANADIEN  
QUEBEC / MARITIMOS / CANADA OCCIDENTAL  
[houseofrohl.ca/support](http://houseofrohl.ca/support)  
1-866-473-8442

ONTARIO  
[houseofrohl.ca/support](http://houseofrohl.ca/support)  
1-800-287-5354