

SPECIFICATIONS

DESCRIPTION

- Ceramic cartridge
- 3/8" speedway compression
- Push drain

FLOW

- 4.5 L/min, 1.2 gpm (US) @60psi

STANDARDS

- ASME A112.18.1 / CSA B125.1
- NSF 61/9 & 372: Q ≤ 1
- ADA

WARRANTY

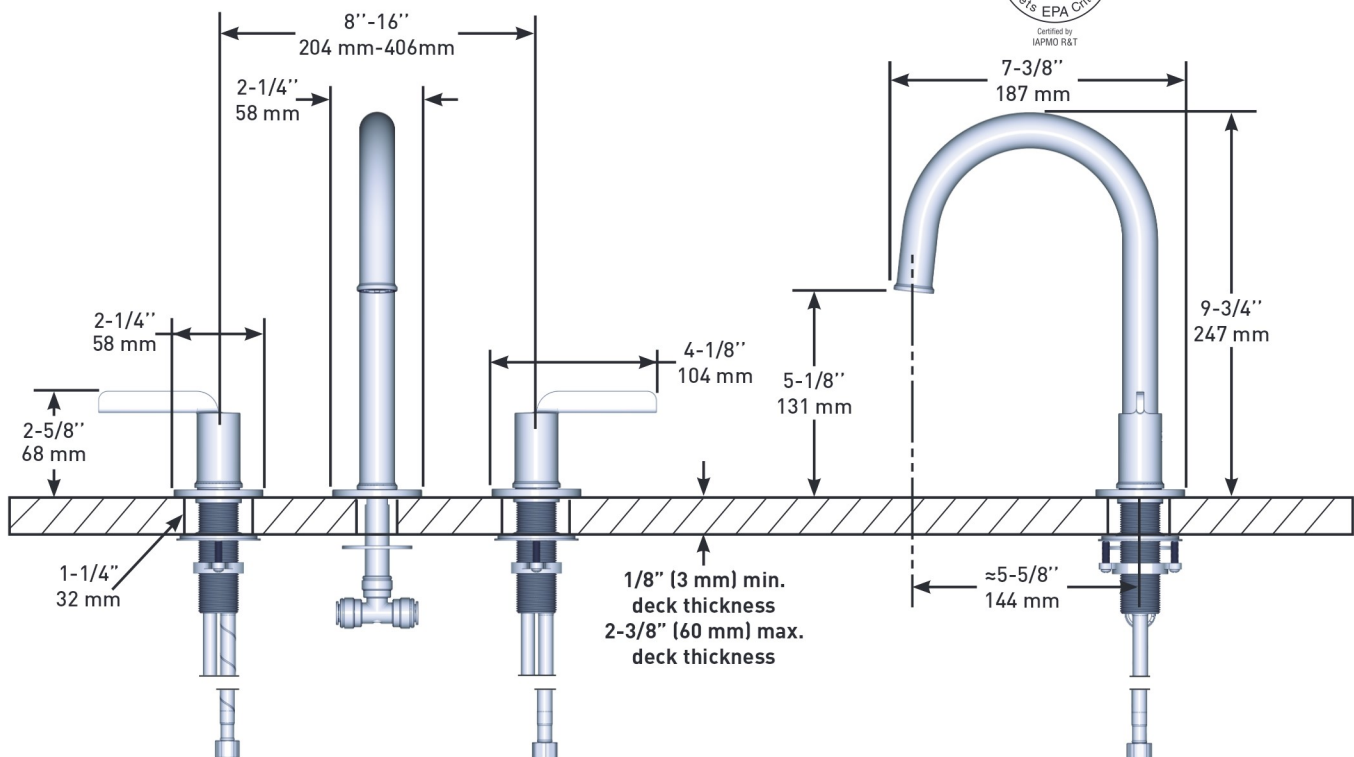
- Most products or parts carry "Limited Warranties" against manufacturing defects. For US customers please visit houseofrohl.com/support and for Canadian customers please visit houseofrohl.ca/support for complete product and finish warranty.



AUTHENTICA

8" Lavatory Faucet

MODELS: AURD08 SERIES



For warranty or additional information, contact:

U.S.A.
houseofrohl.com/support
 1-800-777-9762

QUEBEC / MARITIMES / WESTERN CANADA
 QUÉBEC / MARITIMES / OUEST CANADIEN
 QUEBEC / MARITIMOS / CANADA OCCIDENTAL
houseofrohl.ca/support
 1-866-473-8442

ONTARIO
houseofrohl.ca/support
 1-800-287-5354