

SPECIFICATIONS

DESCRIPTION

- 1/2" inlet female NPT
- Flow levers operate counterclockwise through 180 degree arc with shut off at 6 o'clock and maximum flow at the 12 o'clock position. Shut off in clockwise direction

FLOW

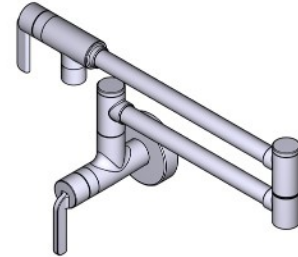
- 20.8 L/min, 5.5 gpm (US) 60psi

STANDARDS

- ASME A112.18.1 / CSA B125.1
- NSF 61/9 & 372: Q ≤ 1
- ADA

WARRANTY

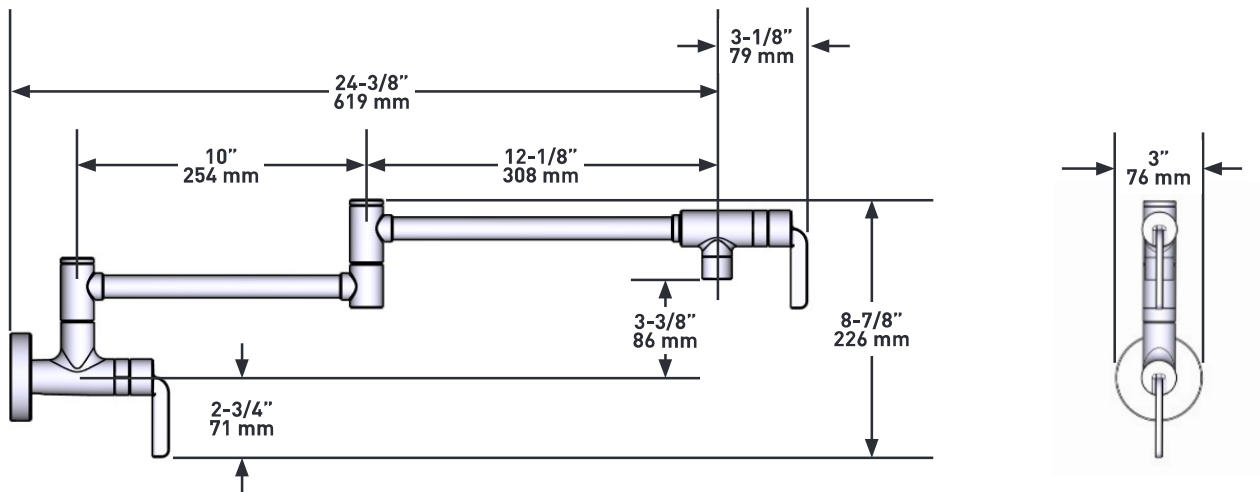
- Most products or parts carry "Limited Warranties" against manufacturing defects. For US customers please visit houseofrohl.com/support and for Canadian customers please visit houseofrohl.ca/support for complete product and finish warranty.



AUTHENTICA

Pot Filler

MODELS: AU900



For warranty or additional information, contact:

U.S.A.
houseofrohl.com/support
 1-800-777-9762

QUEBEC / MARITIMES / WESTERN CANADA
 QUÉBEC / MARITIMES / OUEST CANADIEN
 QUEBEC / MARITIMOS / CANADA OCCIDENTAL
houseofrohl.ca/support
 1-866-473-8442

ONTARIO
houseofrohl.ca/support
 1-800-287-5354