

## SPECIFICATIONS

### DESCRIPTION

- Boomerang™ pull-down technology seamlessly integrates sprayer into the spout while returning it quickly and easily to the sprayer's original position
- Dual-spray functionality with stream and spray settings

### FLOW

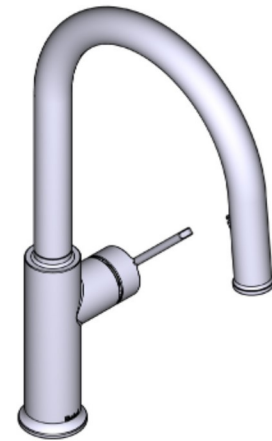
- 5.69 L/min, 1.5 gpm (US) 60psi

### STANDARDS

- ASME A112.18.1 / CSA B125.1
- NSF 61/9 & 372: Q ≤ 1
- ADA

### WARRANTY

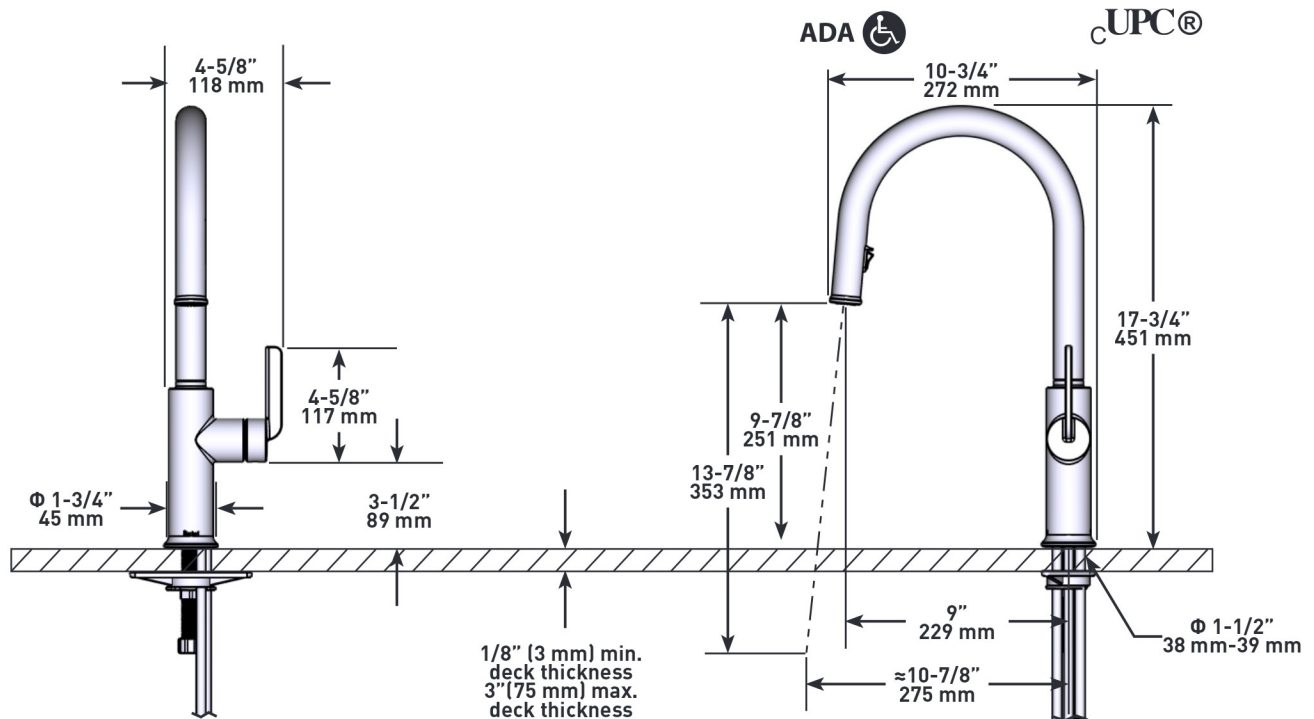
- Most products or parts carry "Limited Warranties" against manufacturing defects. For US customers please visit [houseofrohl.com/support](http://houseofrohl.com/support) and for Canadian customers please visit [houseofrohl.ca/support](http://houseofrohl.ca/support) for complete product and finish warranty.



### AUTHENTICA

Kitchen Faucet with Spray

**MODELS:** AU201



**For warranty or additional information, contact:**

U.S.A.  
[houseofrohl.com/support](http://houseofrohl.com/support)  
 1-800-777-9762

QUEBEC / MARITIMES / WESTERN CANADA  
 QUÉBEC / MARITIMES / OUEST CANADIEN  
 QUEBEC / MARITIMOS / CANADA OCCIDENTAL  
[houseofrohl.ca/support](http://houseofrohl.ca/support)  
 1-866-473-8442

ONTARIO  
[houseofrohl.ca/support](http://houseofrohl.ca/support)  
 1-800-287-5354