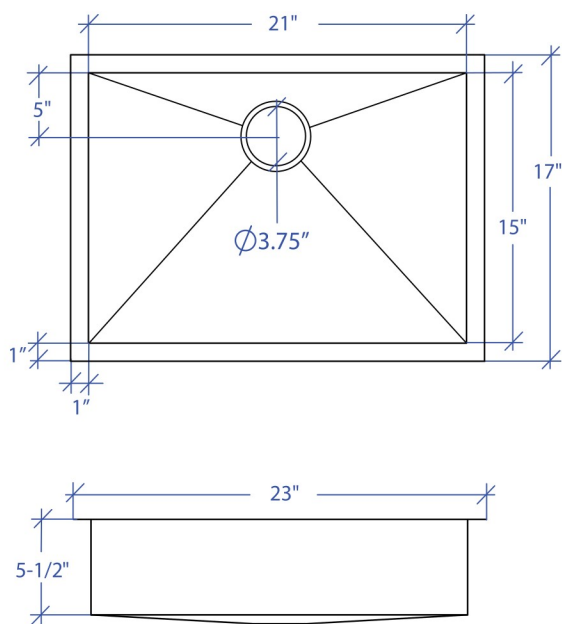


FLATIRON ADAMUS-502GPSB



*Custom ADA compliant versions are available



• FEATURES

- 16-gauge type 304 stainless steel
- 90° zero radius design

• TECHNICAL INFORMATION

- External dimension: 23"Lx17"Wx5.5"D
- Basin dimensions: 21"Lx15"Wx5.5"D

• FINISHES

- Graphite PVD Satin Brushed stainless steel

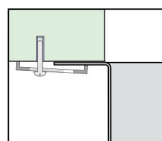
• INSTALLATION OPTIONS

- Under-mount

• MINIMUM CABINET SIZE (I.D.)

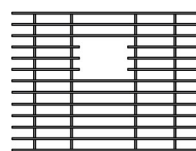
- Under-mount 26"

• DUAL-MOUNT INSTALLATION

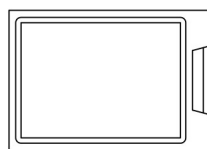


Under-mount

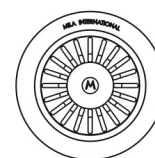
• ACCESSORY OPTIONS



MBG-054GPSB
Basin Grid



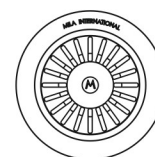
MCB-501BB
Cutting Board



MKD-101GPSB
Strainer



MDC-101GPSB
Disposal Collar



MDC-102GPSB
Disposal Collar

PROJECT INFORMATION			
Project			
Date	/ /	QTY	
Specifier			
Contact			
Note			