



## EXPOSED WALL MOUNTED DUAL CONTROL THERMOSTATIC SHOWER MIXER

ROHL Country Bath Arcana

- AC407L** (Ornate Metal Levers)
- AC407LM** (Classic Metal Levers)
- AC407OP** (Ornate Porcelain Levers)
- AC407X** (Cross Handles)

### FEATURES

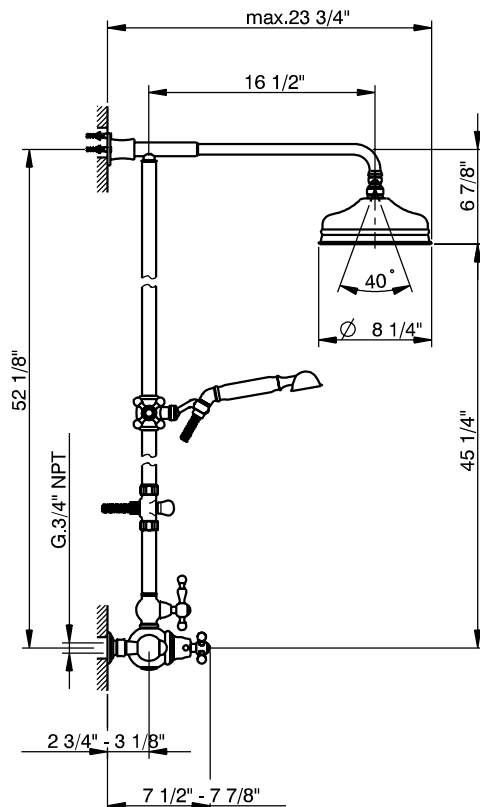
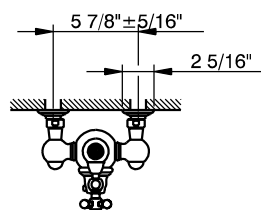
- Riser, diverter, handshower and showerhead included
- Exposed thermostatic valve with volume control
- Includes single function handshower with sliding parking bracket and 8 9/32" diameter single function showerhead with swivel connection
- 19 11/16" reach shower arm
- Inlets 5 7/8 +/- 5/16" center-to-center
- Inlets 3/4" female
- Integrated service stops
- Flow rate 2 GPM @ 60 PSI for handshower and showerhead
- Cross handle only available on temperature control for AC407X

### COLORS/FINISHES

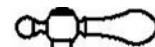
- Polished Chrome
- Polished Nickel
- Satin Nickel
- Tuscan Brass
- Inca Brass

### WARRANTY

- Limited Lifetime\*
- \*No warranty on Tuscan Brass finish



OP Lever Option



LP Lever Option

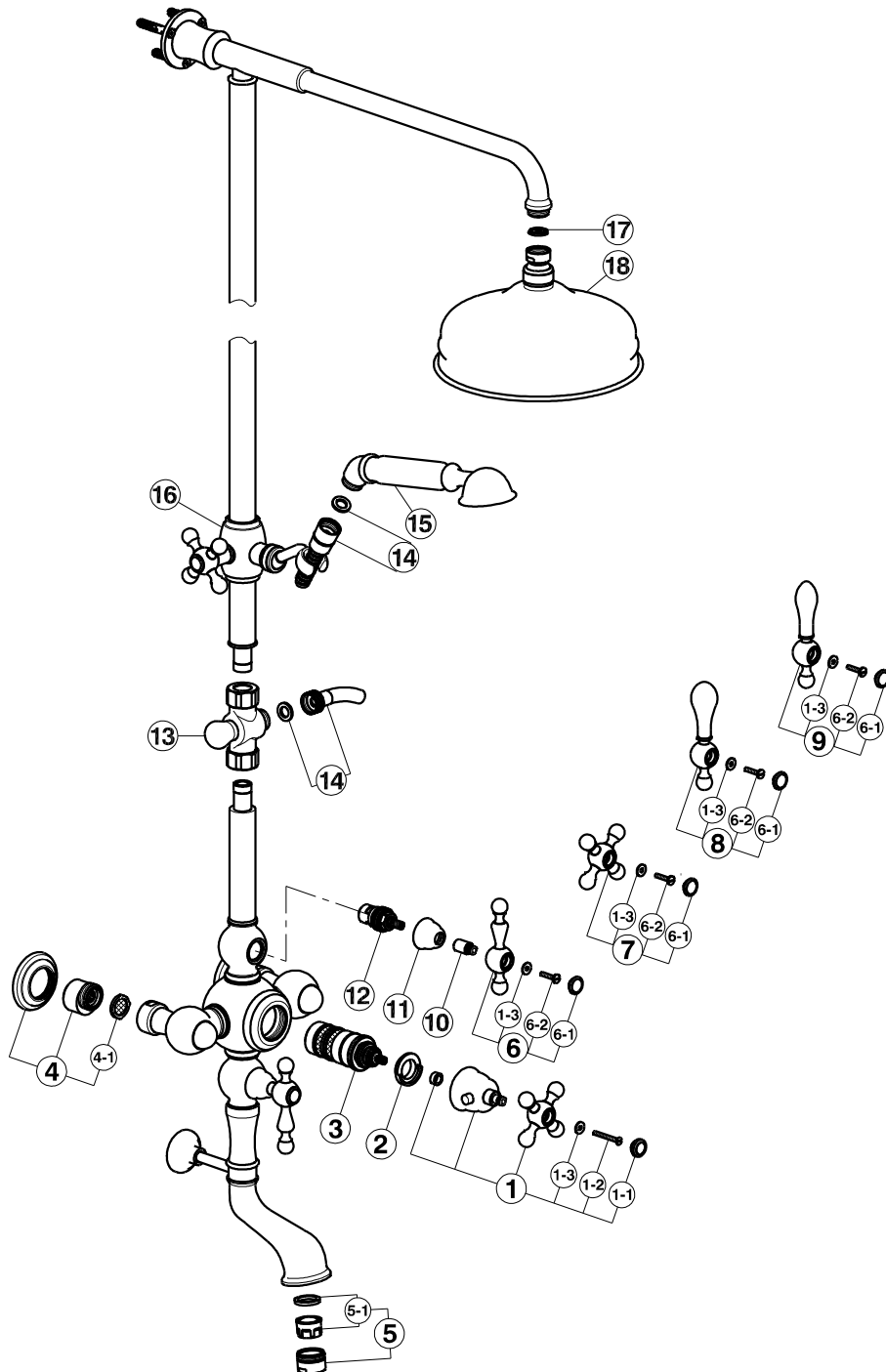


X Handle Option



L Lever Option

## SPARE PARTS



## SPARE PARTS

### SPARE PARTS

1	Handle - temperature set-up	ZZ 95890 0
1-1	Cap for handle	ZZ 95891 0
1-2	Screw M4x35	ZZ 95892 0
1-3	Ring 12x4.3x1	ZZ 92673 0
2	Temperature control device	ZZ 95893 0
3	Thermostatic cartridge	ZZ 95894 0
4	Connectors with escutcheon and gaskets	ZZ 95895 0
4-1	Gasket	ZZ 95896 0
5	Mousseur M28x1 IC	ZZ 92837 0
5-1	Mousseur cartridge M28x1 IC	ZZ 92694 0
6	Lever with screw and cap "AA"	ZZ 92974 0
6-1	Cap for handle	ZZ 92617 0
6-2	Screw M4x20	ZZ 92650 0
7	Handle with screw and cap "AC"	ZZ 93701 0
8	Lever with screw and cap "AP"	ZZ 93704 0
9	Lever with screw and cap "AM"	ZZ 95163 0
10	Extension	ZZ 92671 0
11	Escutcheon headvalve	ZZ 92652 0
12	Ceramic headvalve	ZZ 92907 0
13	Automatic diverter	ZZ 95898 0
14	Flex L150 1/2"x1/2" conic	ZA 00901 0
15	Handshower	ZZ 93628 0
16	Sliding bracket for shower	ZZ 95899 0
17	2.5 gpm flow rate control device	ZZ 95900 0
18	Handshower	DS 01614 0

# ROHL.

Authentic Luxury for Kitchen and Bath®

[www.rohlhome.com](http://www.rohlhome.com)

## INSTALLATION INSTRUCTIONS

# cisal

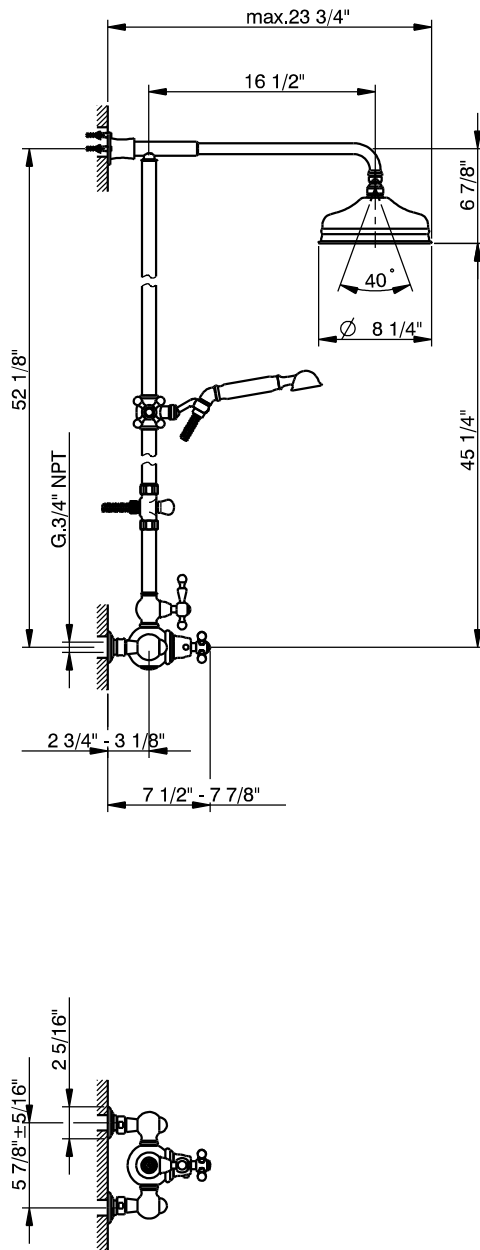
ROHL.  
Authentic Luxury for Kitchen and Bath™

**AC 407 L**  
**AC 414 L**  
**AC 407 X**  
**AC 414 X**  
**AC 407 OP**  
**AC 414 OP**  
**AC 407 LM**  
**AC 414 LM**

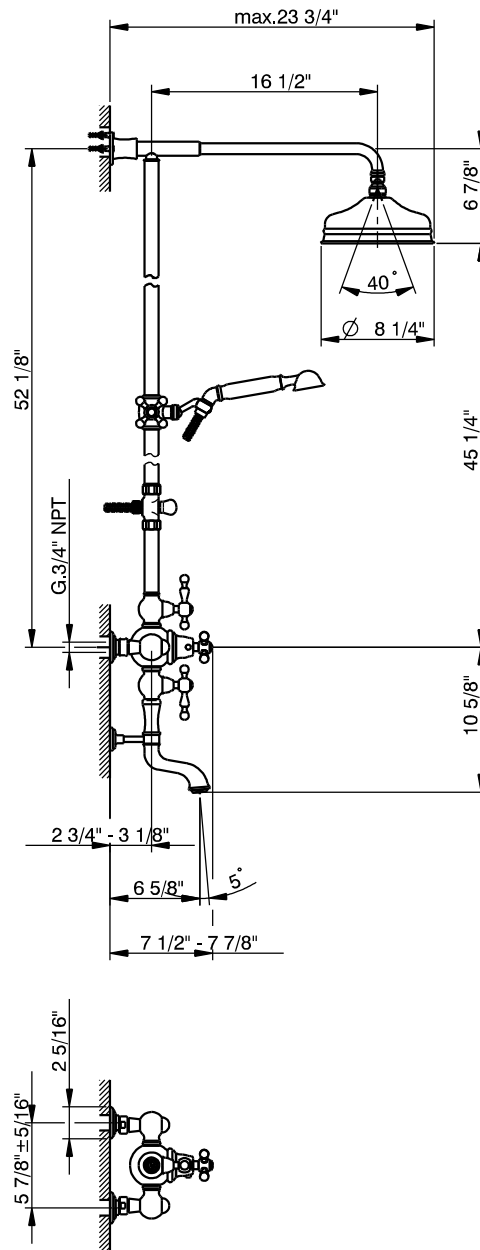
Technical Product Information



## INSTALLATION INSTRUCTIONS

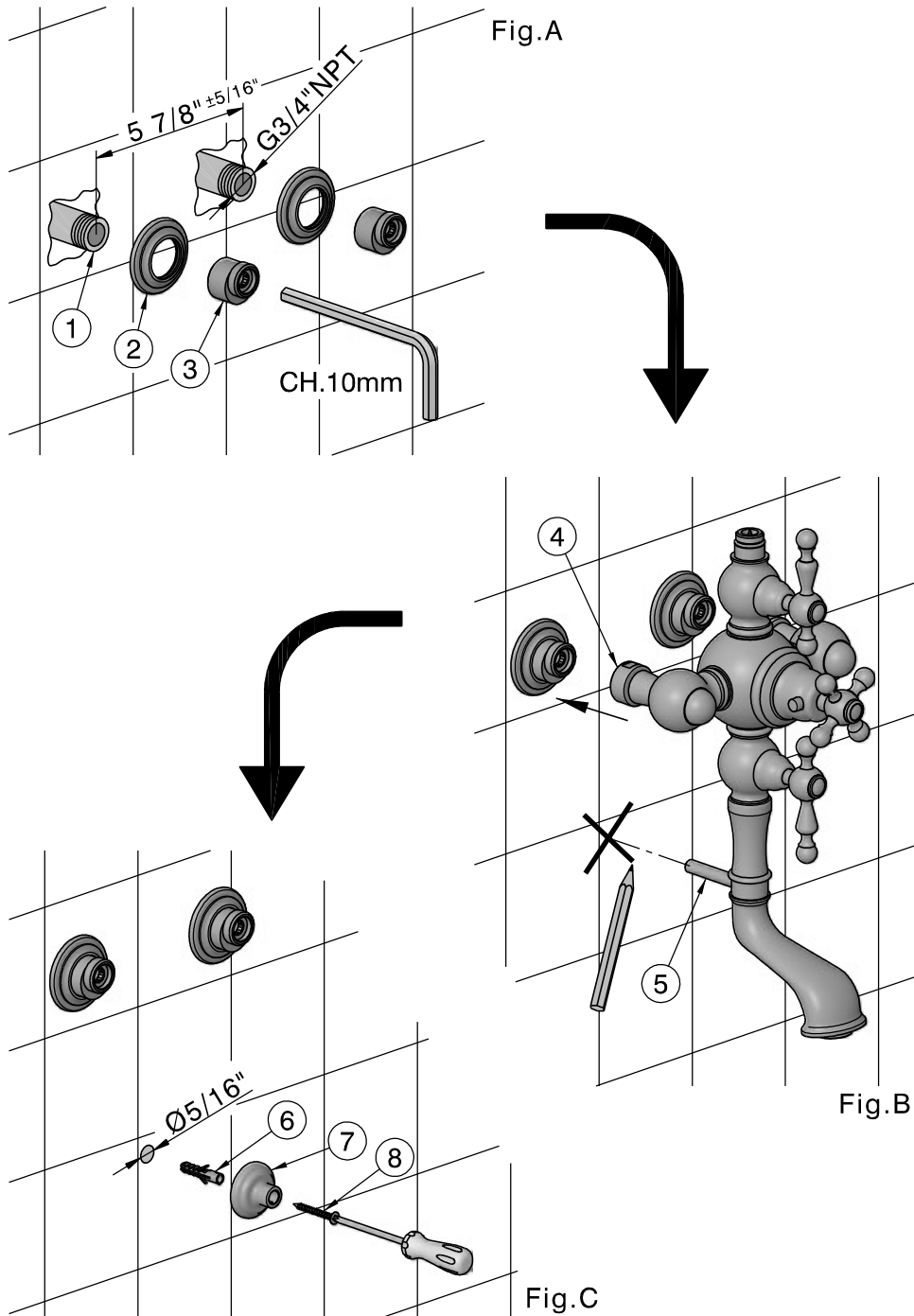


AC 407 L

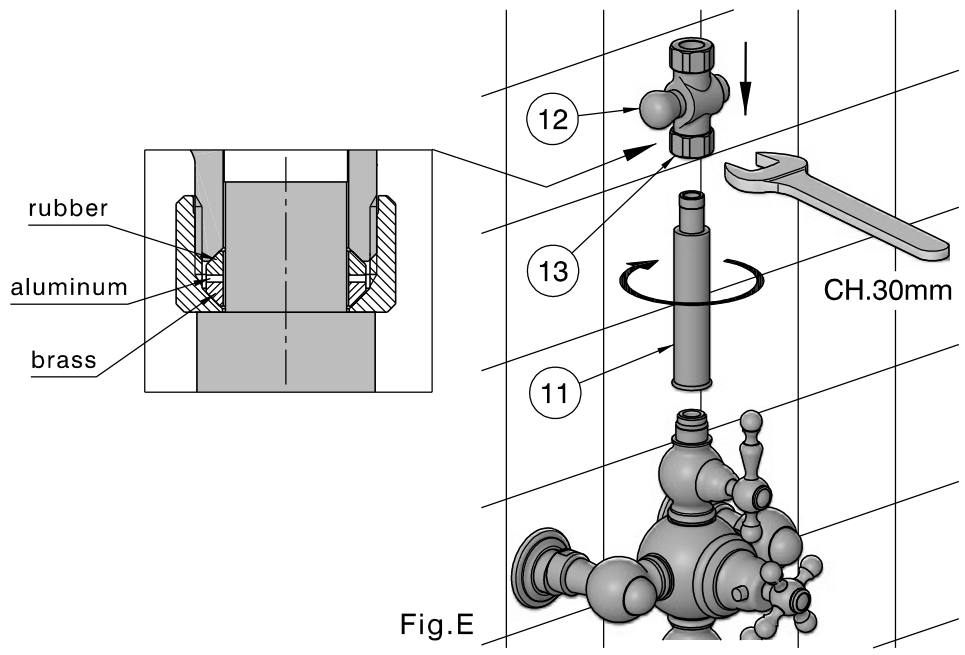
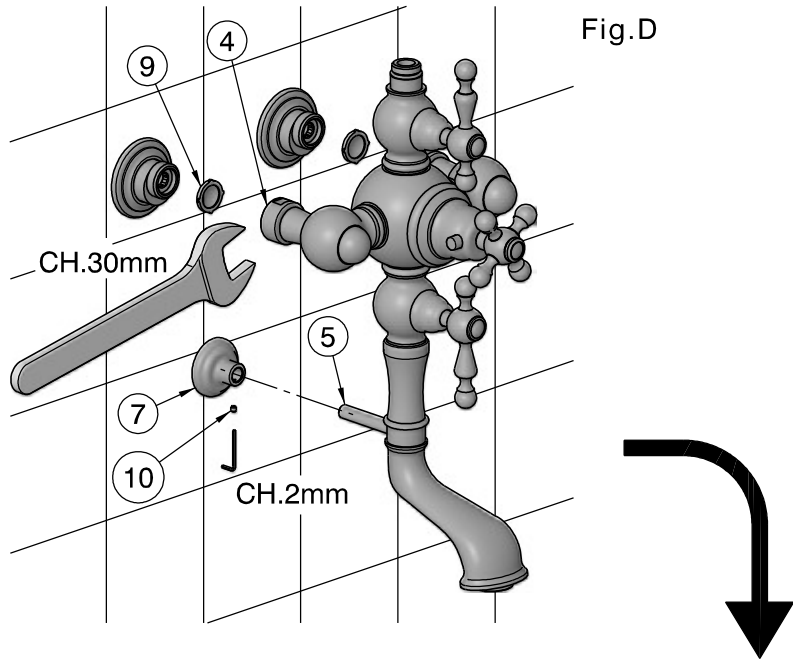


AC 414 L

## INSTALLATION INSTRUCTIONS



## INSTALLATION INSTRUCTIONS



## INSTALLATION INSTRUCTIONS

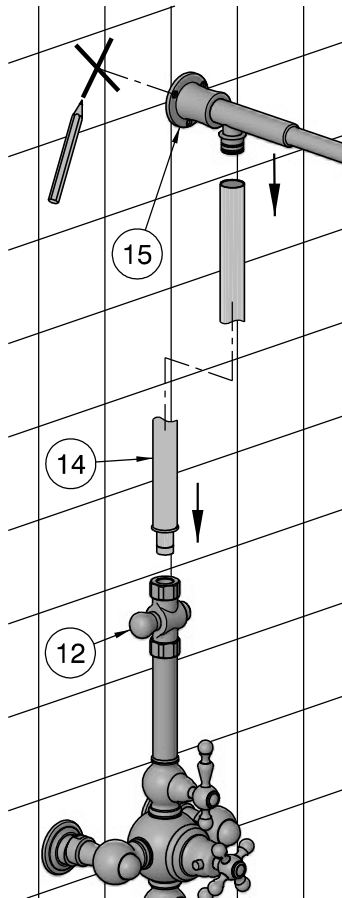


Fig.F

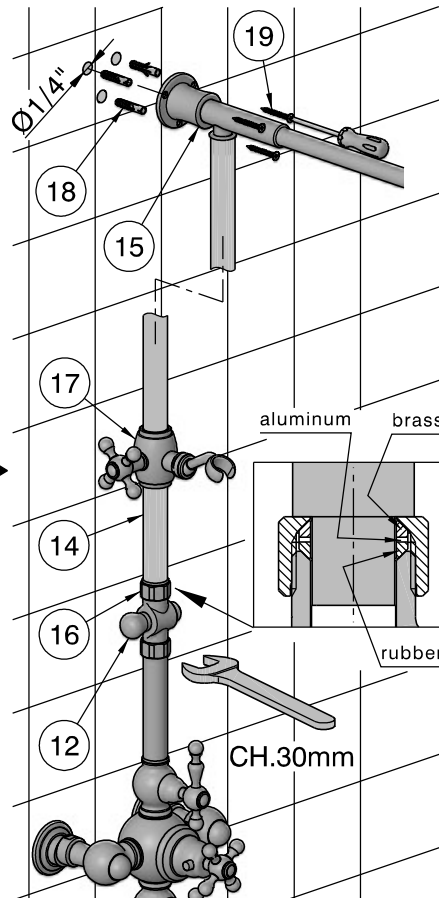


Fig.G

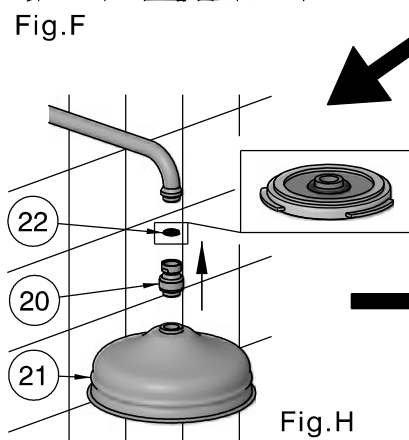


Fig.H

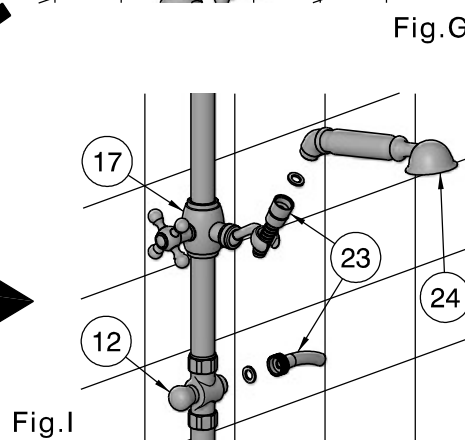


Fig.I

## INSTALLATION INSTRUCTIONS

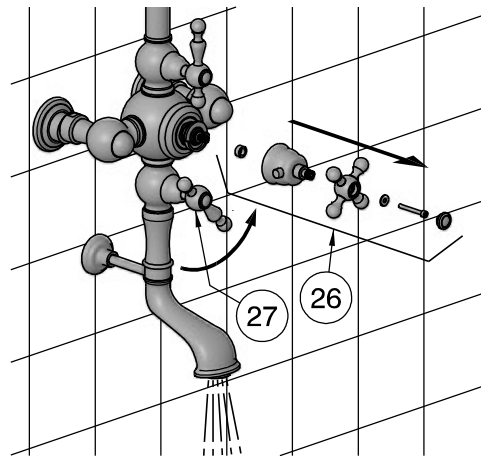
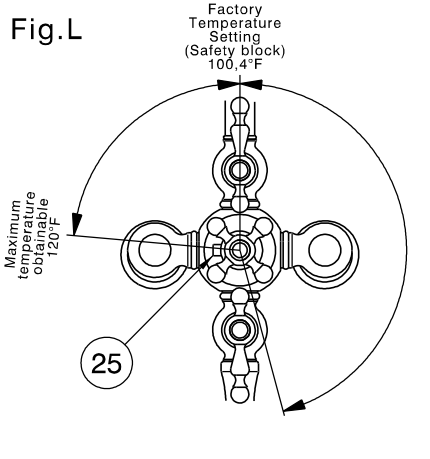


Fig.M

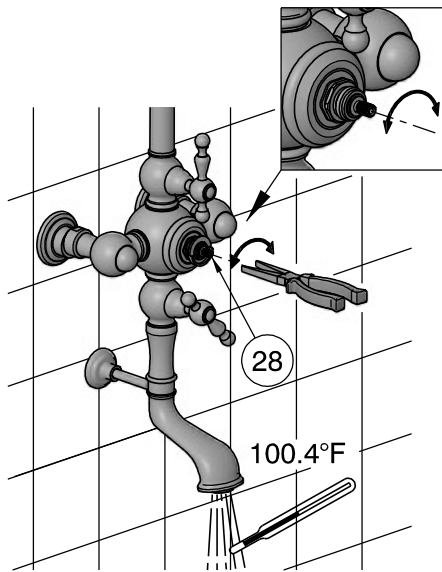


Fig.N

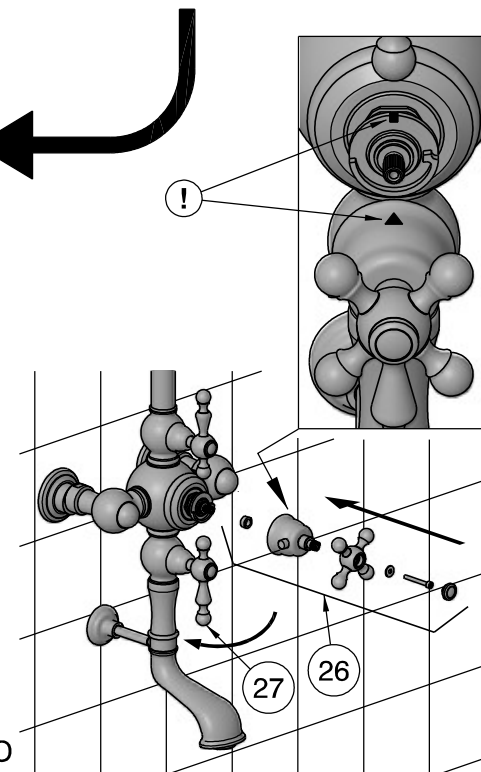
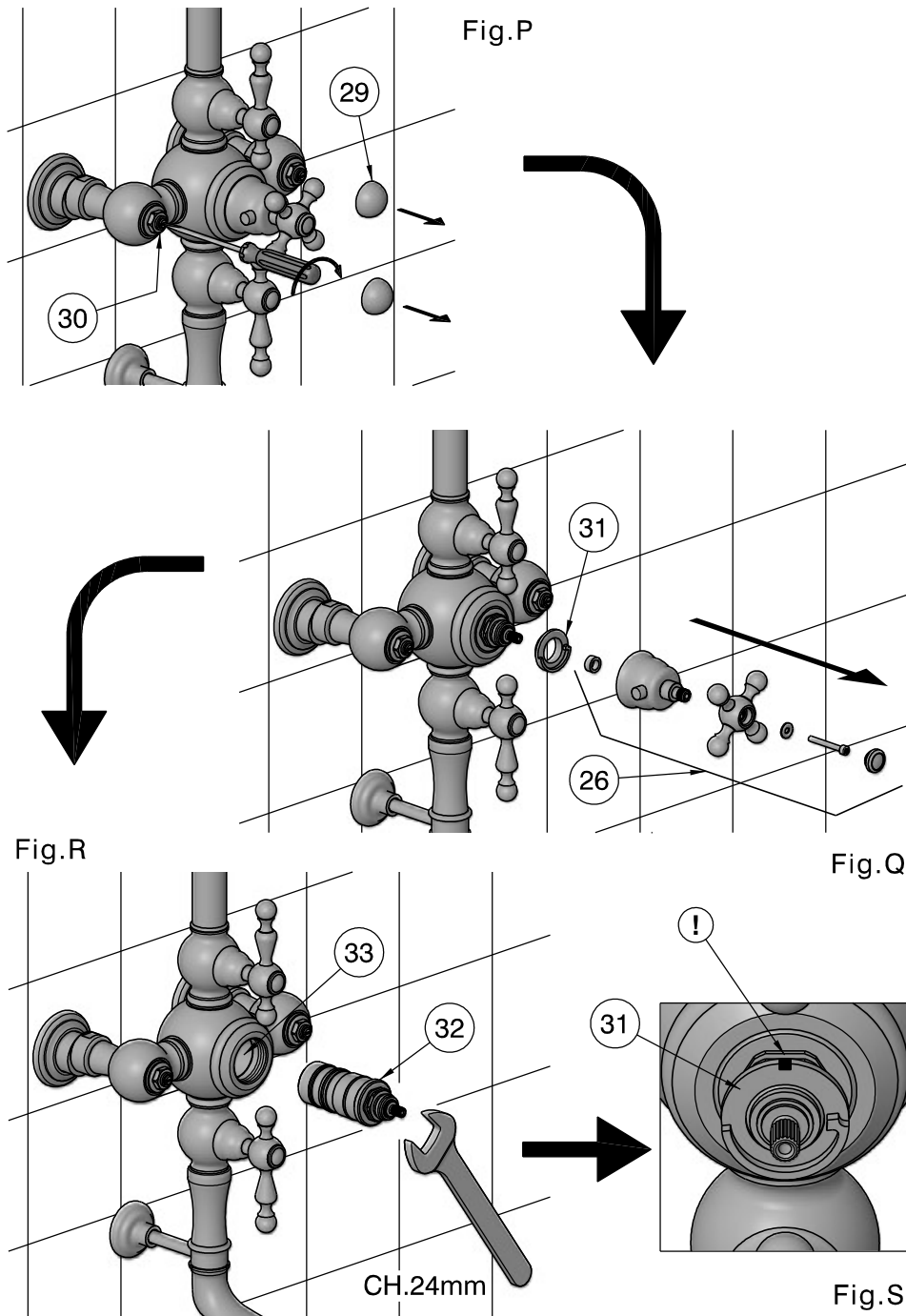


Fig.O

## INSTALLATION INSTRUCTIONS



## INSTALLATION INSTRUCTIONS

### INTRODUCTORY INFORMATION

#### To installer:

Please read carefully this Instructions Manual before beginning to fit the product. After use, leave it to the End-User.

#### To End-User:

Please do not throw this Instructions Manual away. Keep it as a maintenance guide for keeping your mixer as efficient as it is now

#### WARNING:

In the case of a risk of frost, empty the domestic system, fully open the stop valve and unscrew the cartridge in order to completely empty the thermostatic mixer (Fig. O-P)

### HOT WATER SUPPLY

The thermostatic mixers are suitable for hot water supplied by pressure tanks.

For operation with local electric or gas water heaters, ensure that these have a rating of at least 18 KW or 250 Kcal/min. For local gas heaters it is advisable to use equipment with an automatic regulation of the quantity of gas in relation to the water flow.

**WARNING: thermostatic mixers cannot be used with unpressurised hot water tanks.**

### SPECIFICATIONS:

- Minimum dynamic pressure . . . . . 14.5 psi
- Maximum working pressure (static) . . . . . 72.5 psi
- Recommended working pressure (static) . . 29 psi  
(N.B. for pressures higher than 72.5 psi the installation of a pressure reducer is recommended)
- Maximum hot water temperature supply from water heater . . . . . 185 °F
- Minimum hot water temperature supply from water heater . . . . . +40 °F  
higher than the temperature of the required mixing water
- Recommended hot water temperature supply from water heater . . . . . 149 °F
- Factory temperature setting (safety block) . 100.4 °F
- Maximum temperature obtainable . . . . . 120 °F
- Hot water connection . . . . . left
- Cold water connection . . . . . right
- Flow rate at 100.4 °F . . . . . see diagram

Pressure	Flow rate	
	Spout	Showerhead <small>(without 2.5gpm flow limit device)</small>
14.50 psi	3.4 gpm	3.0 gpm
29.00 psi	4.8 gpm	4.3 gpm
43.50 psi	5.9 gpm	5.3 gpm
58.00 psi	6.8 gpm	6.1 gpm
72.50 psi	7.7 gpm	6.8 gpm

### INSTALLATION

- Thoroughly rinse the water feed pipes
- For an easy and fast fitting of the valve, ends of pipes (1) must be threaded 3/4"NPT male, with centre measurement 5 7/8 (±5/16") [fig.A]
- Fit the escutcheons (2) on the connectors (3) [fig.A]
- Screw the connectors (3) inside the pipes (1), using a 10mm Allen wrench [fig.A]
- Fit the valve to the connectors (3), then screw alternatively the union nuts (4) by hands and mark the position of the pin (5) for the drilling [Fig.B].
- Disassemble the valve and drill the wall (Ø5/16") [Fig.C]

- Introduce expander (6) inside the 5/16" fixing hole and fix the escutcheon (7) with the screw (8) [Fig.C]
- Insert gaskets (9) into union nuts (4) and fit the valve to the connectors (3)
- Then screw alternatively the union nuts (4) using a 30mm wrench and tighten them[fig.D]
- Insert the pin (5) into the escutcheon (7) and screw the locking pin (10) using a 2mm Allen wrench [Fig.D]
- Screw the short tube (11) on the valve and fit the diverter (12) on the tube (11) [fig.E]
- Verify the correct position of the conic gaskets into the union nuts (13) and screw it using a 30mm wrench [fig.E]
- Assemble the long tube (14) on the diverter (12), assemble the shower arm (15) on the long tube (14) and mark the position for the drilling [fig.F]
- Disassemble the shower arm (15), the long tube (14) and drill the wall (Ø1/4") [fig.G]
- Introduce expanders (18) inside the 1/4" fixing holes [fig.G]
- Fit the long tube (14) on the diverter (12) [fig.G]
- Verify the correct position of the conic gaskets into the union nuts (16) and screw it using a 30mm wrench [fig.G]
- Fit the sliding support of the shower (17) on the long tube (14) [fig.G]
- Insert the shower arm (15) on the long tube (14) and fix it with screw (19) to the wall [fig.G]
- Screw the ball joint (20) on the shower head (21), after inserting the 2.5 gpm flow control device gasket (22-optional) and afterwards screw the shower head onto the shower arm (15) [fig.H]
- Connect the flexible hose (23) onto the diverter (12) and onto the sliding support (17) [fig.I]
- Screw the shower (24) to the flexible hose (23) [fig.I]

### OPERATION

The temperature regulation is limited to 100.4 °F by means of a temperature control device. If a higher temperature is required, press the safety button (25) fitted to the temperature regulation knob. The maximum temperature obtainable is 120 °F [fig.L].

### TEMPERATURE CALIBRATION

(to be done only when necessary)

This Valve has been calibrated in factory under balanced pressures and hot water supply temperature at 149 °F. When your own operating conditions are too different from the above, the temperature of the mixed water delivered by the valve may vary from the settings.

When difference is too great you can adjust the calibration of the valve to suit the individual requirements of your own installation.

Following carefully these instructions:

- disassemble the temperature control handle (26) and open the flow rate control handle (27) [fig.M]
- with a pincer, turn the cartridge rod (28) to adjust the temperature until you achieve 100.4 °F at your thermometer [fig.N]
- close the flow rate control handle (27) and assemble the temperature control handle (26) so that the laser mark is upwards (as at 12 hours) [fig.O]

### CLEANING OF FILTERS - REMOVING THE CARTRIDGE

This thermostatic valve is provided with a filtering facility, preventing foreign particles to enter. Filters are fitted on the cartridge.

According to water quality and composition, filters may become dirty, causing reduced flow and unefficient working of the valve. Same problems may be caused by scale brought by water inside the cartridge.

## INSTALLATION INSTRUCTIONS

To clean filters and remove scale from the cartridge, just follow these instructions:

- unscrew the escutcheons (29) and turn off the hot water and cold water shut off valves (30) [fig.P]
- disassemble the temperature control handle (26) and the temperature control device (31) [fig.Q]
- unscrew the cartridge (32) using a 24mm wrench [fig.R]
- clean filters and rinse under water flow
- in order to remove scale, leave the cartridge to soak into vinegar or a descaling solution for one night
- then rinse carefully under water flow
- before reassembling the cartridge into the valve, clean its housing (33) with a wet cloth and grease the O-Rings on the cartridge [Fig.R]
- reassemble the cartridge (32) and fit the temperature control device (31) so that the red mark is upwards (as at 12 hours) [fig.S]
- turn on the hot water and cold water shut off valves (30) and screw the escutcheons (29) [fig.P]
- Now calibrate the temperature according to Chapter "TEMPERATURE CALIBRATION"

### FINISH CARE

1. Wipe down after use to avoid spotting
2. Use soft brush for detail cleaning
3. Do not use spray cleaners with ammonia, alcohol or bleach
4. Do not use abrasives like Comet, Ajax or Bonami.

Finish	Cleaning	Care
Chrome	50-50 Vinegar and water	Flitz wax or Gagnon
Inca Brass	50-50 Vinegar and water	Do not use Flitz Gagnon ok - Wrights Silver cream
Polished Nickel	50-50 Vinegar and water	Flitz wax or Gagnon
Satin Nickel	50-50 Vinegar and water	Flitz wax or Gagnon
Tuscan Brass	Pat dry after use	Flitz wax or Gagnon

For water spotting on chrome , polished nickel or satin nickel, use Wrights silver polish cream or Simichrome paste

### WARRANTY

This product is covered by warranty for two years from date of purchase, stated by cash receipt.

Chrome plating is covered by warranty for five years.

The warranty does not cover faults or damages caused by incorrect installation and/or maintenance, ordinary wear and tear, water composition, i.e.:

- incorrect installation, inversion of supply pipes
- pressures or temperatures exceeding specified limits
- improper manipulation, tampering, incorrect or missed maintenance
- foreign bodies and/or scale brought by water, ice, ordinary wear, water composition
- use of improper cleaning or maintenance products or substances

There is no warranty on the finish Tuscan Brass

**NON-COMPLIANCE WITH THE ABOVE INSTRUCTIONS WILL RENDER THE WARRANTY INVALID**

INDICATION OF MALFUNCTION	CAUSE OR DIAGNOSIS	POSSIBLE REMEDIES	FURTHER ATTENTION
The water does not get hot enough, but there is variation in temperature.	<ol style="list-style-type: none"> <li>1. The valve is pre-set at the factory. The temperature range can not be changed.</li> <li>2. The temperature difference from the water supply is less than 35,6°F.</li> <li>3. On demand water heater cannot keep up with the demand of the valve.</li> <li>4. Too much pressure difference of the water supply.</li> </ol>	<ol style="list-style-type: none"> <li>1. Change the cartridge.</li> <li>2. Check the hot water temperature from water heater.</li> <li>3. - 4. Consult your plumber - a professional need to diagnose the problem.</li> </ol>	Do not automatically change the cartridge.
On the cold setting, there is hot water, and on the hot setting, there is cold water. There is no mix of hot and cold at all.	The lines could be reversed. <b>The plumber must take this decision.</b>	The cartridge must have hot in the hot side and vice versa. Have the plumber verify by leading the pipes, or removing the cartridge, that the water lines are reversed before switching the lines.	Switching the pipes can be expensive. The diagnosis must be done at the home.
The water temperature does not change when the handle is moved.	<ol style="list-style-type: none"> <li>1. The cartridge stem is not contacting the handle assembly.</li> <li>2. The adaptor in the handle assembly may be missing.</li> <li>3. The cartridge might be faulty.</li> </ol>	<ol style="list-style-type: none"> <li>1. You may need an extension kit.</li> <li>2. You may need an handle assembly.</li> <li>3. Change the cartridge.</li> </ol>	Do not automatically change the cartridge.
After a period of time, the water gets cold. It starts out hot but then goes cold	You might be running out of hot water. Ask how long, in minutes, this takes to happen.	Thermostatic valves can run at 7 gallons per minute. Find out the water heater capacity and divide by length of the shower in minutes for a function i.e. 50 gallon capacity divided by a .5205 flow of 8 gpm = approx 6 minutes hot water.	Do not automatically change the cartridge.
The flow gradually decreases.	There could be debris in the line.	Clean the filters and flush the lines according to the instructions.	Do not automatically change the cartridge.
The flow stops.	The built in safety feature is stopping flow immediately if there is a flow stop in one of the supply lines.	<ol style="list-style-type: none"> <li>1. The valve could be operating properly.</li> <li>2. There could be complete blockage in one of the supply lines.</li> </ol>	Do not automatically change the cartridge.
There is no flow on start-up.	<ol style="list-style-type: none"> <li>1. There could be complete blockage in one of the supply lines.</li> <li>2. The shut off valves may be closed.</li> <li>3. The one way valves may not be opening.</li> <li>4. There could be a problem in the volume control.</li> </ol>	<ol style="list-style-type: none"> <li>1. Clean the filters and flush the lines according to the instructions.</li> <li>2. Check the shut off valves.</li> <li>3. Check the one way valves are installed correctly.</li> <li>4. Check the volume control is working.</li> </ol>	Do not automatically change the cartridge.
Noise in the valve.	<ol style="list-style-type: none"> <li>1. Debris is causing noise.</li> <li>2. Check the one way valves.</li> </ol>	<ol style="list-style-type: none"> <li>1. Flush the system.</li> <li>2. Change the one way valve.</li> </ol>	The valve cannot make noise by itself. Changing the cartridge is the last option.

# ROHL

Authentic Luxury for Kitchen and Bath®

[www.rohlhome.com](http://www.rohlhome.com)

## INSTALLATION INSTRUCTIONS

# ROHL

Authentic Luxury for Kitchen and Bath™

**ROHL LLC**  
3 PARKER  
IRVINE, CA 92618-1605 USA  
TEL: 714-557-1933  
FAX: 714-557-8635



**cisal**  
RUBINETTERIA

**Rubinerterria CISAL S.p.A.**

Via Pietro Durio, 160 - 28010 Alzo di Pella (Novara) - Italia  
Tel. +39.0322.918111 - Fax +39.0322.969518  
E-mail: [cisal@cisal.it](mailto:cisal@cisal.it) - [www.cisal.it](http://www.cisal.it)

Cod. 0100629000 Ediz. 09.10