

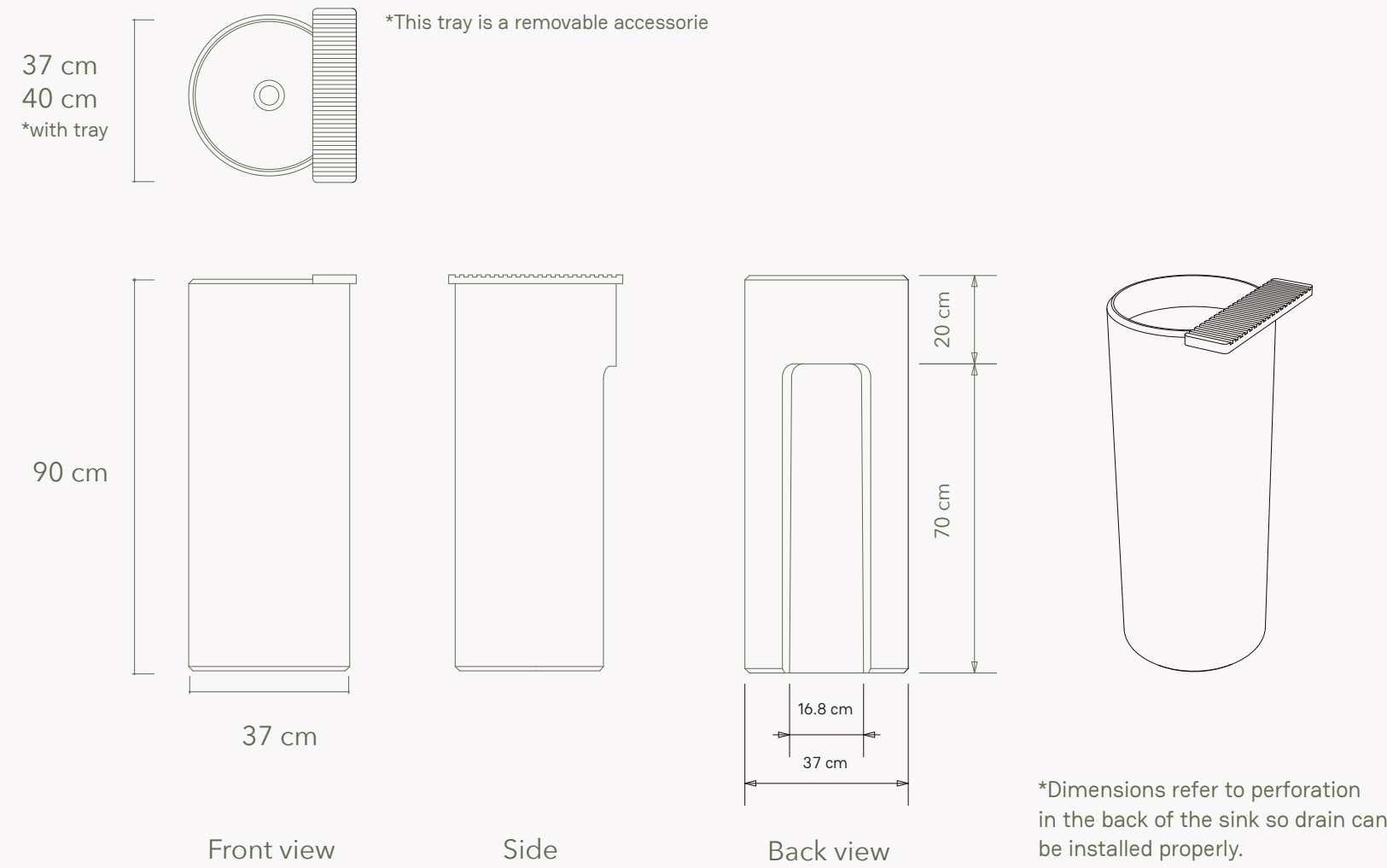


Konkretus.com

Ubud 06

Product Data Sheet

KONKRETUS



Installation Notes

Notas de Instalación

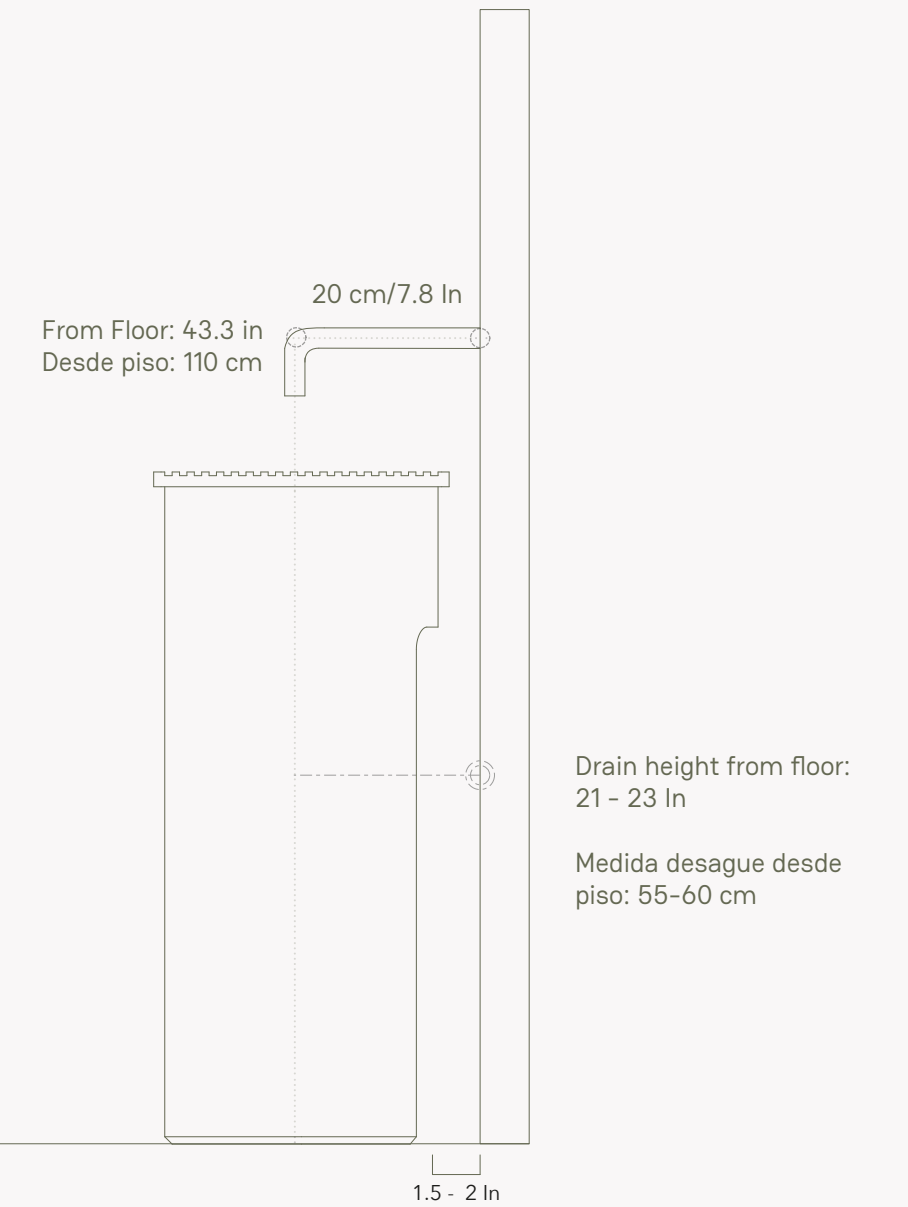
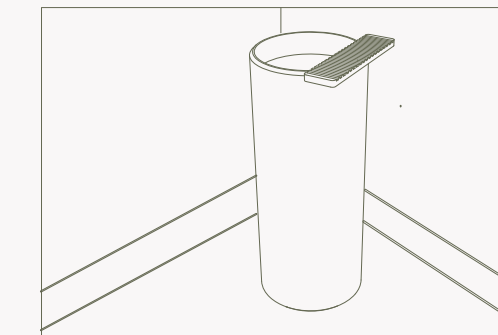
Recommended height for wall mounted taps
Altura recomendada para grifería de pared

The hole in the sink must face the wall to install the drain.

An approximate height of 43.3 In is suggested to install the faucet. If the faucet is wall-mounted, it is suggested that it be at least 7.8 In long to ensure proper use of the sink.

La perforación del lavamanos debe quedar hacia la pared para instalar el desagüe.

Se sugiere una altura aproximada de 110 cm para instalar la grifería. Si la grifería es de pared, se sugiere que tenga por lo menos 20 cm de largo para garantizar el correcto uso del lavamanos.



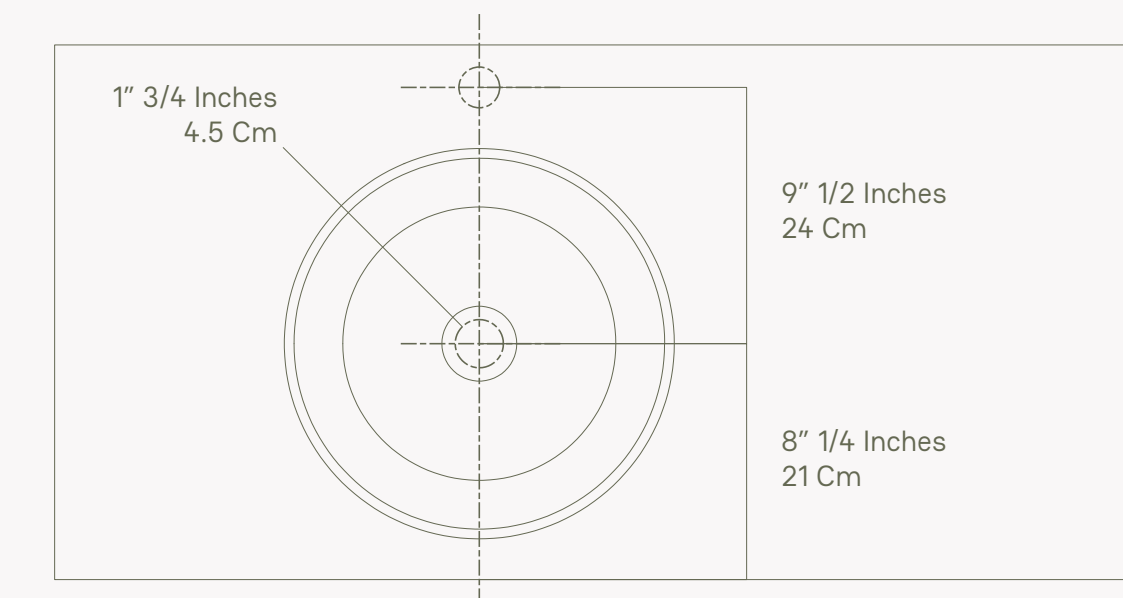
Scale 1:5

Note:
Illustrative images, may vary from the real product.

Recommended perforations for drain and countertop tap.

Perforaciones recomendadas para el desagüe y la grifería de mesón.

Note:
These are recommended and may vary, verify before intallate.



Dimensions

Dimensiones

Height Altura	35.4" Inches - 90 Cm 35.4" Pulgadas - 90Cm
Width Ancho	14.5" Inches - 37 Cm 14.5" Pulgadas - 37 Cm
Depht Profundidad	15.7" Inches - 40 Cm 15.7" Pulgadas - 40 Cm

Weight

Peso

207.2 Pounds - 94 Kg
207.2 Libras - 94 Kg

Material

Material

Concrete
Concreto

Note:
These are approximate and may vary.