

TS295

Harmony 2-Way Pressure Balance Shower Trim Kit
with Hand Shower

artos®

OPERATING SPECIFICATIONS



MIXED WATER TEMPERATURE

Maximum: 120°

OPERATING TEMPERATURE

Maximum: 176°

Minimum: 50°

Minimum difference between hot mixed temperature 50°

OPERATING PRESSURE

Minimum: 20psi

Maximum: 125psi

Recommended: 30psi-90psi

Operating pressures (on hot and cold lines) should be kept as balanced as possible, in order to assure the maximum efficiency.

FLOW RATE

Shower Head: 1.8 USGPM

Shower Wand: 1.8 USGPM

MATERIAL

Solid Brass

REQUIREMENTS

Control Valve

STANDARDS

To view all standards, please visit product approvals in our learning hub at artos.us.com

All technical specifications, product details, and pricing are subject to change without prior notice. Artos makes every effort to ensure accuracy; however, errors or omissions may occur. It is the responsibility of the installer, designer, or purchaser to verify all critical dimensions, installation requirements, and compliance with applicable codes prior to use.

Artos assumes no liability for damages, losses, or injuries resulting from the use of this documentation or from product installation, operation, or maintenance performed outside of Artos instructions and applicable codes. Product warranties are limited to those expressly stated by Artos. Please refer to official warranty documentation for complete terms and conditions.

All drawings, manuals, and specifications are the property of Artos and may not be reproduced, distributed, or altered without prior written permission.

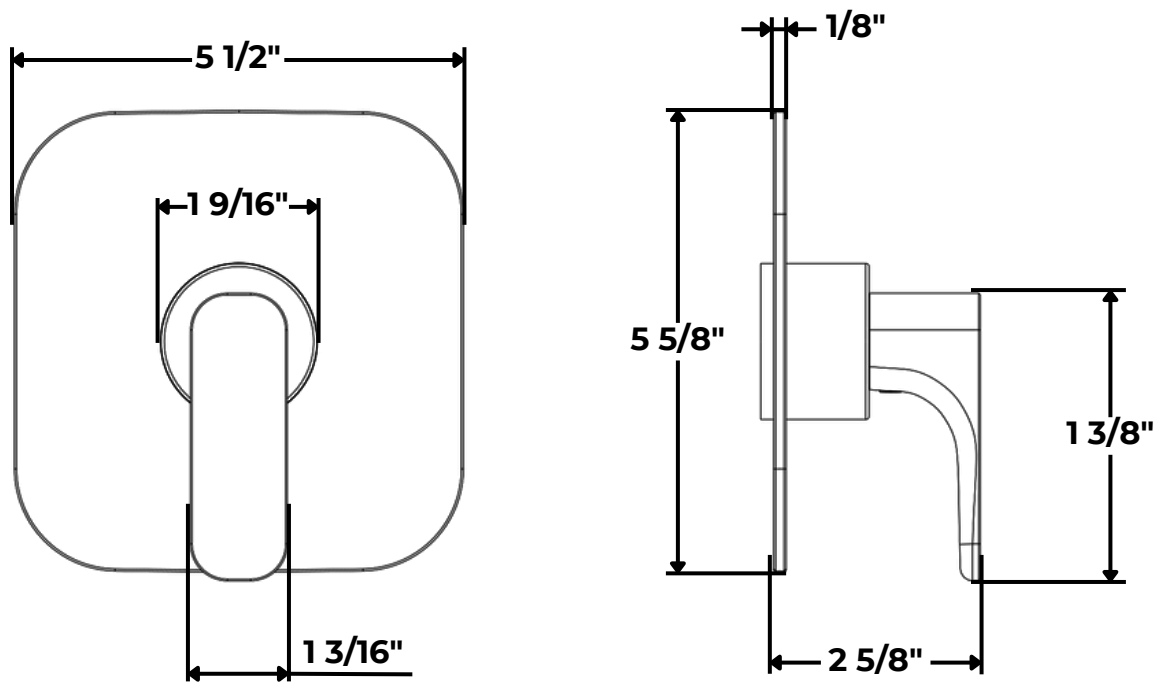
TS295

Harmony 2-Way Pressure Balance Shower Trim Kit
with Hand Shower

artos®

PRODUCT DIMENSIONS

PRODUCT SKU: F985TK



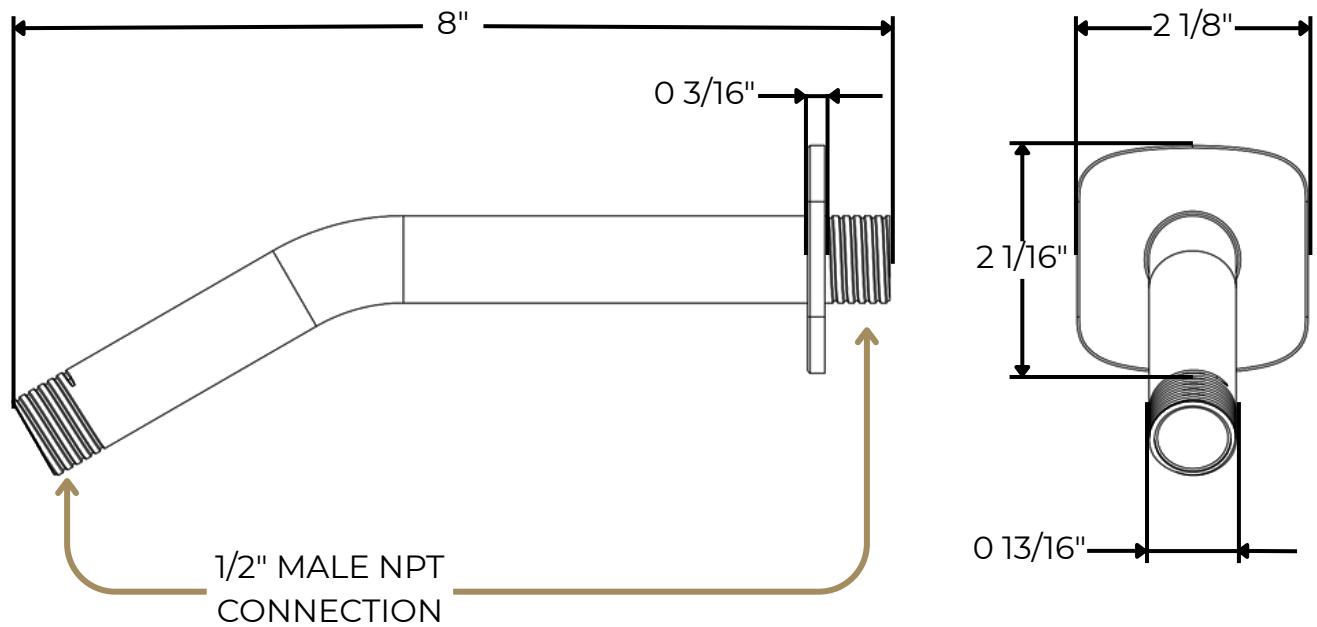
TS295

Harmony 2-Way Pressure Balance Shower Trim Kit
with Hand Shower

artos®

PRODUCT DIMENSIONS

PRODUCT SKU: F902-11TR



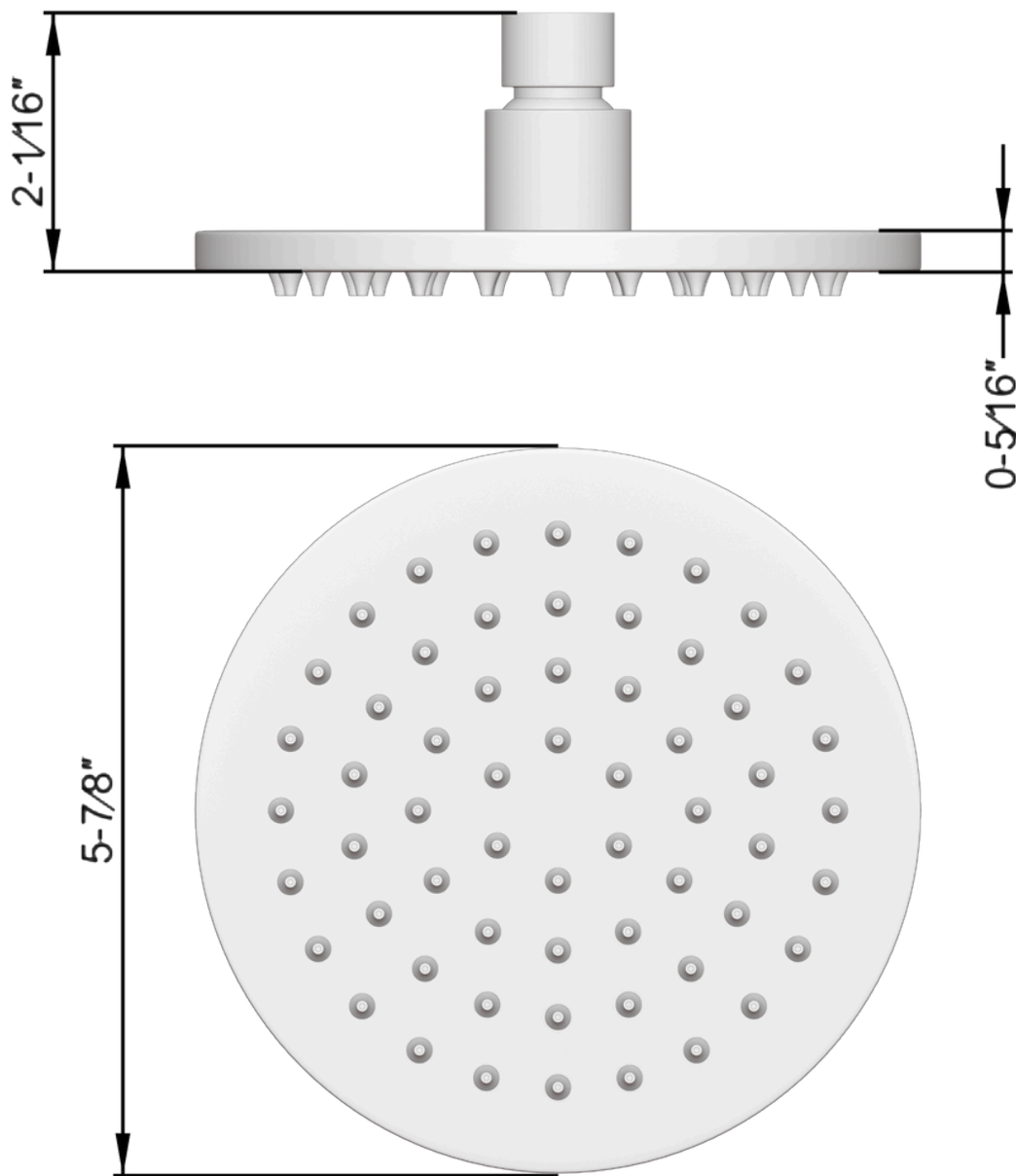
TS295

Harmony 2-Way Pressure Balance Shower Trim Kit
with Hand Shower

artos®

PRODUCT DIMENSIONS

PRODUCT SKU: F901-18



TS295

Harmony 2-Way Pressure Balance Shower Trim Kit
with Hand Shower

artos®

PRODUCT DIMENSIONS

PRODUCT SKU: F907-5TR

