

TS285

artos®

Classic 2-Way Pressure Balance Shower Trim Kit
with Hand Held Shower

OPERATING SPECIFICATIONS



INCLUDES

Showerhead & Arm
Valve Trim
Integrated Slidebar & Handheld Shower

OPERATING PRESSURE

Minimum: 15 psi
Maximum: 125 psi
Above 90psi it may be necessary to install
a pressure reducer

OPERATING TEMPERATURE

Maximum: 176°

FLOW CAPACITY

Shower Head: 1.8 USGPM
Handshower: 1.8 USGPM

STANDARDS

ASSE 1016-2011 | ASME_A112.1016-2011 |
CSA B125:16-11



TS285

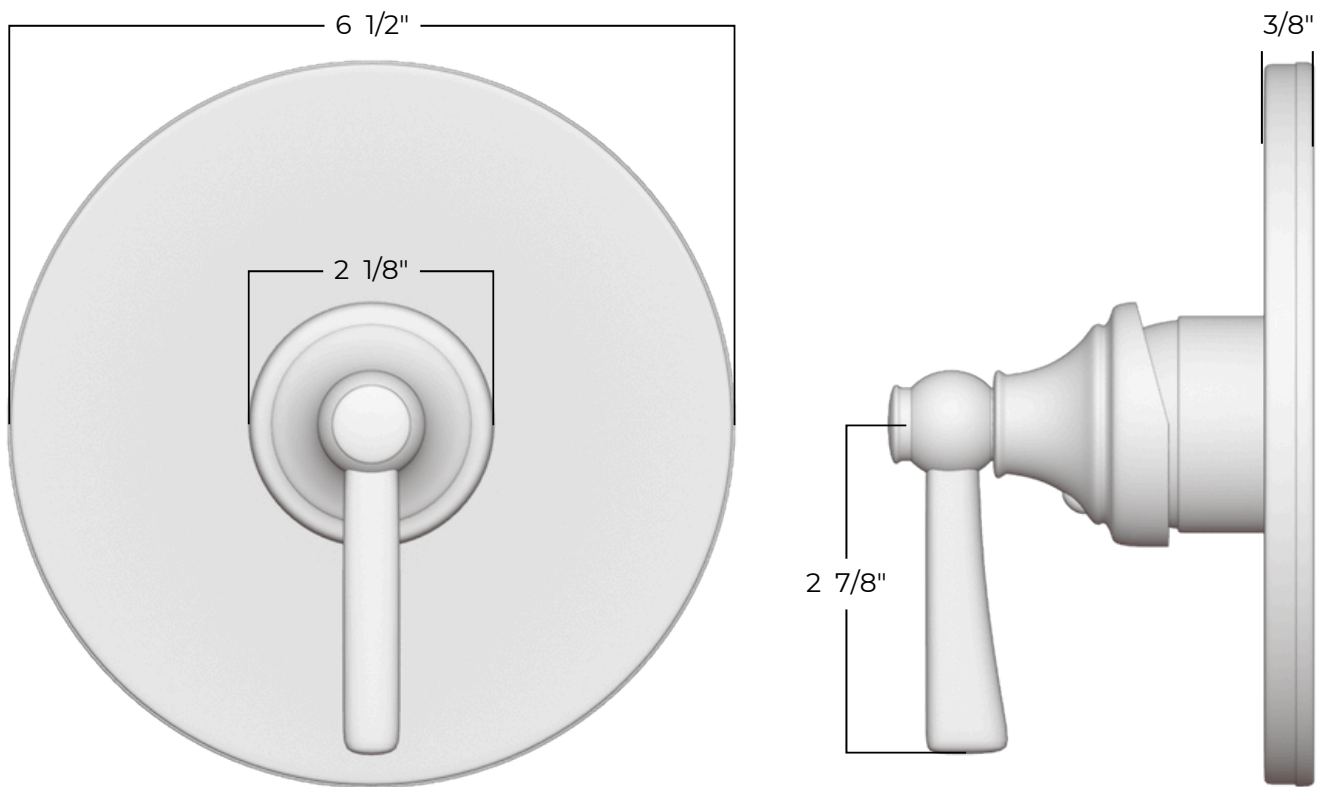
Classic 2-Way Pressure Balance Shower Trim Kit
with Hand Held Shower

artos®

PRODUCT DIMENSIONS

PRODUCT SKU

F962CLTK



TS285

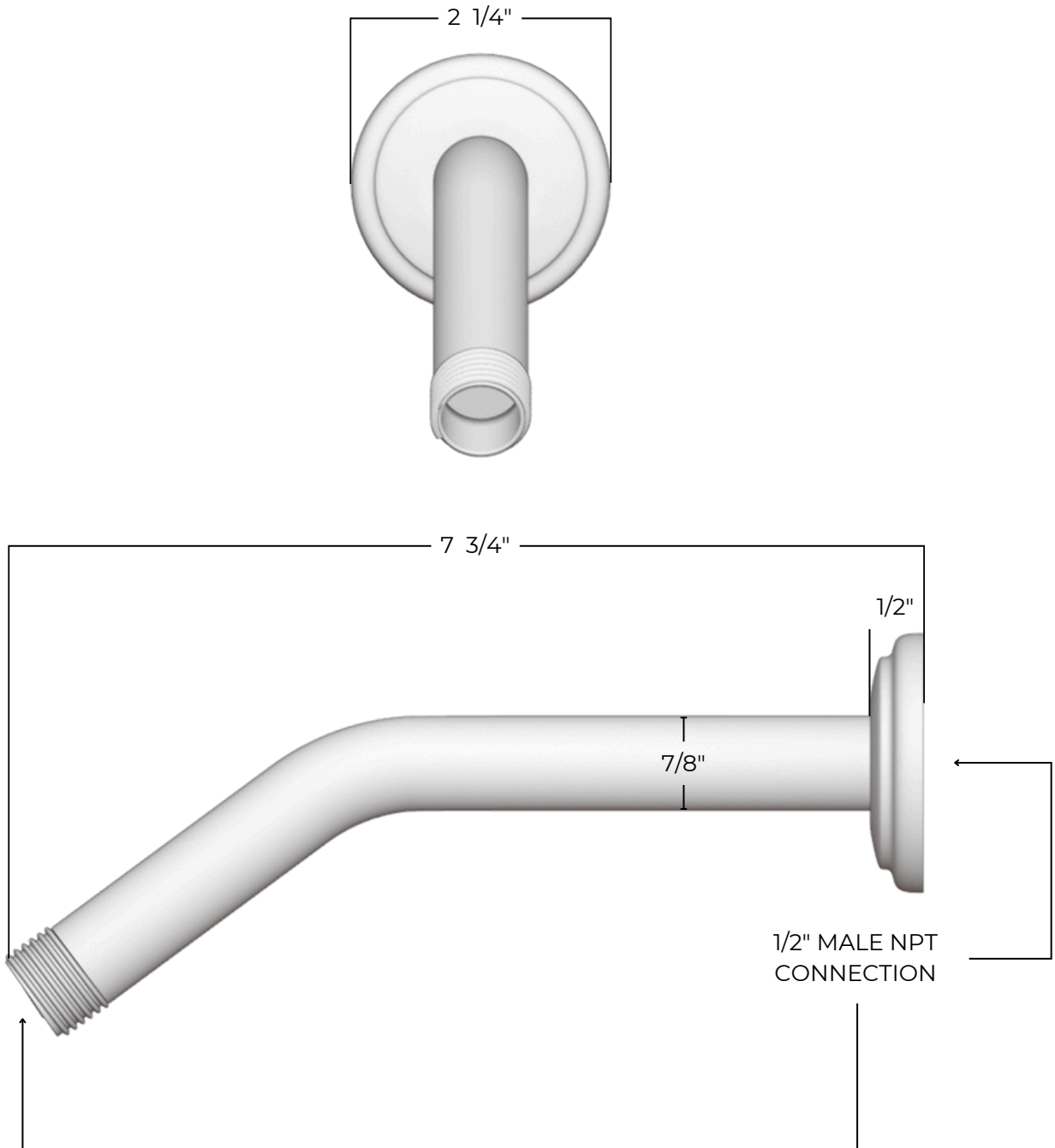
Classic 2-Way Pressure Balance Shower Trim Kit
with Hand Held Shower

artos®

PRODUCT DIMENSIONS

PRODUCT SKU

F902-11CL



TS285

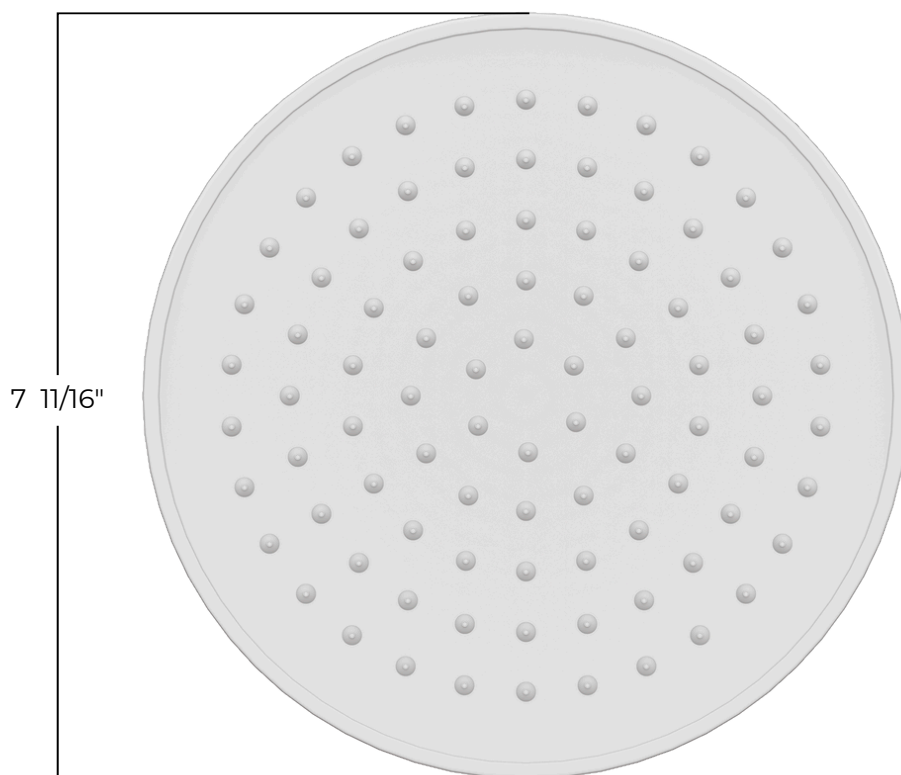
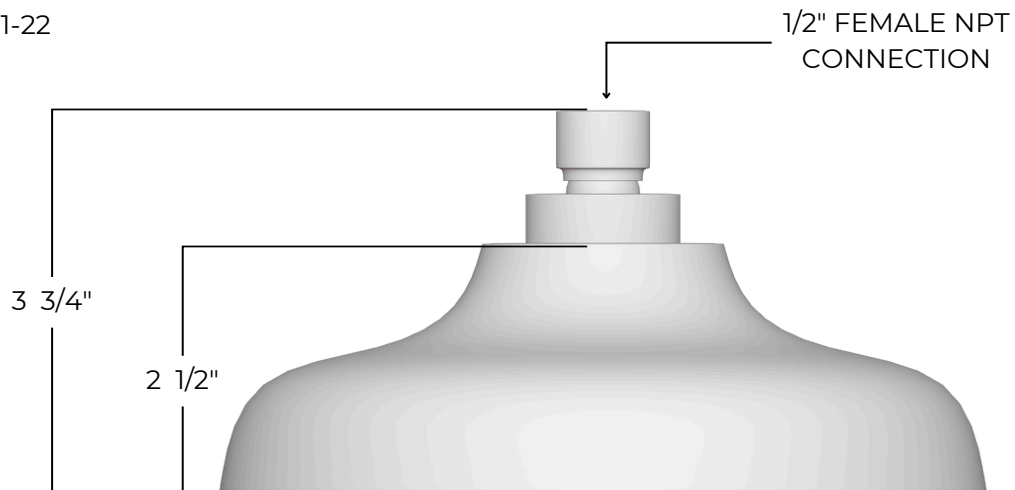
artos®

Classic 2-Way Pressure Balance Shower Trim Kit
with Hand Held Shower

PRODUCT DIMENSIONS

PRODUCT SKU

F901-22



TS285

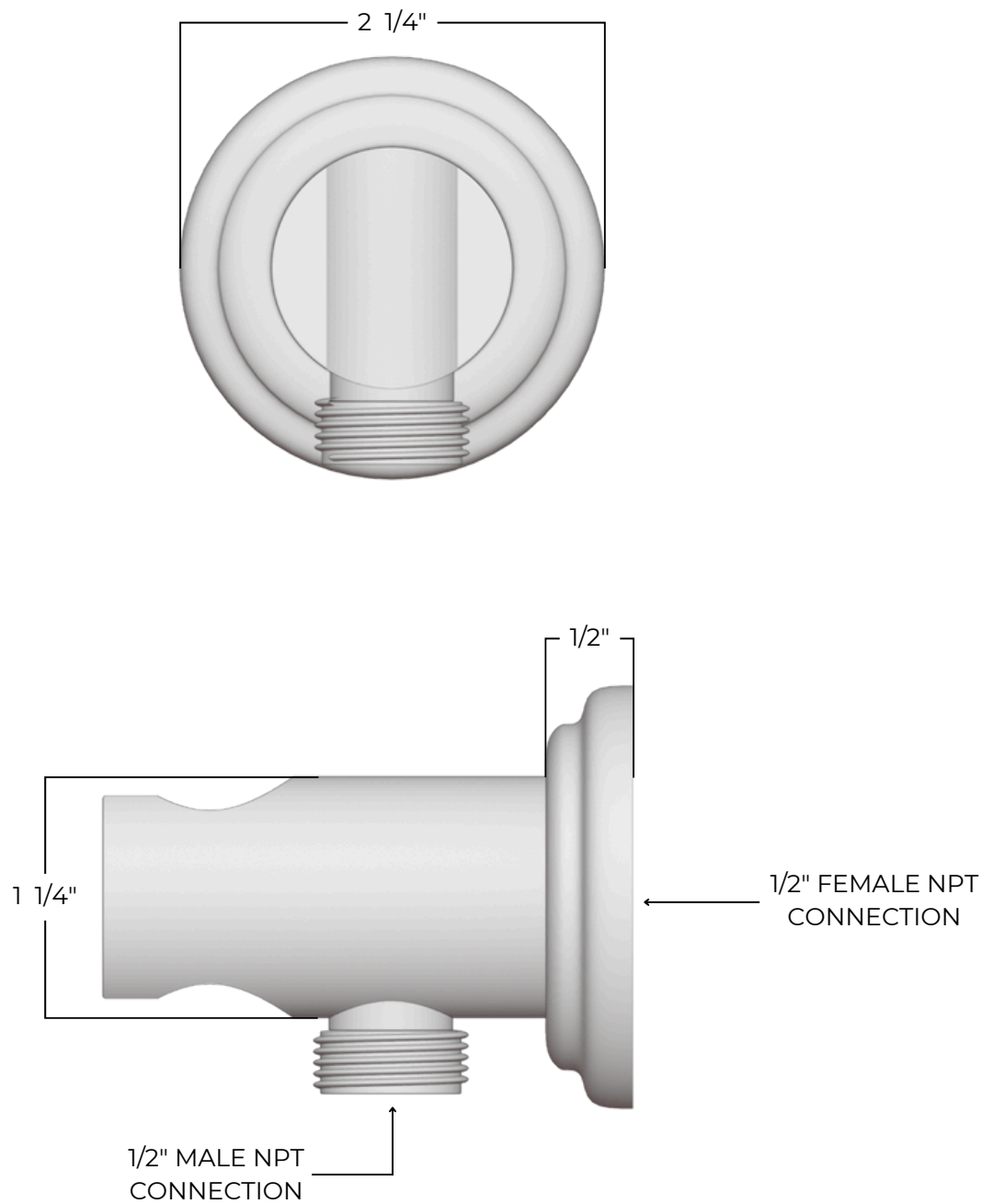
artos®

Classic 2-Way Pressure Balance Shower Trim Kit
with Hand Held Shower

PRODUCT DIMENSIONS

PRODUCT SKU

F902-42CL



TS285

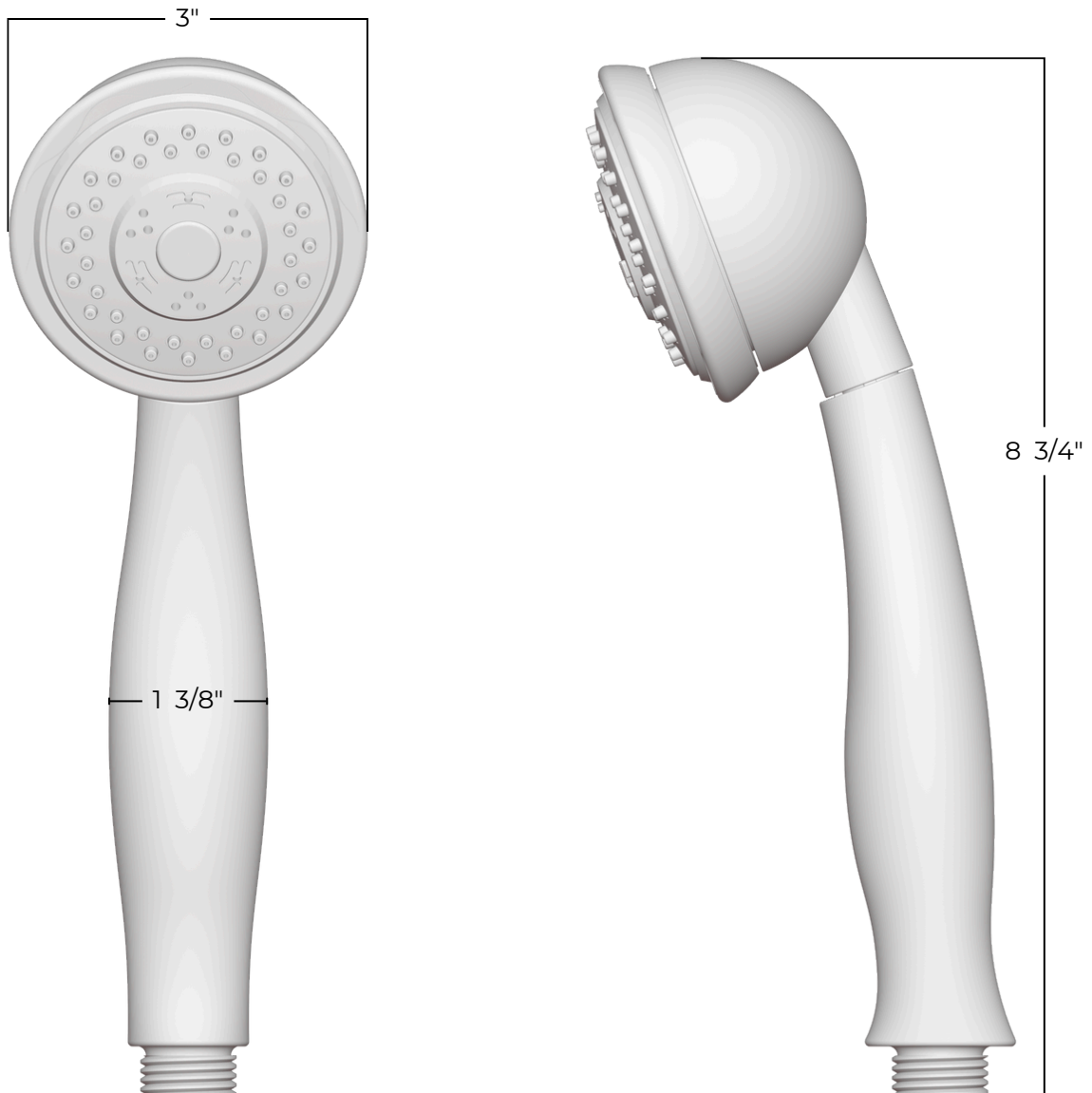
artos®

Classic 2-Way Pressure Balance Shower Trim Kit
with Hand Held Shower

PRODUCT DIMENSIONS

PRODUCT SKU

F901-23



TS285

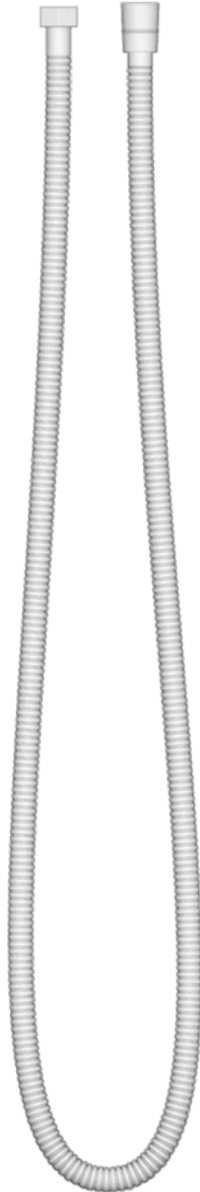
Classic 2-Way Pressure Balance Shower Trim Kit
with Hand Held Shower

artos®

PRODUCT DIMENSIONS

PRODUCT SKU

F902-8



METAL SHOWER HOSE

1/2" FEMALE CONNECTIONS
60" IN LENGTH