

TS283

artos®

Classic 2-Way Pressure Balance Shower Trim Kit
with Hand Held Shower on Slide Bar with
Separate Water Outlet

OPERATING SPECIFICATIONS



INCLUDES

Showerhead & Arm
Valve Trim
Non-Integrated Slidebar & Handheld
Shower

OPERATING PRESSURE

Minimum: 15 psi
Maximum: 125 psi
Above 90psi it may be necessary to install a
pressure reducer

OPERATING TEMPERATURE

Maximum: 176°

FLOW CAPACITY

Shower Head: 1.8 USGPM
Handshower: 1.8 USGPM

STANDARDS

ASSE 1016-2011 | ASME_A112.1016-2011 |
CSA B125:16-11



TS283

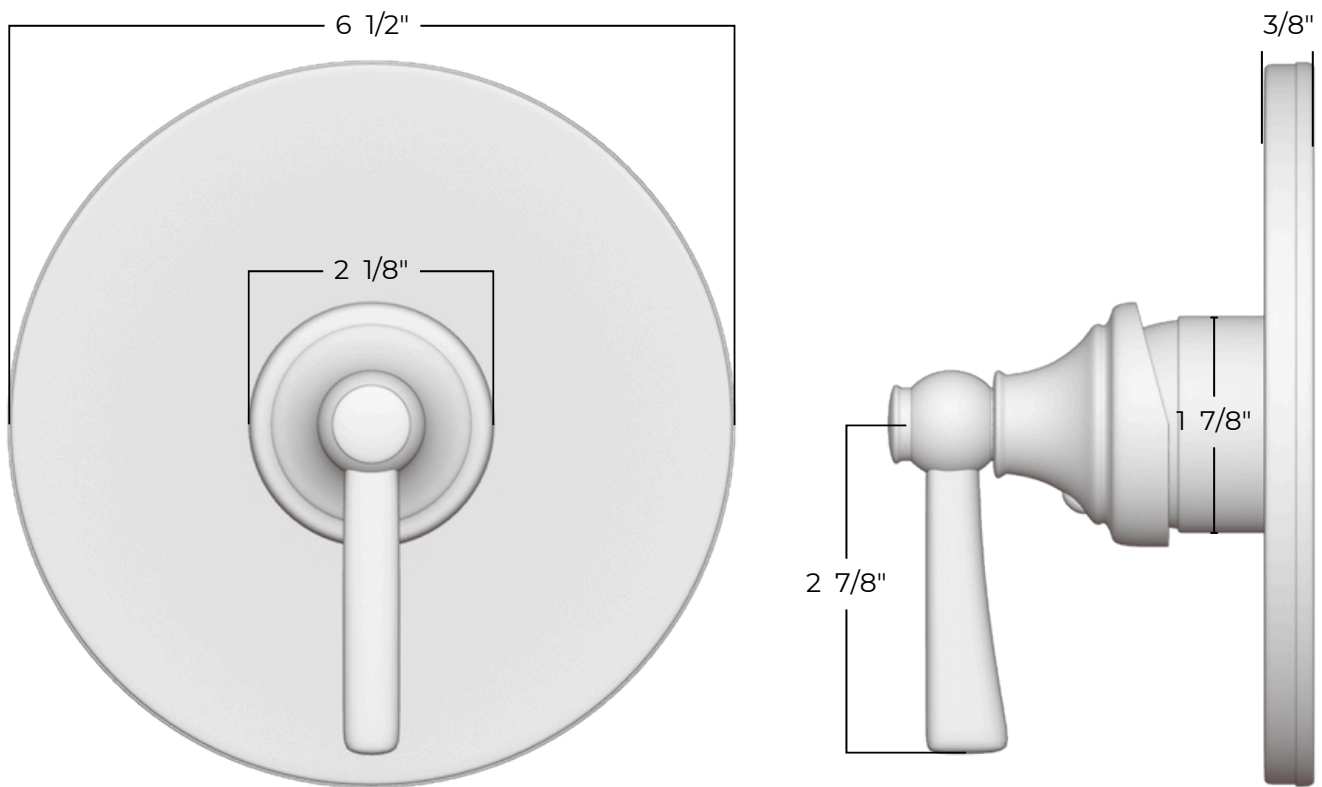
artos®

Classic 2-Way Pressure Balance Shower Trim Kit
with Hand Held Shower on Slide Bar with Separate
Water Outlet

PRODUCT DIMENSIONS

PRODUCT SKU

F962CLTK



TS283

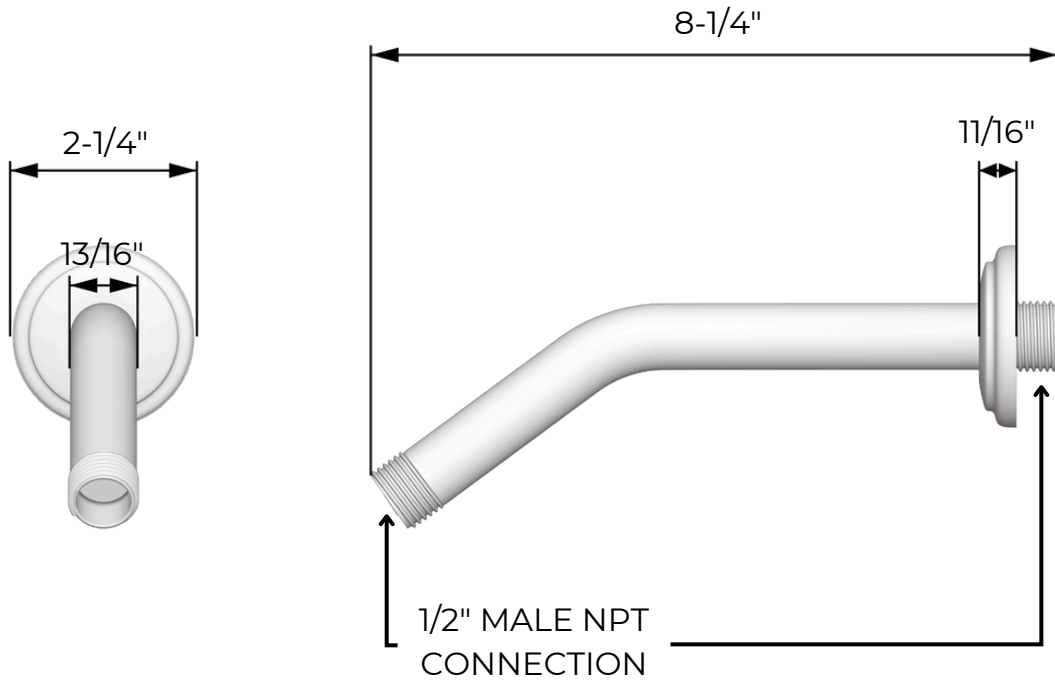
artos®

Classic 2-Way Pressure Balance Shower Trim Kit
with Hand Held Shower on Slide Bar with Separate
Water Outlet

PRODUCT DIMENSIONS

PRODUCT SKU

F902-11CL



TS283

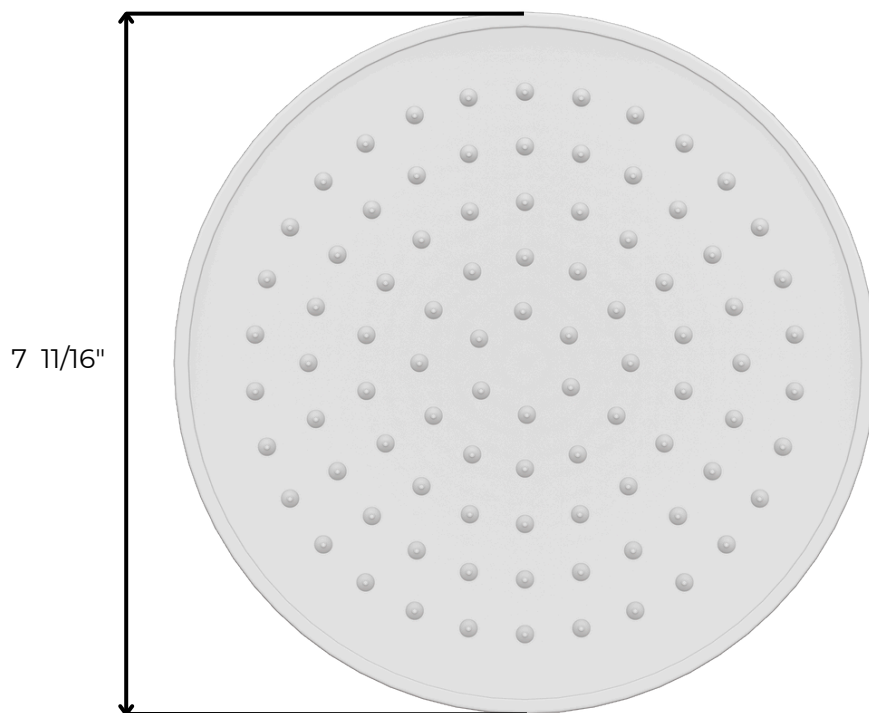
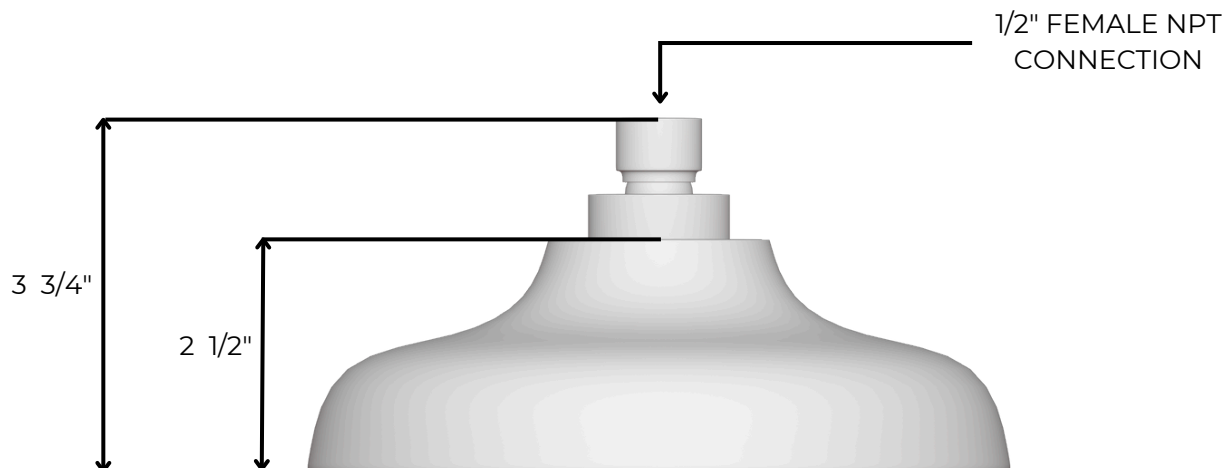
artos®

Classic 2-Way Pressure Balance Shower Trim Kit
with Hand Held Shower on Slide Bar with Separate
Water Outlet

PRODUCT DIMENSIONS

PRODUCT SKU

F901-22



TS283

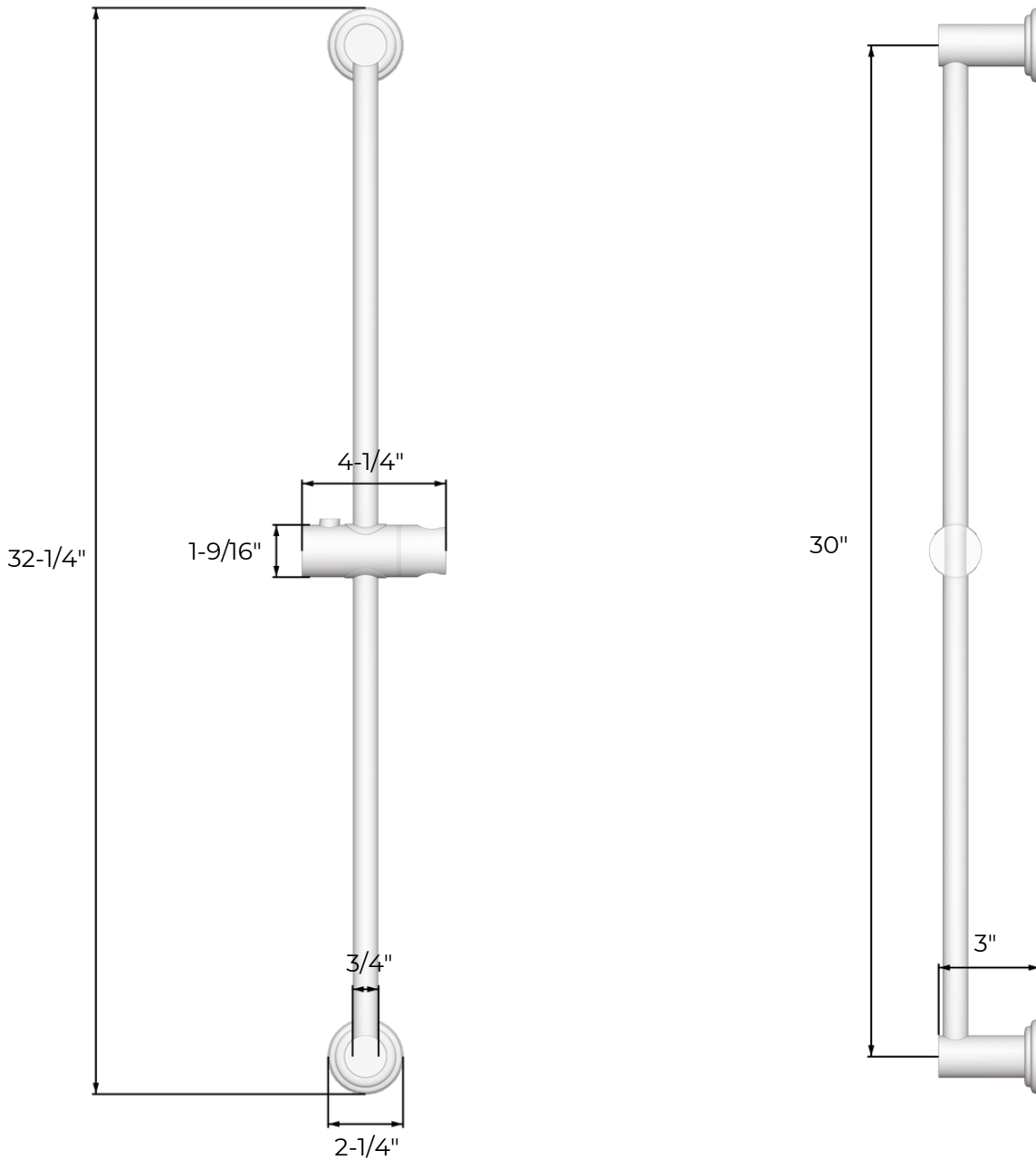
artos®

Classic 2-Way Pressure Balance Shower Trim Kit
with Hand Held Shower on Slide Bar with Separate
Water Outlet

PRODUCT DIMENSIONS

PRODUCT SKU

F907-92



TS283

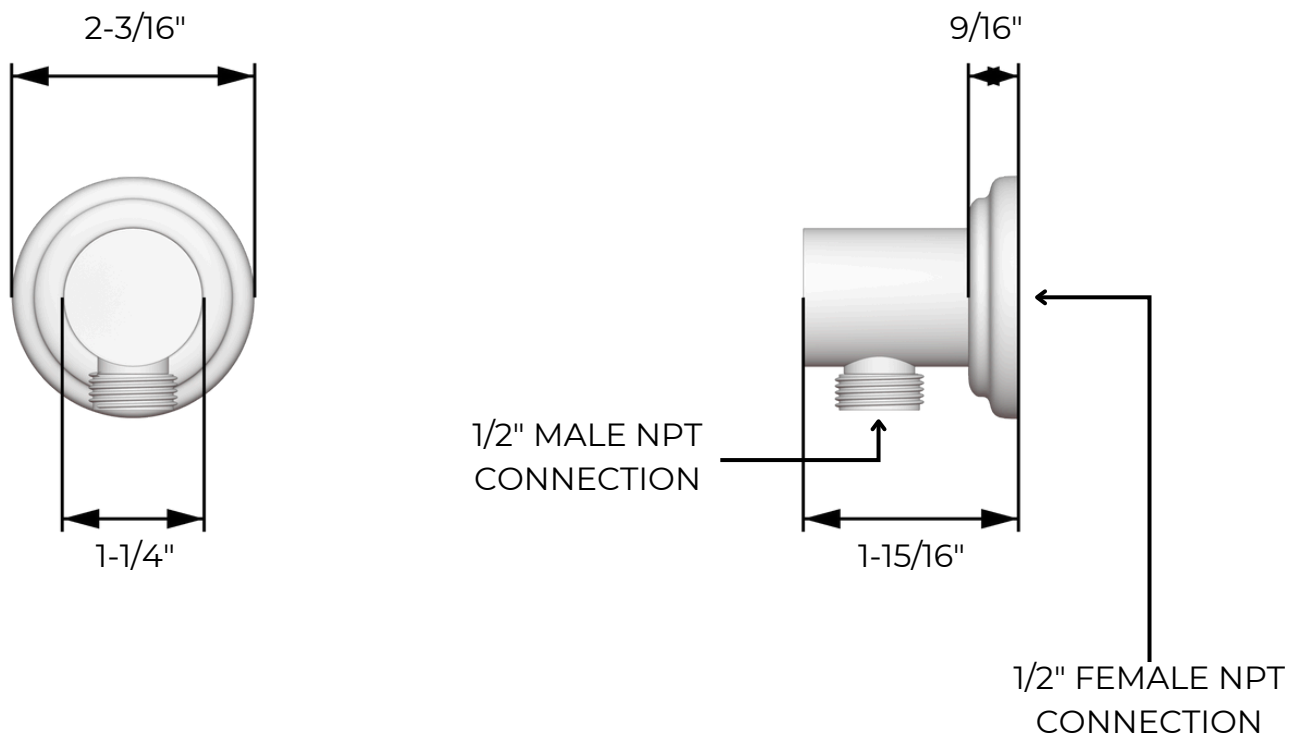
artos®

Classic 2-Way Pressure Balance Shower Trim Kit
with Hand Held Shower on Slide Bar with Separate
Water Outlet

PRODUCT DIMENSIONS

PRODUCT SKU

F902-41CL



TS283

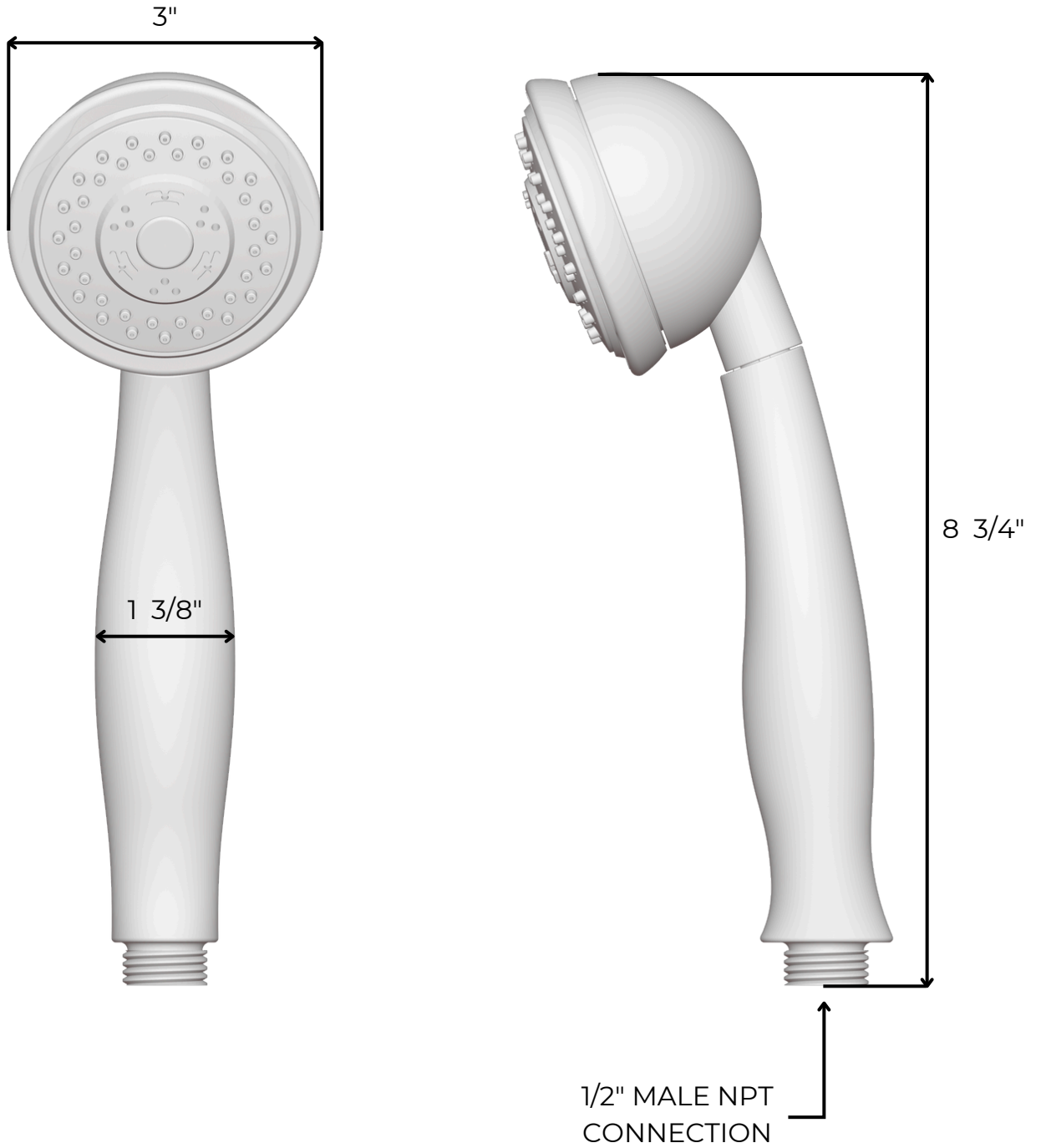
artos®

Classic 2-Way Pressure Balance Shower Trim Kit
with Hand Held Shower on Slide Bar with Separate
Water Outlet

PRODUCT DIMENSIONS

PRODUCT SKU

F901-23



TS283

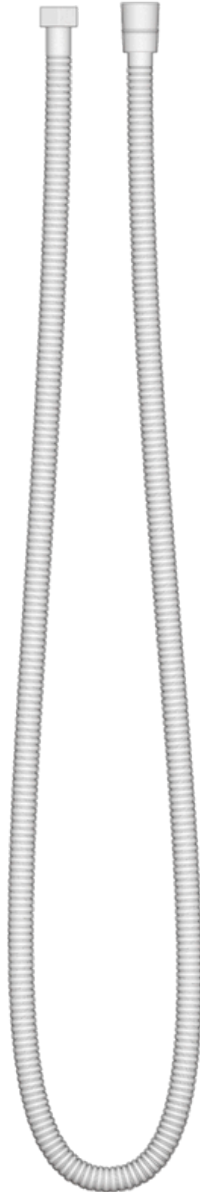
artos®

Classic 2-Way Pressure Balance Shower Trim Kit
with Hand Held Shower on Slide Bar with Separate
Water Outlet

PRODUCT DIMENSIONS

PRODUCT SKU

F902-8



METAL SHOWER HOSE

1/2" FEMALE NPT CONNECTIONS
60" IN LENGTH