

TS275

artos®

Square 2-Way Pressure Balance Shower Trim Kit
with Hand Held Shower

OPERATING SPECIFICATIONS



INCLUDES

Showerhead & Arm
Valve Trim
Handheld Shower

OPERATING PRESSURE

Minimum: 15 psi
Maximum: 125 psi
Above 90psi it may be necessary to install
a pressure reducer

OPERATING TEMPERATURE

Maximum: 176°

FLOW CAPACITY

Shower Head: 1.8 USGPM
Handshower: 1.8 USGPM

STANDARDS

ASSE 1016-2011 | ASME_A112.1016-2011 |
CSA B125:16-11



TS275

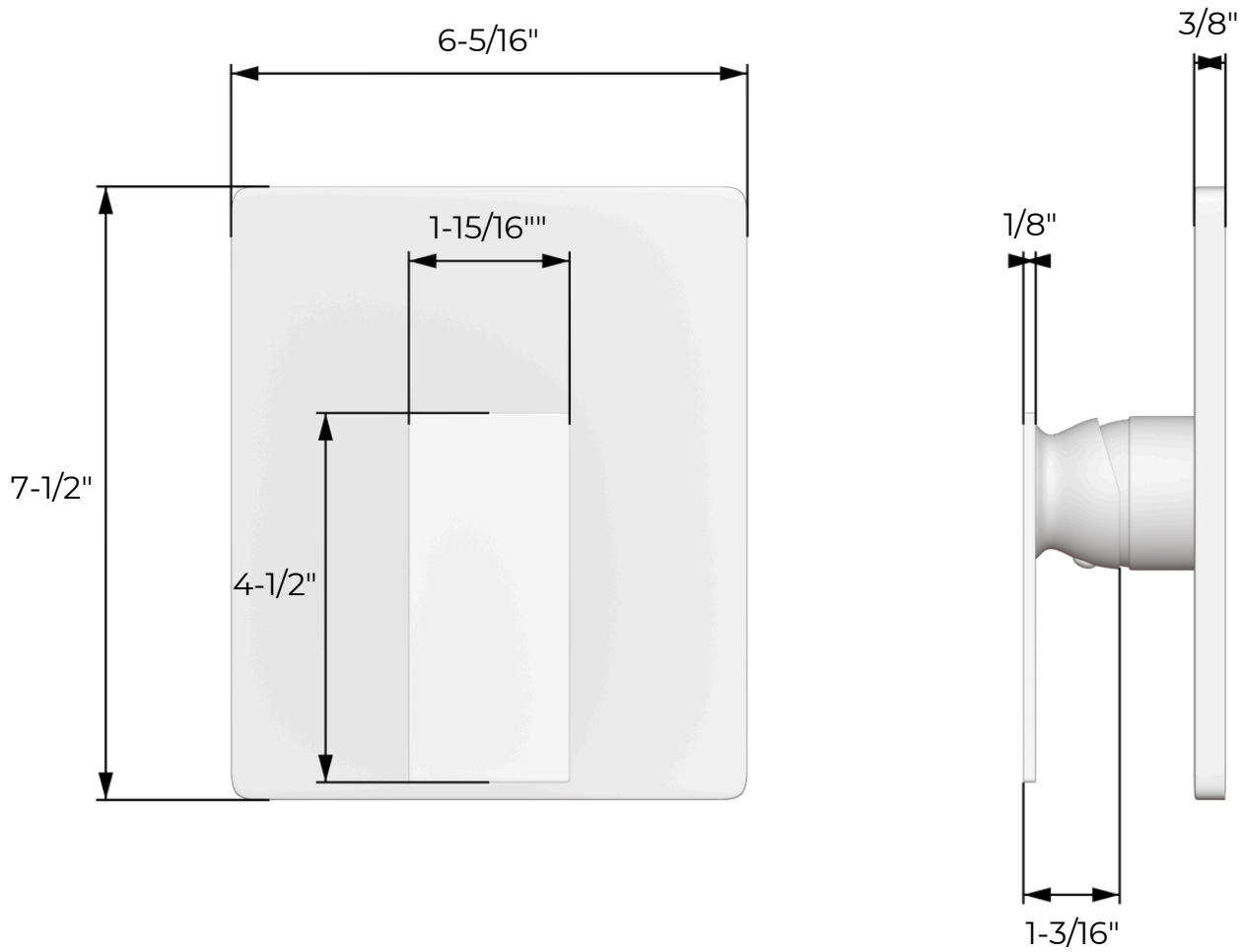
Square 2-Way Pressure Balance Shower Trim Kit
with Hand Held Shower

artos®

PRODUCT DIMENSIONS

PRODUCT SKU

F962SQTK



TS275

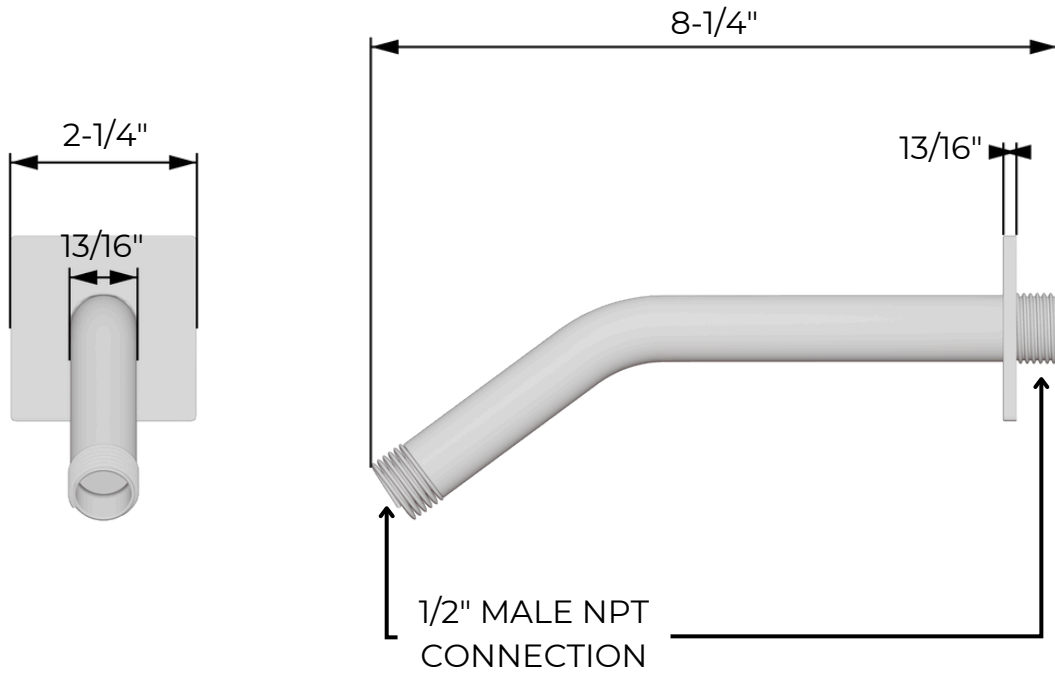
Square 2-Way Pressure Balance Shower Trim Kit
with Hand Held Shower

artos®

PRODUCT DIMENSIONS

PRODUCT SKU

F902-28



TS275

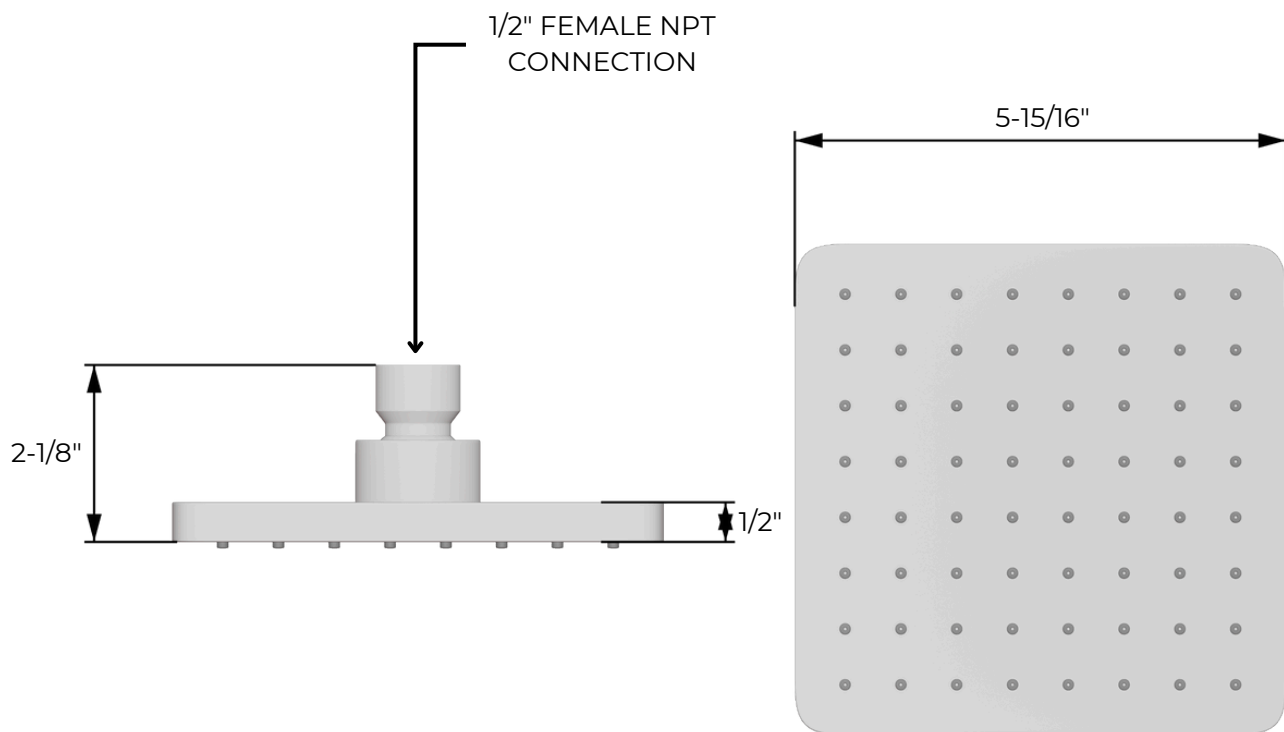
Square 2-Way Pressure Balance Shower Trim Kit
with Hand Held Shower

artos®

PRODUCT DIMENSIONS

PRODUCT SKU

F901-20



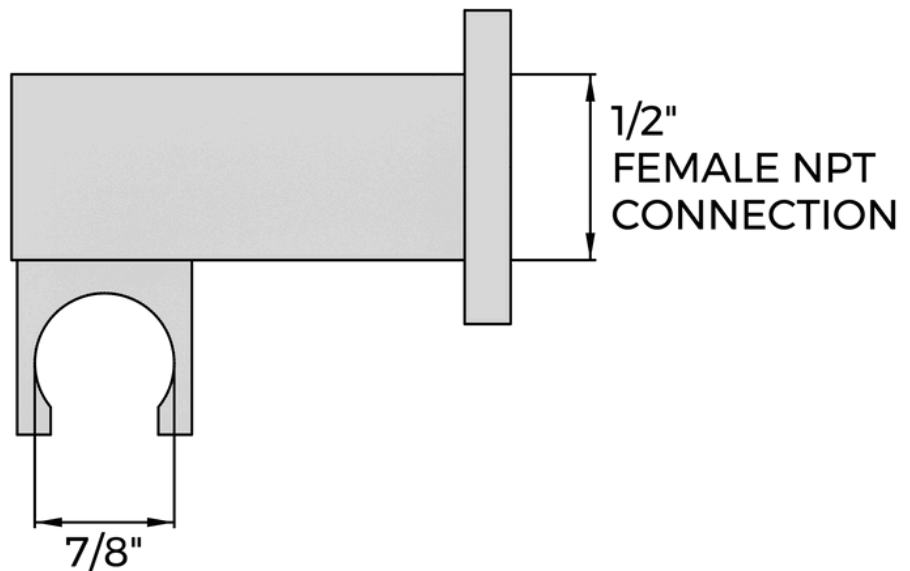
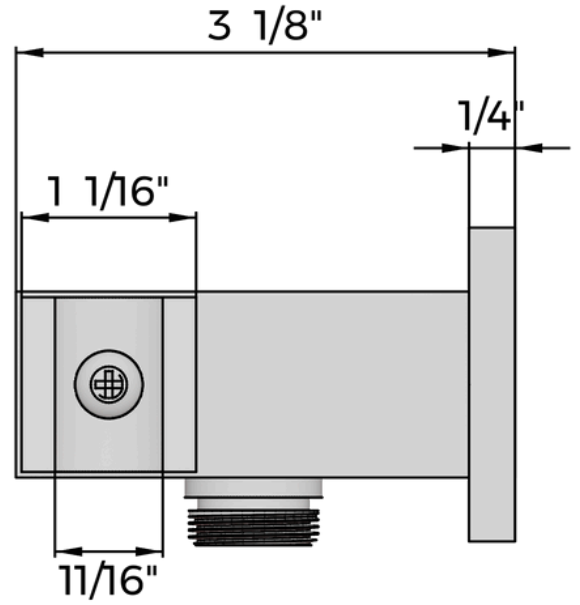
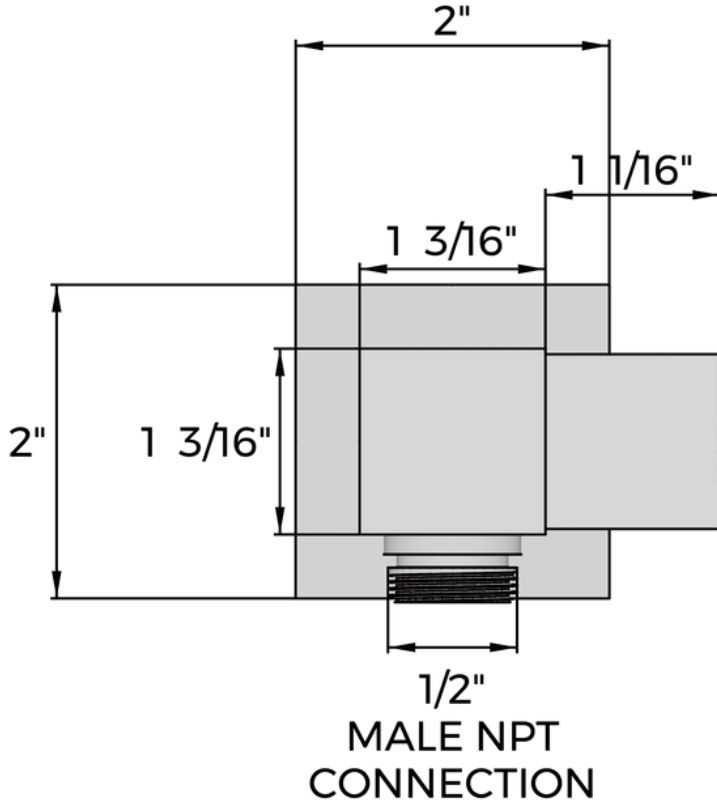
TS275

artos®

Square 2-Way Pressure Balance Shower Trim Kit
with Hand Held Shower

PRODUCT DIMENSIONS

PRODUCT SKU
FSC1002



TS275

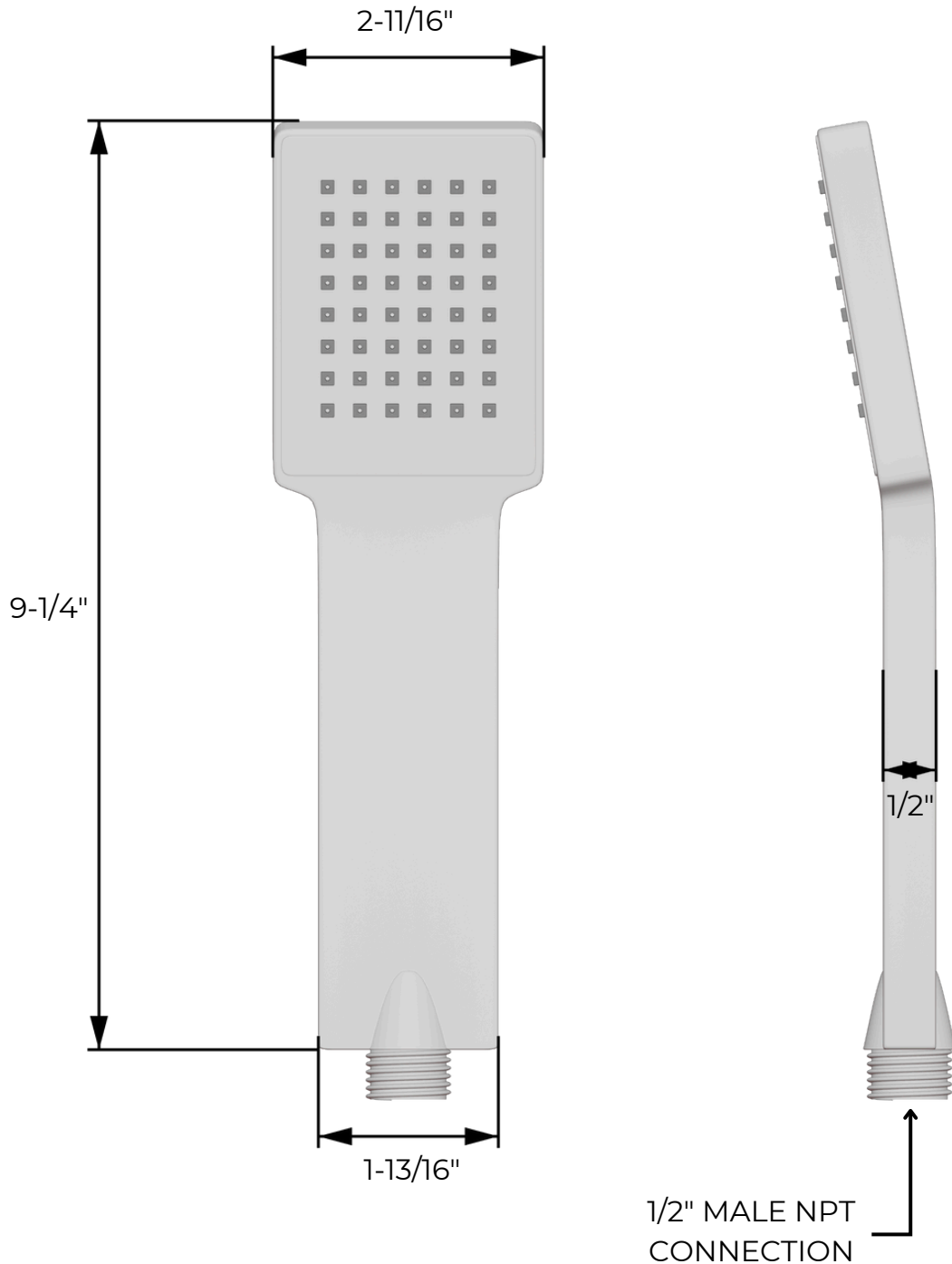
Square 2-Way Pressure Balance Shower Trim Kit
with Hand Held Shower

artos®

PRODUCT DIMENSIONS

PRODUCT SKU

F902-15



TS275

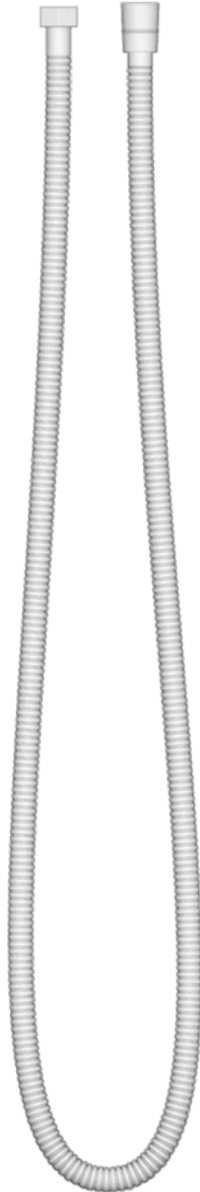
Square 2-Way Pressure Balance Shower Trim Kit
with Hand Held Shower

artos®

PRODUCT DIMENSIONS

PRODUCT SKU

F902-8



METAL SHOWER HOSE

1/2" FEMALE NPT CONNECTIONS
60" IN LENGTH