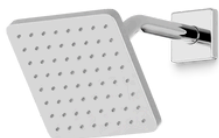


# TS274

artos®

Square 2-Way Pressure Balance Shower Trim Kit  
with Hand Held Shower on Integrated Slide Bar

## OPERATING SPECIFICATIONS



### INCLUDES

Showerhead & Arm  
Valve Trim  
Integrated Slidebar & Handheld Shower

### OPERATING PRESSURE

Minimum: 15 psi  
Maximum: 125 psi  
Above 90psi it may be necessary to install  
a pressure reducer

### OPERATING TEMPERATURE

Maximum: 176°

### FLOW CAPACITY

Shower Head: 1.8 USGPM  
Handshower: 1.8 USGPM

### STANDARDS

ASSE 1016-2011 | ASME\_A112.1016-2011 |  
CSA B125:16-11



# TS274

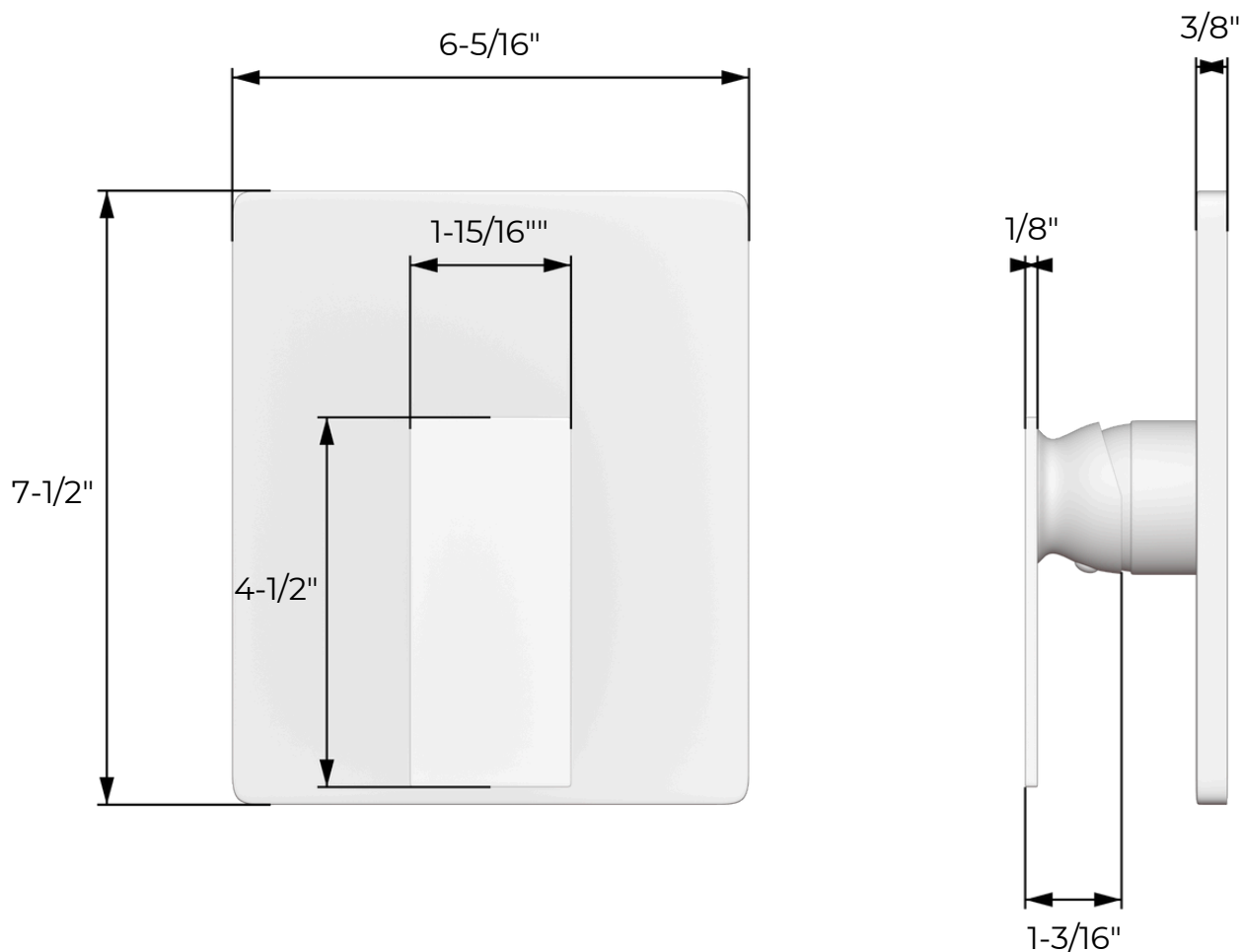
artos®

Square 2-Way Pressure Balance Shower Trim Kit  
with Hand Held Shower on Integrated Slide Bar

## PRODUCT DIMENSIONS

### PRODUCT SKU

F962SQTK



# TS274

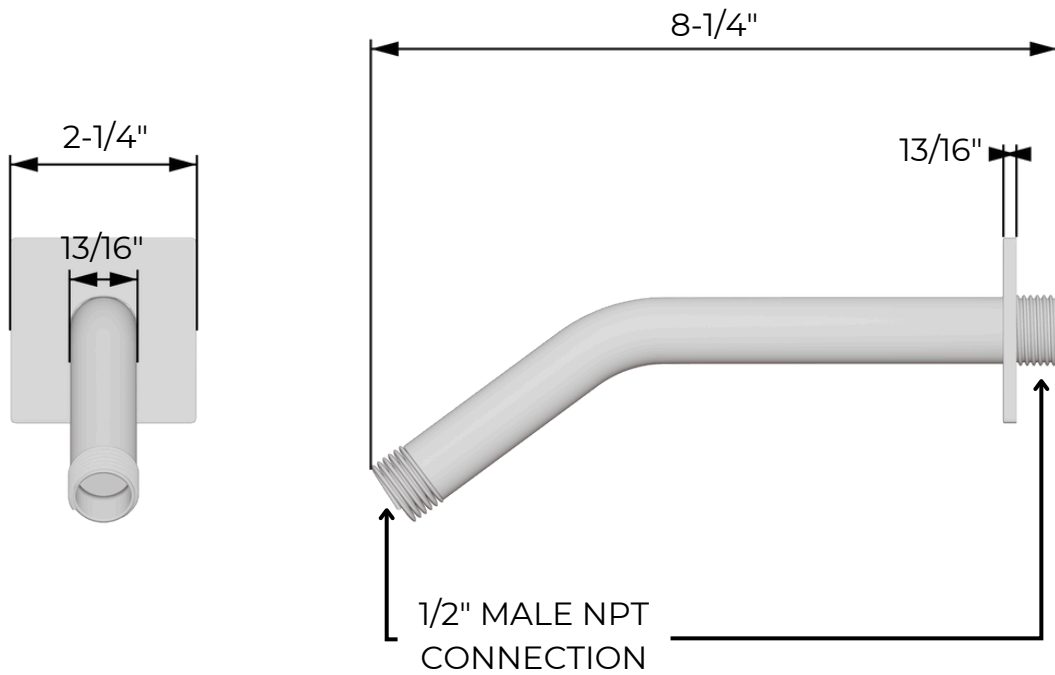
artos®

Square 2-Way Pressure Balance Shower Trim Kit  
with Hand Held Shower on Integrated Slide Bar

## PRODUCT DIMENSIONS

### PRODUCT SKU

F902-28



# TS274

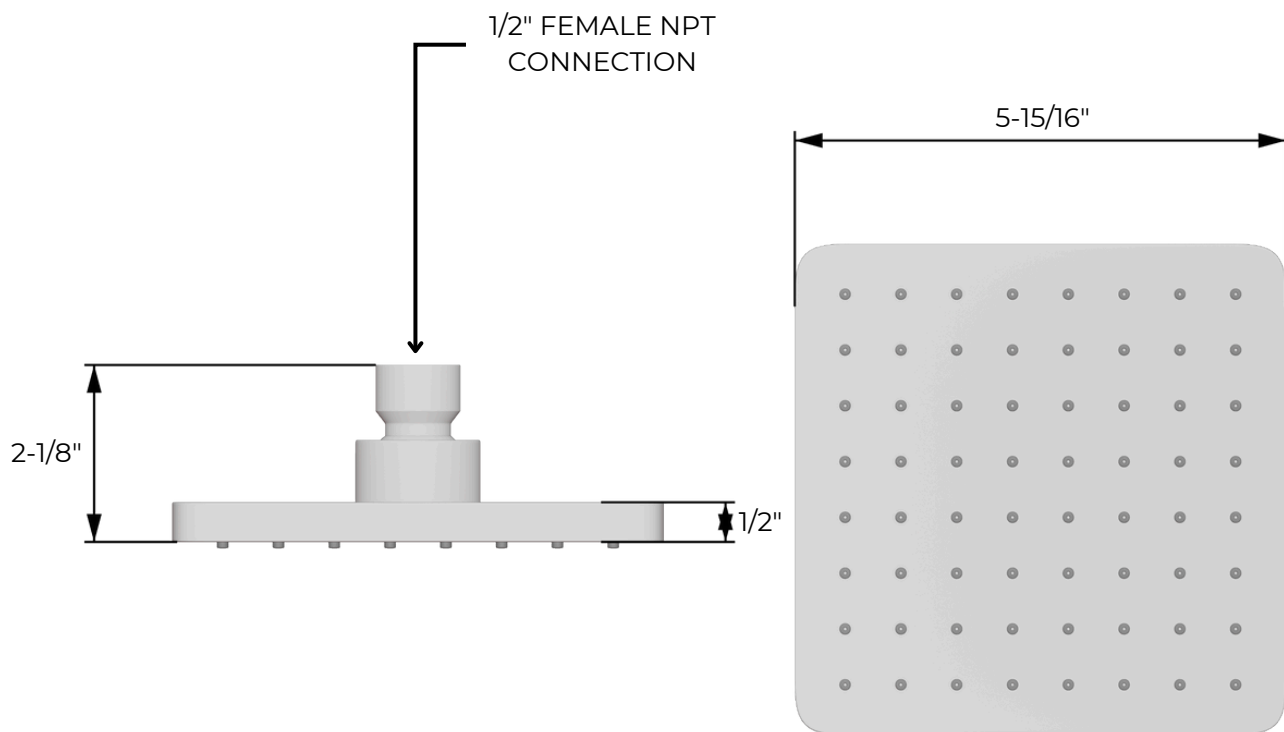
artos®

Square 2-Way Pressure Balance Shower Trim Kit  
with Hand Held Shower on Integrated Slide Bar

## PRODUCT DIMENSIONS

### PRODUCT SKU

F901-20



# TS274

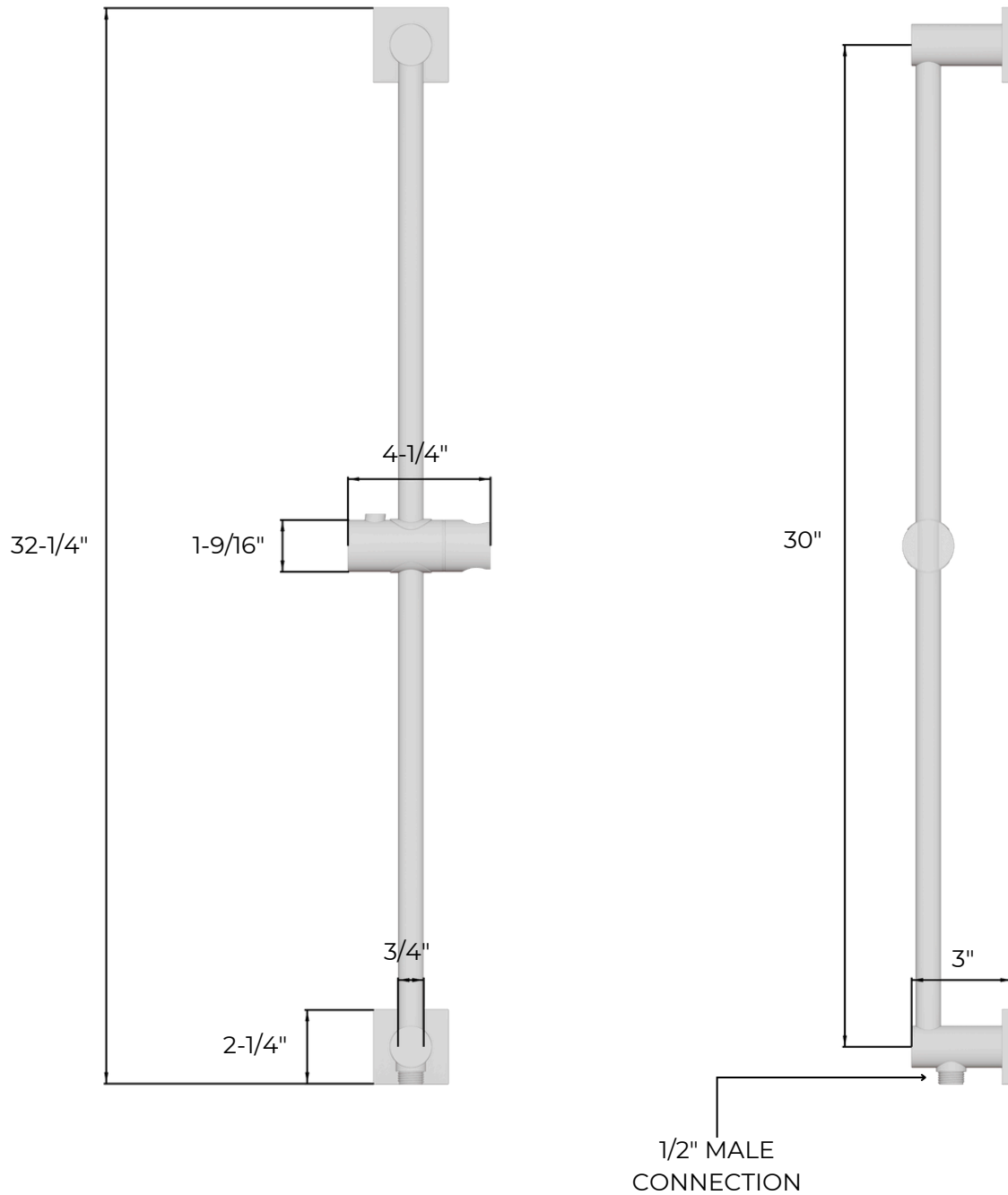
artos®

Square 2-Way Pressure Balance Shower Trim Kit  
with Hand Held Shower on Integrated Slide Bar

## PRODUCT DIMENSIONS

### PRODUCT SKU

F907-87



# TS274

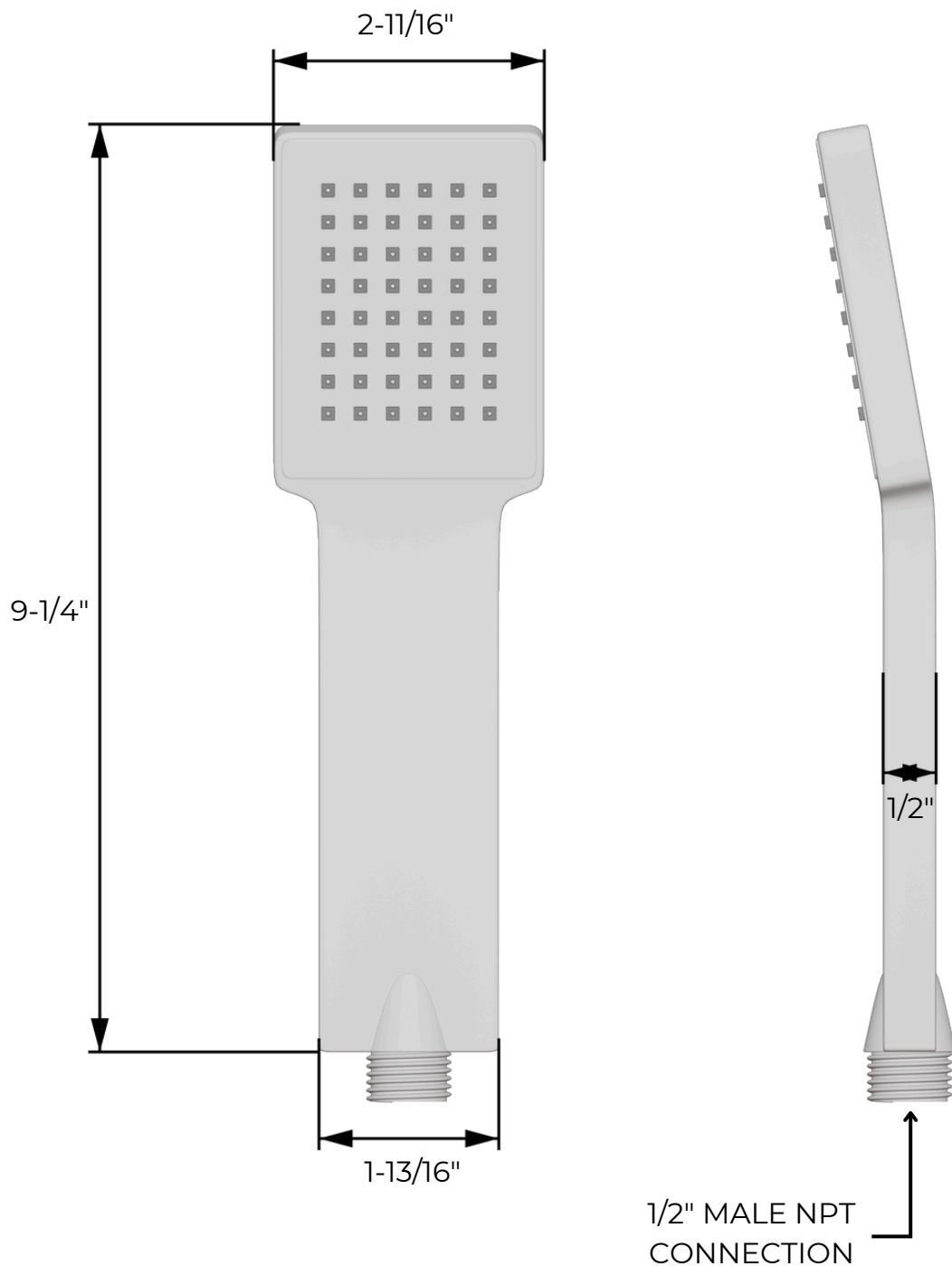
Square 2-Way Pressure Balance Shower Trim Kit  
with Hand Held Shower on Integrated Slide Bar

artos®

## PRODUCT DIMENSIONS

### PRODUCT SKU

F902-15



# TS274

Square 2-Way Pressure Balance Shower Trim Kit  
with Hand Held Shower on Integrated Slide Bar

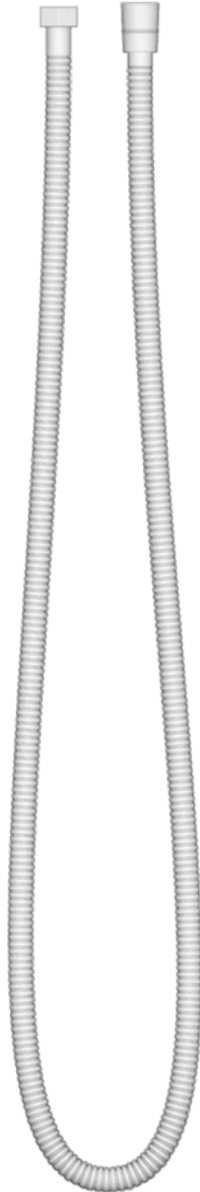
artos®

## PRODUCT DIMENSIONS

---

### PRODUCT SKU

F902-8



### METAL SHOWER HOSE

1/2" FEMALE NPT CONNECTIONS  
60" IN LENGTH