

TS265

artos®

Round 2-Way Pressure Balance Shower Trim Kit
with Multifunction Shower Head and Hand Held
Shower

OPERATING SPECIFICATIONS



INCLUDES

Showerhead & Arm
Valve Trim
Handheld Shower

OPERATING PRESSURE

Minimum: 15 psi
Maximum: 125 psi
Above 90psi it may be necessary to install
a pressure reducer

OPERATING TEMPERATURE

Maximum: 176°

FLOW CAPACITY

Shower Head: 1.8 USGPM
Handshower: 1.8 USGPM

STANDARDS

ASSE 1016-2011 | ASME_A112.1016-2011 |
CSA B125:16-11



TS265

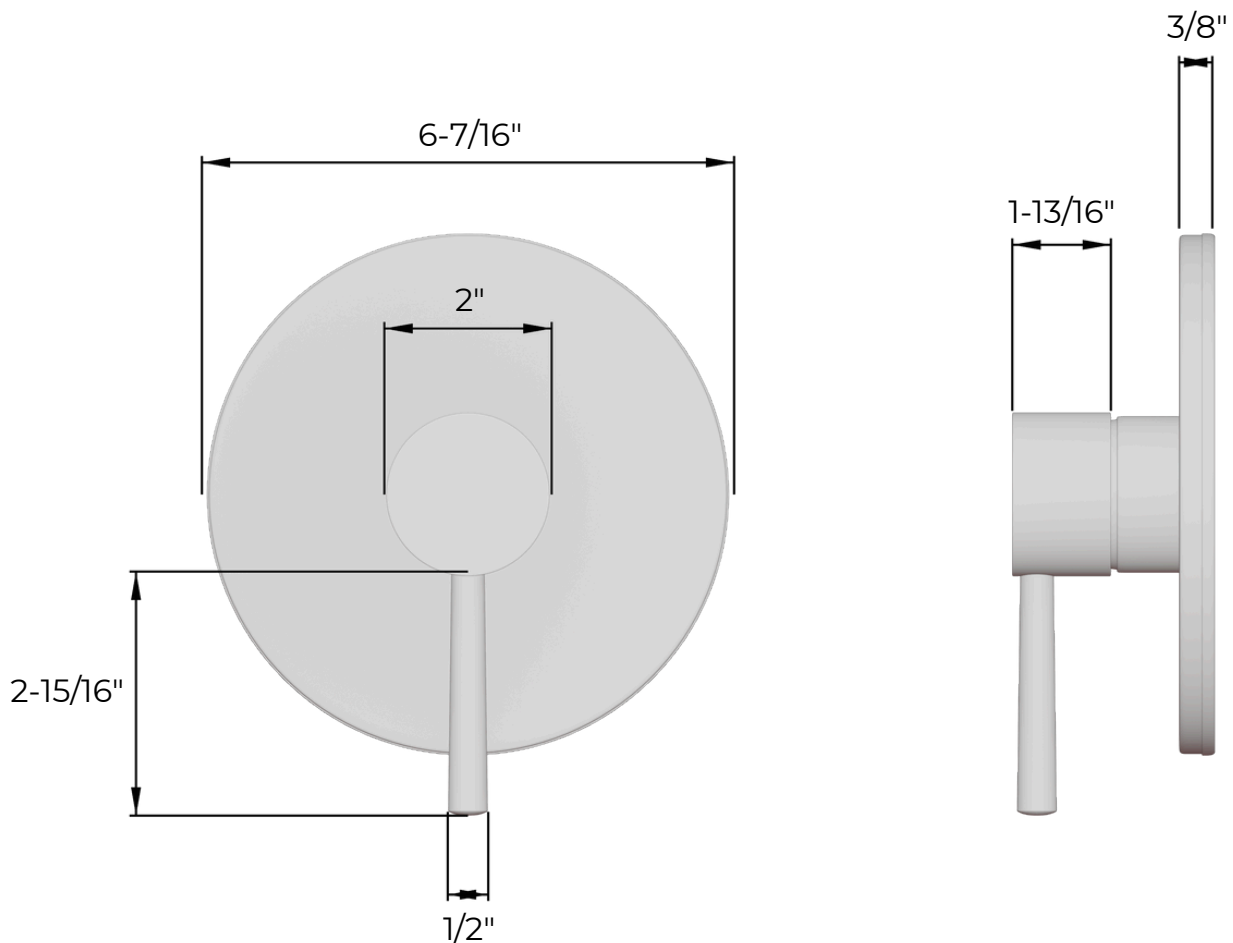
artos®

Round 2-Way Pressure Balance Shower Trim Kit
with Multifunction Shower Head and Hand Held
Shower

PRODUCT DIMENSIONS

PRODUCT SKU

F980TK



TS265

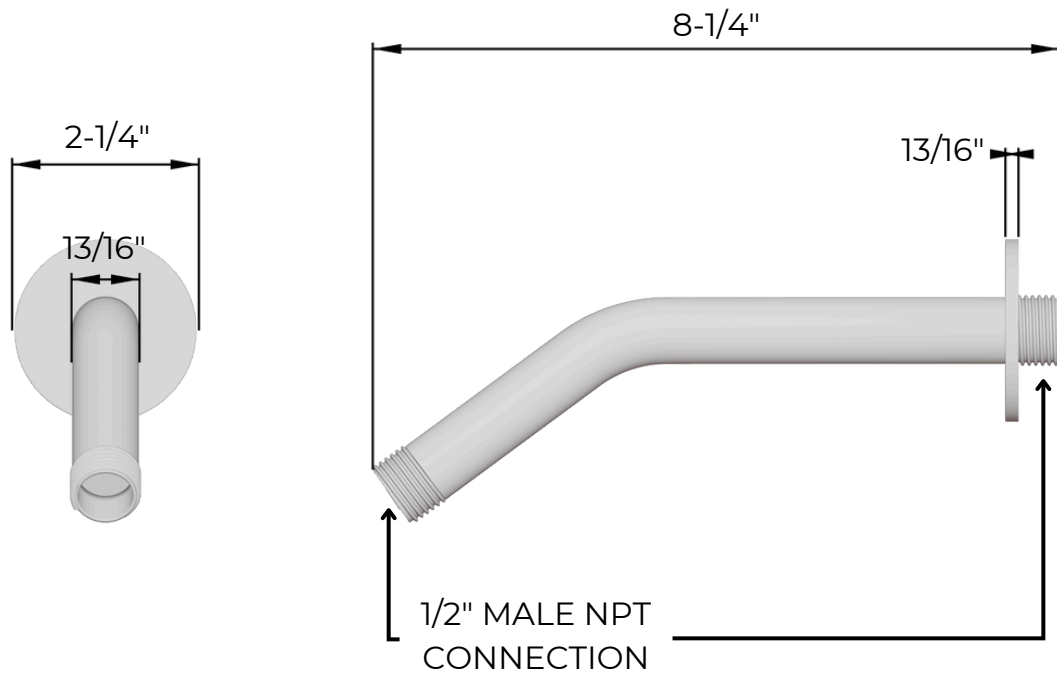
artos®

Round 2-Way Pressure Balance Shower Trim Kit
with Multifunction Shower Head and Hand Held
Shower

PRODUCT DIMENSIONS

PRODUCT SKU

F902-11



TS265

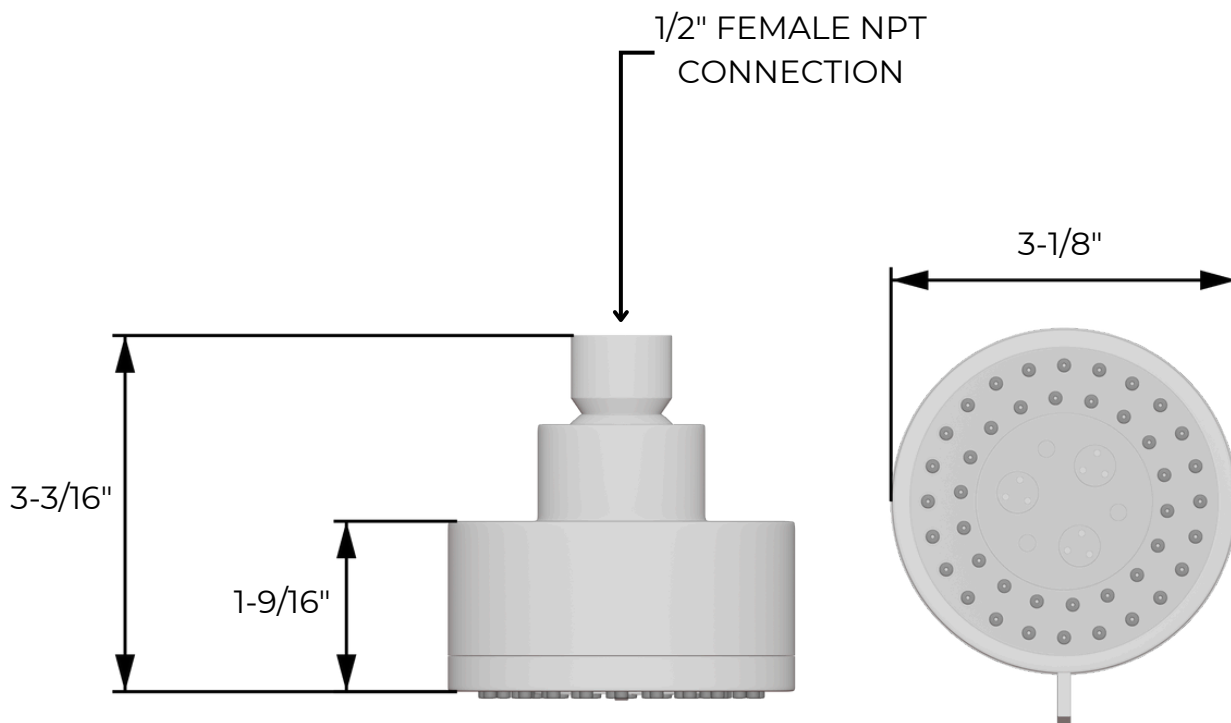
artos®

Round 2-Way Pressure Balance Shower Trim Kit
with Multifunction Shower Head and Hand Held
Shower

PRODUCT DIMENSIONS

PRODUCT SKU

F902-26



TS265

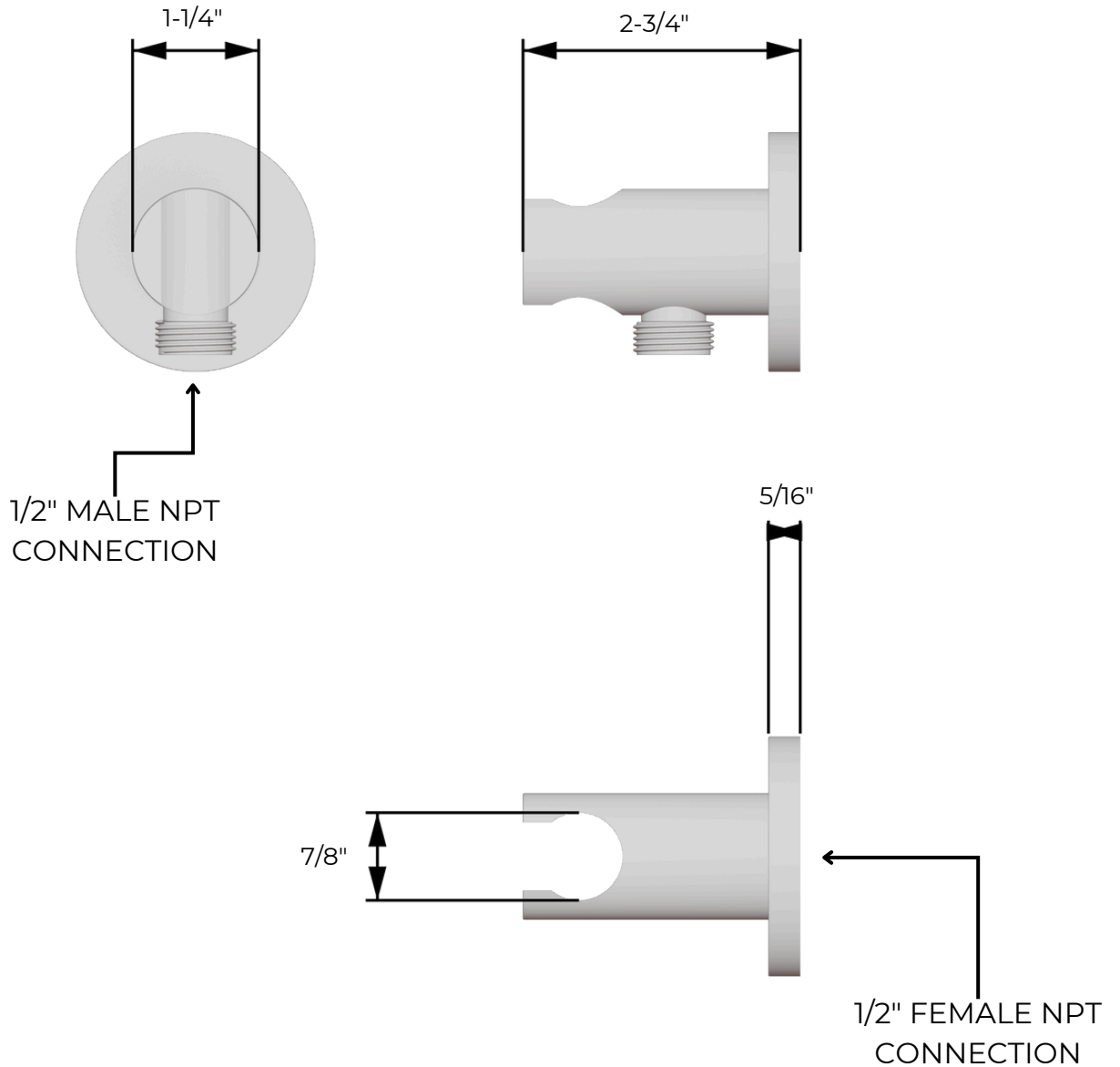
artos®

Round 2-Way Pressure Balance Shower Trim Kit
with Multifunction Shower Head and Hand Held
Shower

PRODUCT DIMENSIONS

PRODUCT SKU

F902-42



TS265

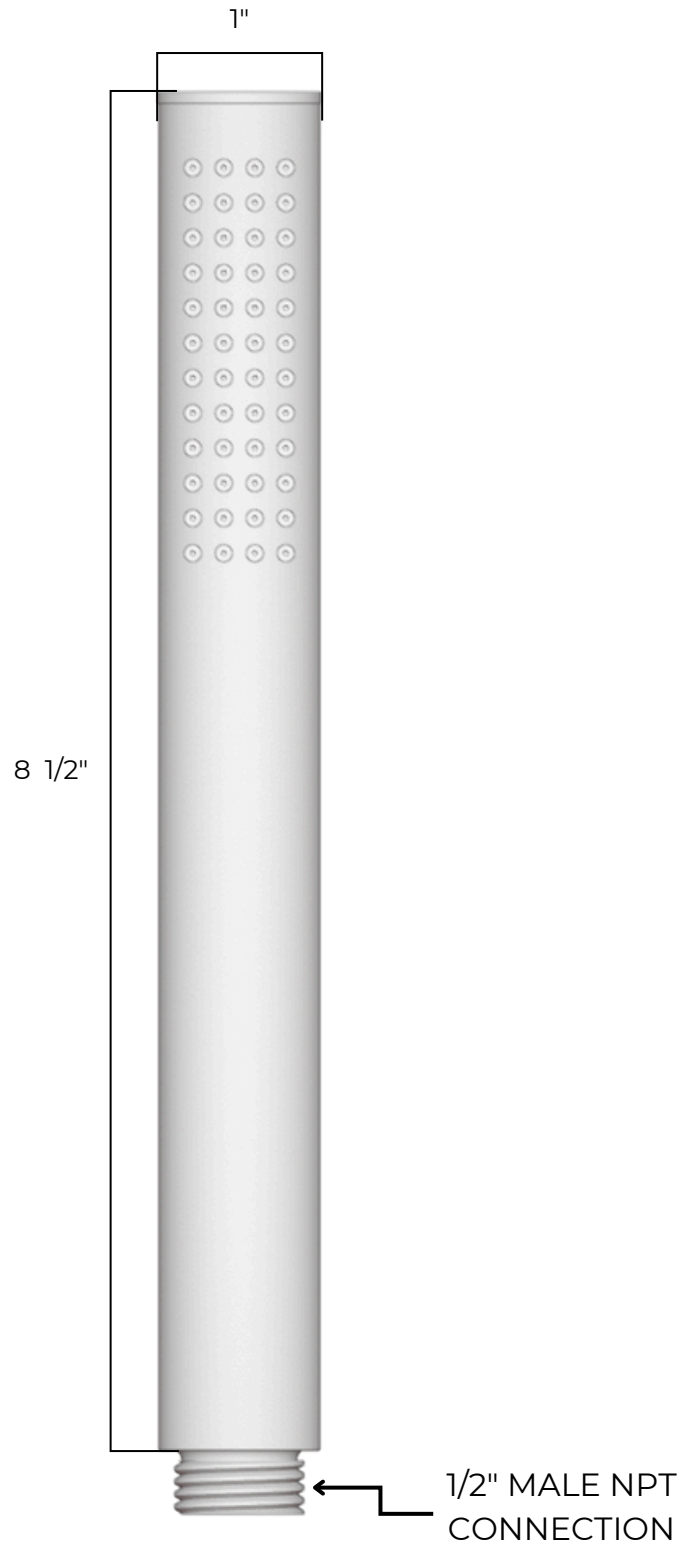
artos®

Round 2-Way Pressure Balance Shower Trim Kit
with Multifunction Shower Head and Hand Held
Shower

PRODUCT DIMENSIONS

PRODUCT SKU

F901-3



TS265

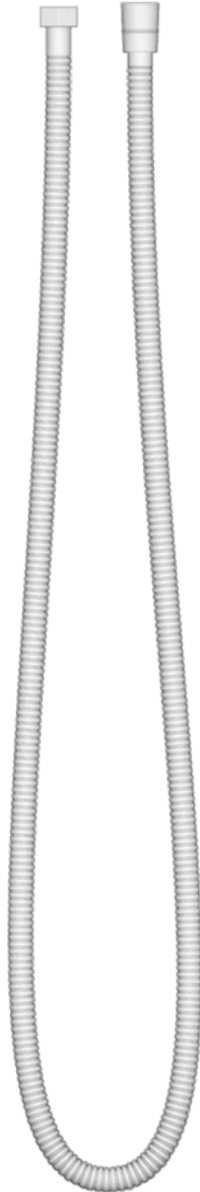
Round 2-Way Pressure Balance Shower Trim Kit
with Multifunction Shower Head and Hand Held
Shower

artos®

PRODUCT DIMENSIONS

PRODUCT SKU

F902-8



METAL SHOWER HOSE

1/2" FEMALE NPT CONNECTIONS
60" IN LENGTH