

# TS255

artos®

Round 2-Way Pressure Balance Shower Trim Kit  
with Rain Shower Head and Hand Held Shower

## OPERATING SPECIFICATIONS



### INCLUDES

Showerhead & Arm  
Valve Trim  
Handheld Shower

### OPERATING PRESSURE

Minimum: 15 psi  
Maximum: 125 psi  
Above 90psi it may be necessary to install  
a pressure reducer

### OPERATING TEMPERATURE

Maximum: 176°

### FLOW CAPACITY

Shower Head: 1.8 USGPM  
Handshower: 1.8 USGPM

### STANDARDS

ASSE 1016-2011 | ASME\_A112.1016-2011 |  
CSA B125:16-11



# TS255

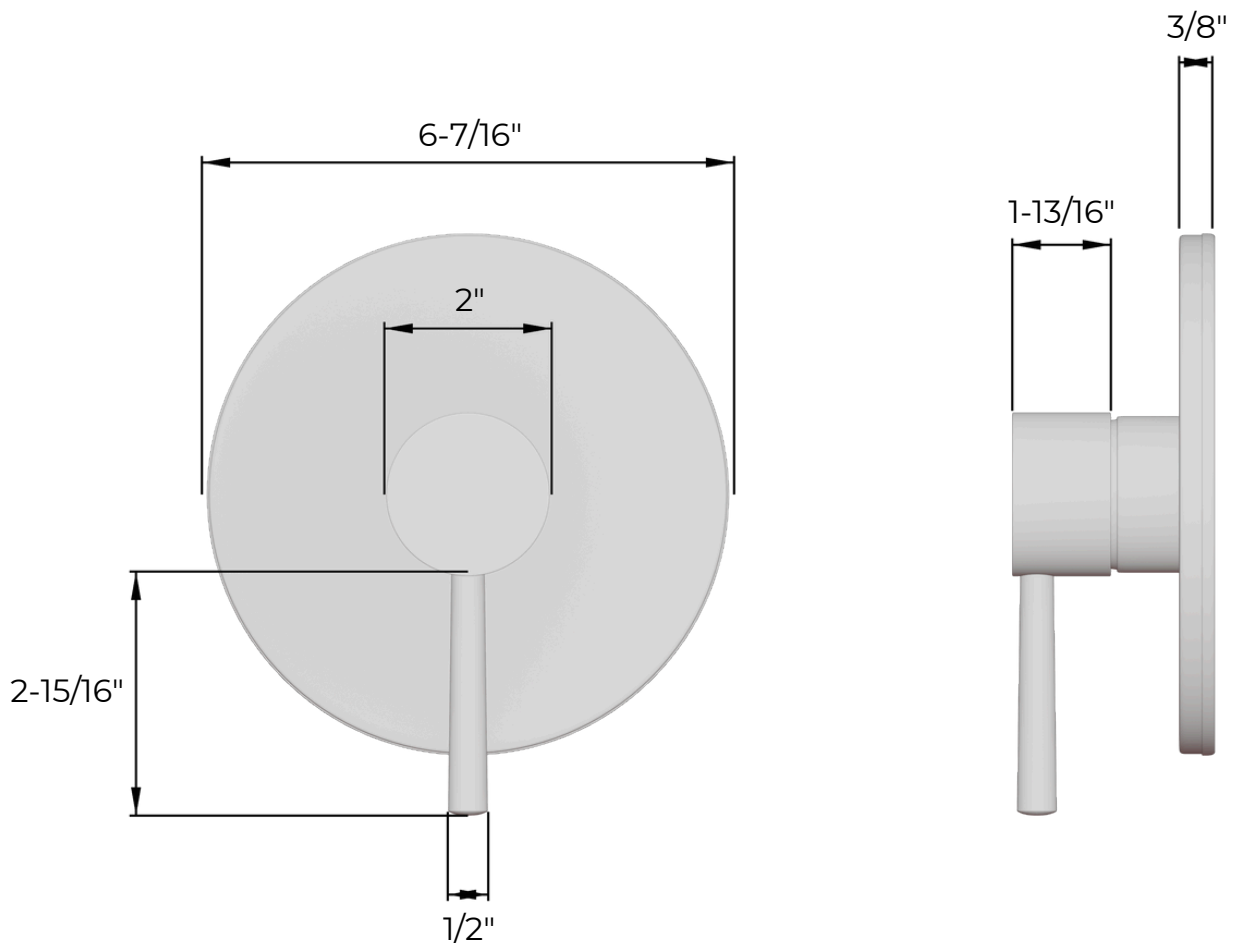
artos®

Round 2-Way Pressure Balance Shower Trim Kit  
with Rain Shower Head and Hand Held Shower

## PRODUCT DIMENSIONS

### PRODUCT SKU

F980TK



# TS255

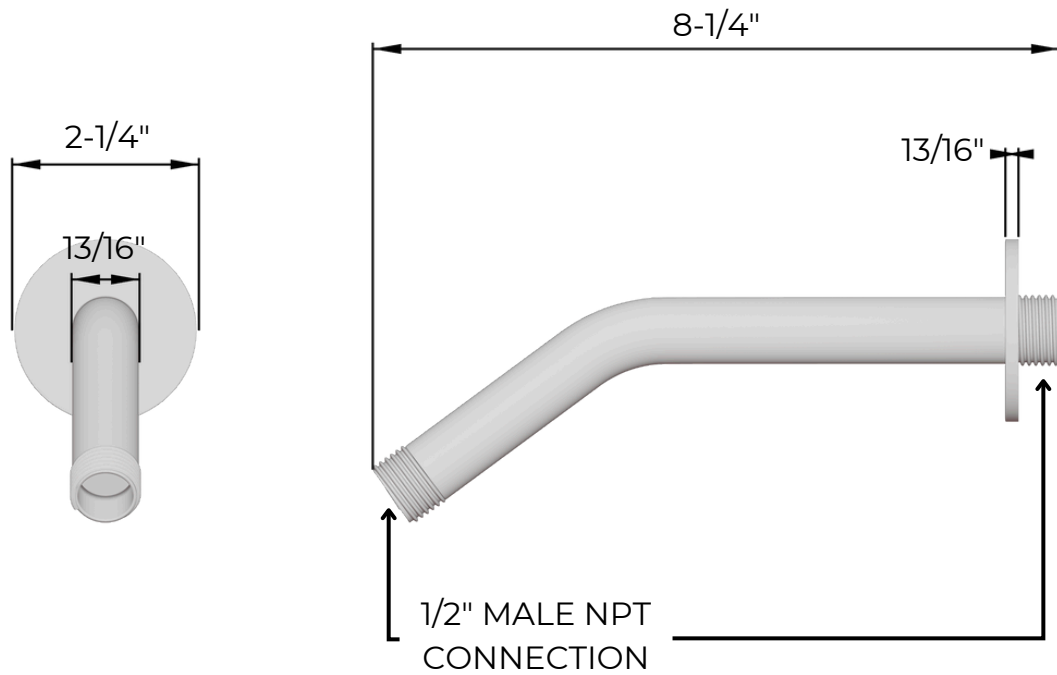
artos®

Round 2-Way Pressure Balance Shower Trim Kit  
with Rain Shower Head and Hand Held Shower

## PRODUCT DIMENSIONS

### PRODUCT SKU

F902-11



# TS255

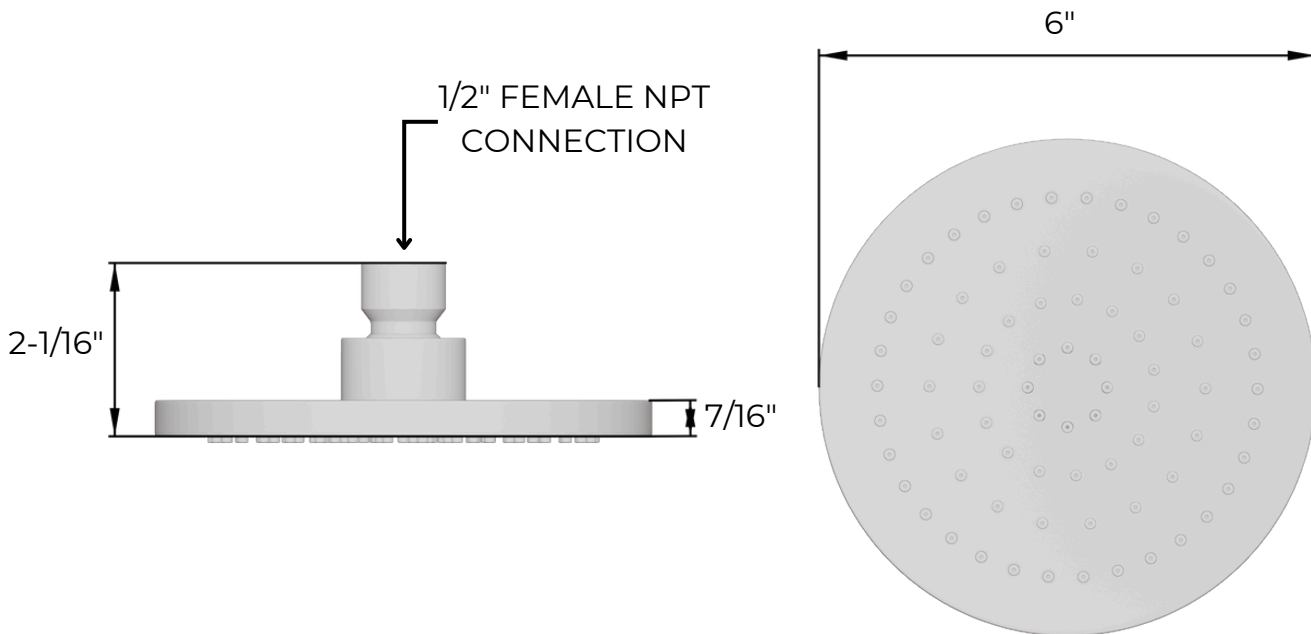
artos®

Round 2-Way Pressure Balance Shower Trim Kit  
with Rain Shower Head and Hand Held Shower

## PRODUCT DIMENSIONS

### PRODUCT SKU

F901-21



# TS255

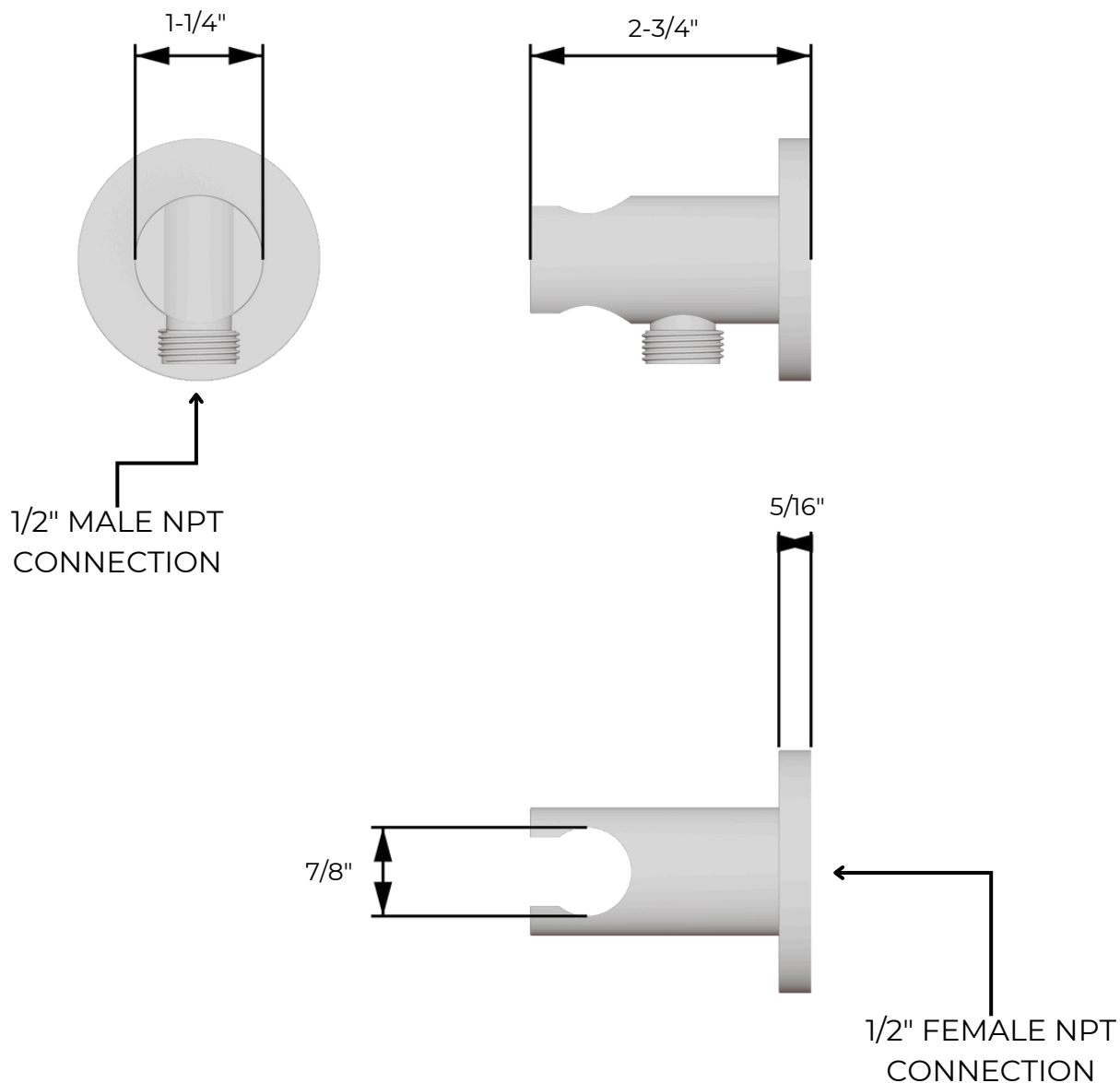
artos®

Round 2-Way Pressure Balance Shower Trim Kit  
with Rain Shower Head and Hand Held Shower

## PRODUCT DIMENSIONS

### PRODUCT SKU

F902-42



# TS255

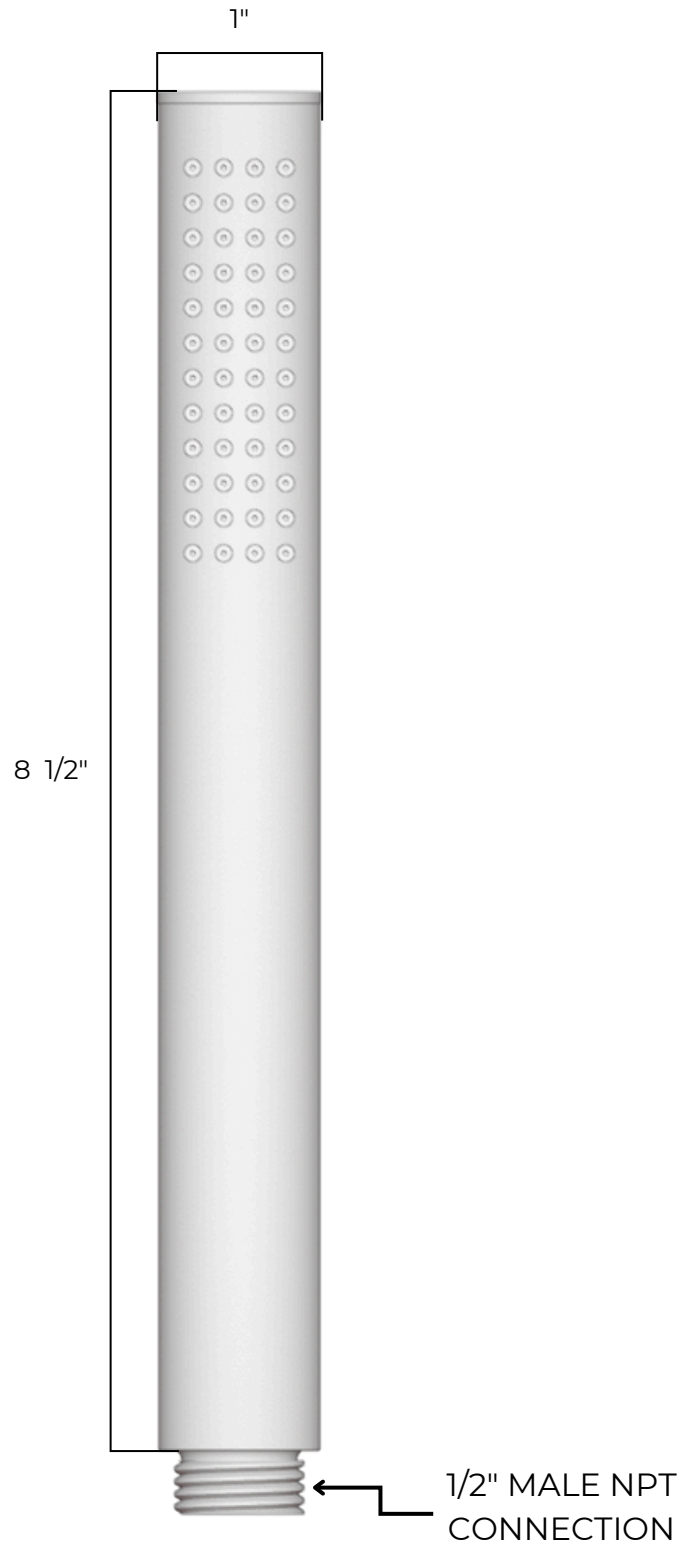
artos®

Round 2-Way Pressure Balance Shower Trim Kit  
with Rain Shower Head and Hand Held Shower

## PRODUCT DIMENSIONS

### PRODUCT SKU

F901-3



# TS255

Round 2-Way Pressure Balance Shower Trim Kit  
with Rain Shower Head and Hand Held Shower

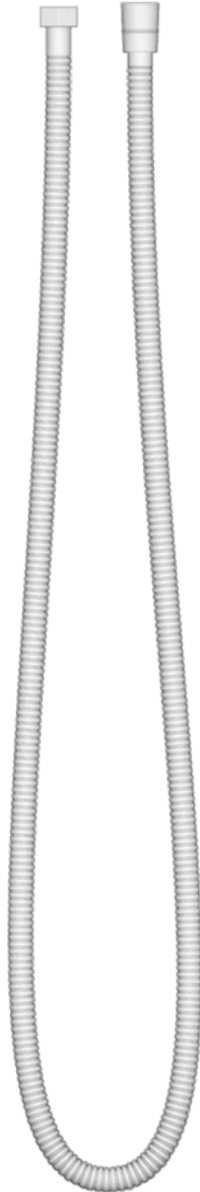
artos®

## PRODUCT DIMENSIONS

---

### PRODUCT SKU

F902-8



### METAL SHOWER HOSE

1/2" FEMALE NPT CONNECTIONS  
60" IN LENGTH