

TS254

artos®

Round 2-Way Pressure Balance Shower Trim Kit with Rain Shower Head and Hand Held Shower on Integrated Slide Bar

OPERATING SPECIFICATIONS



INCLUDES

Showerhead & Arm
Valve Trim
Integrated Slidebar & Handheld Shower

OPERATING PRESSURE

Minimum: 15 psi
Maximum: 125 psi
Above 90psi it may be necessary to install a pressure reducer

OPERATING TEMPERATURE

Maximum: 176°

FLOW CAPACITY

Shower Head: 1.8 USGPM
Handshower: 1.8 USGPM

STANDARDS

ASSE 1016-2011 | ASME_A112.1016-2011 |
CSA B125:16-11



TS254

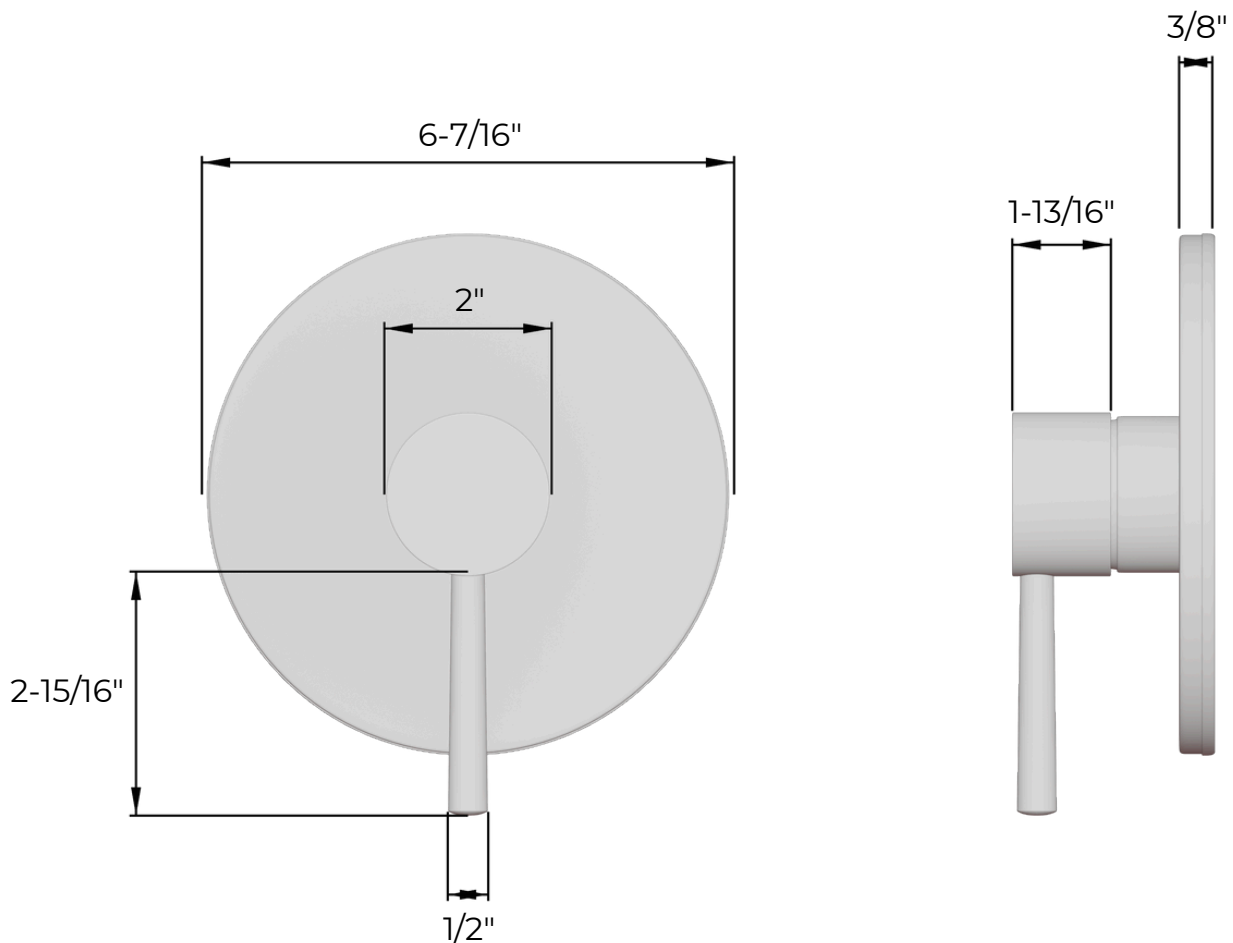
artos®

Round 2-Way Pressure Balance Shower Trim Kit
with Rain Shower Head and Hand Held Shower on
Integrated Slide Bar

PRODUCT DIMENSIONS

PRODUCT SKU

F980TK



TS254

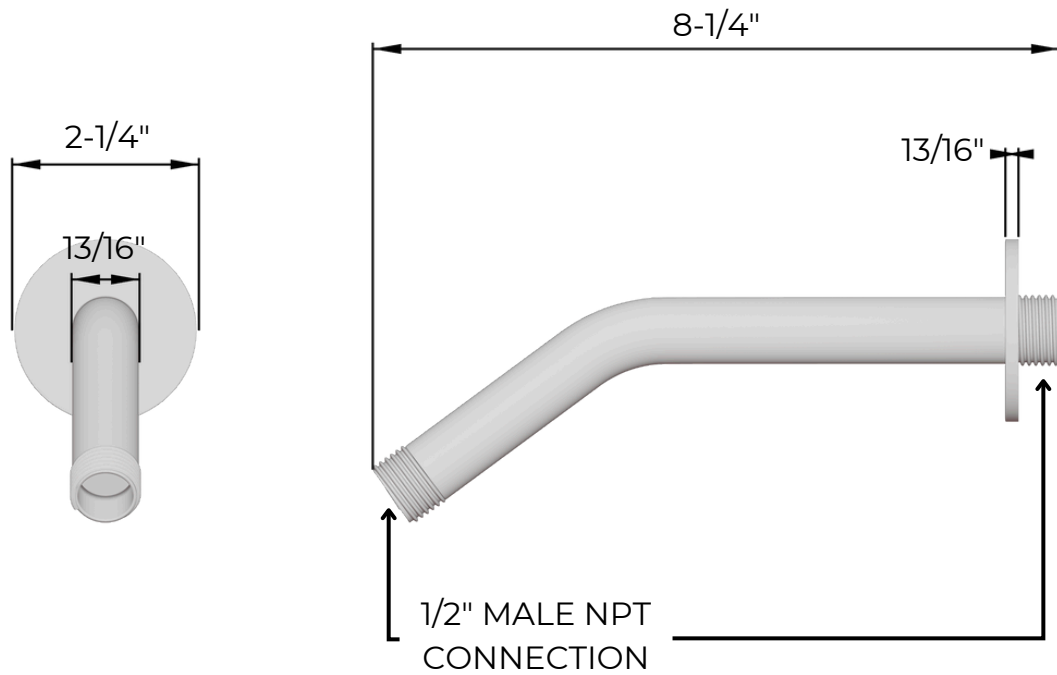
artos®

Round 2-Way Pressure Balance Shower Trim Kit
with Rain Shower Head and Hand Held Shower on
Integrated Slide Bar

PRODUCT DIMENSIONS

PRODUCT SKU

F902-11



TS254

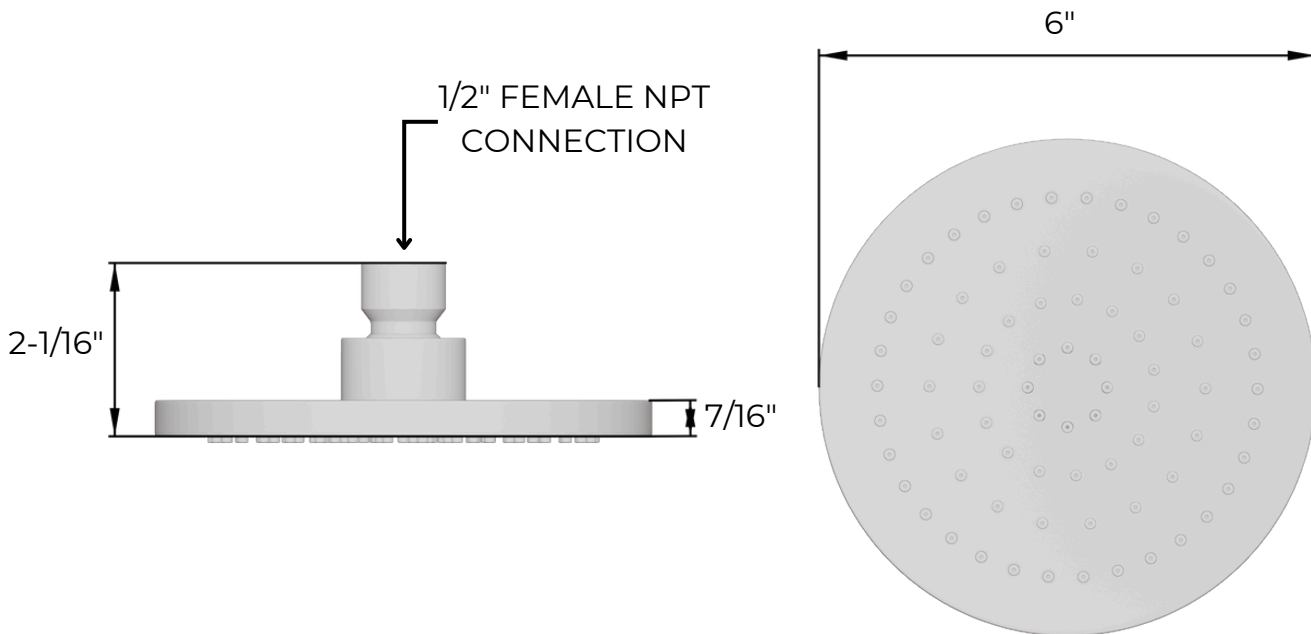
artos®

Round 2-Way Pressure Balance Shower Trim Kit
with Rain Shower Head and Hand Held Shower on
Integrated Slide Bar

PRODUCT DIMENSIONS

PRODUCT SKU

F901-21



TS254

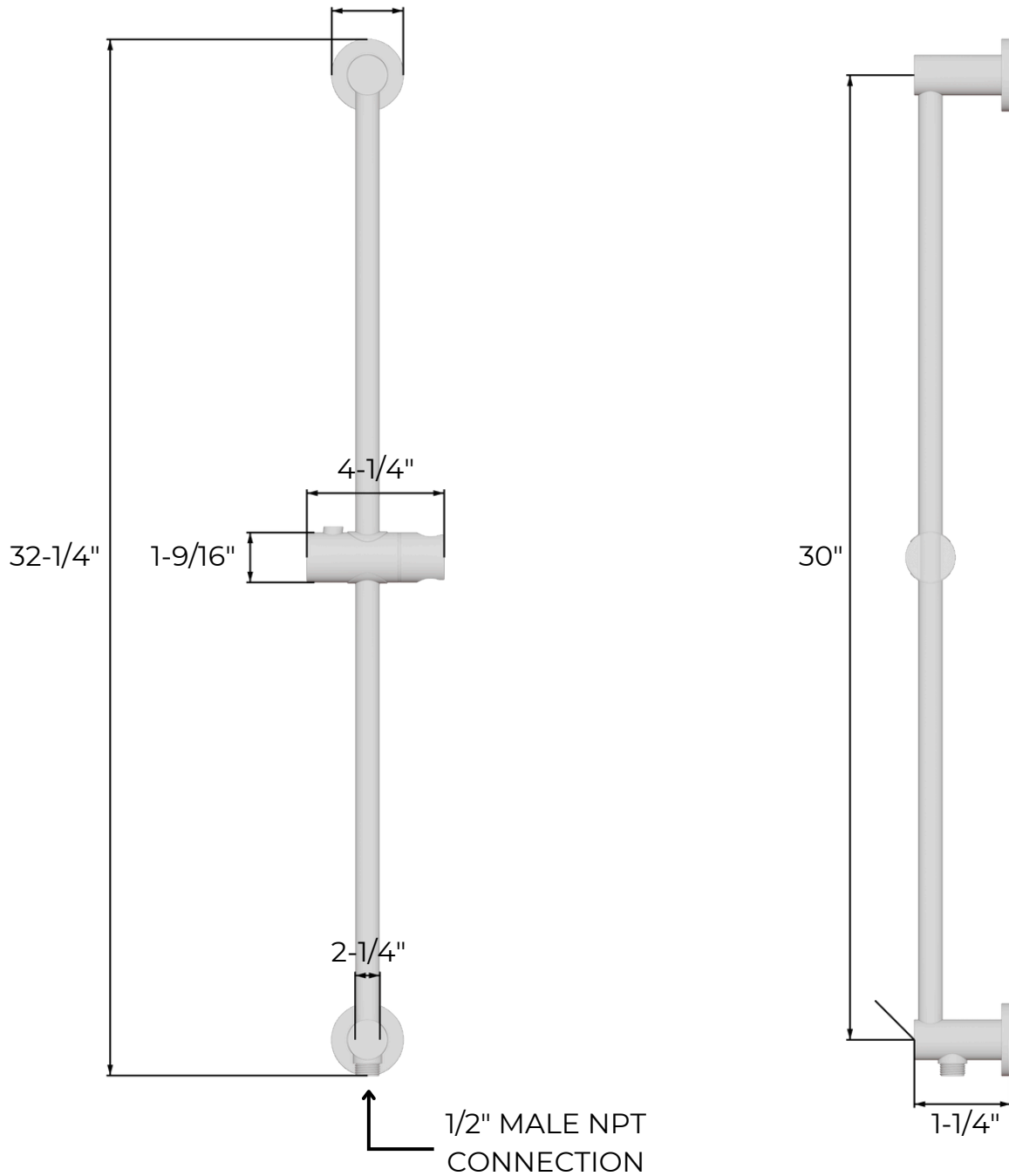
artos®

Round 2-Way Pressure Balance Shower Trim Kit
with Rain Shower Head and Hand Held Shower on
Integrated Slide Bar

PRODUCT DIMENSIONS

PRODUCT SKU

F907-89



TS254

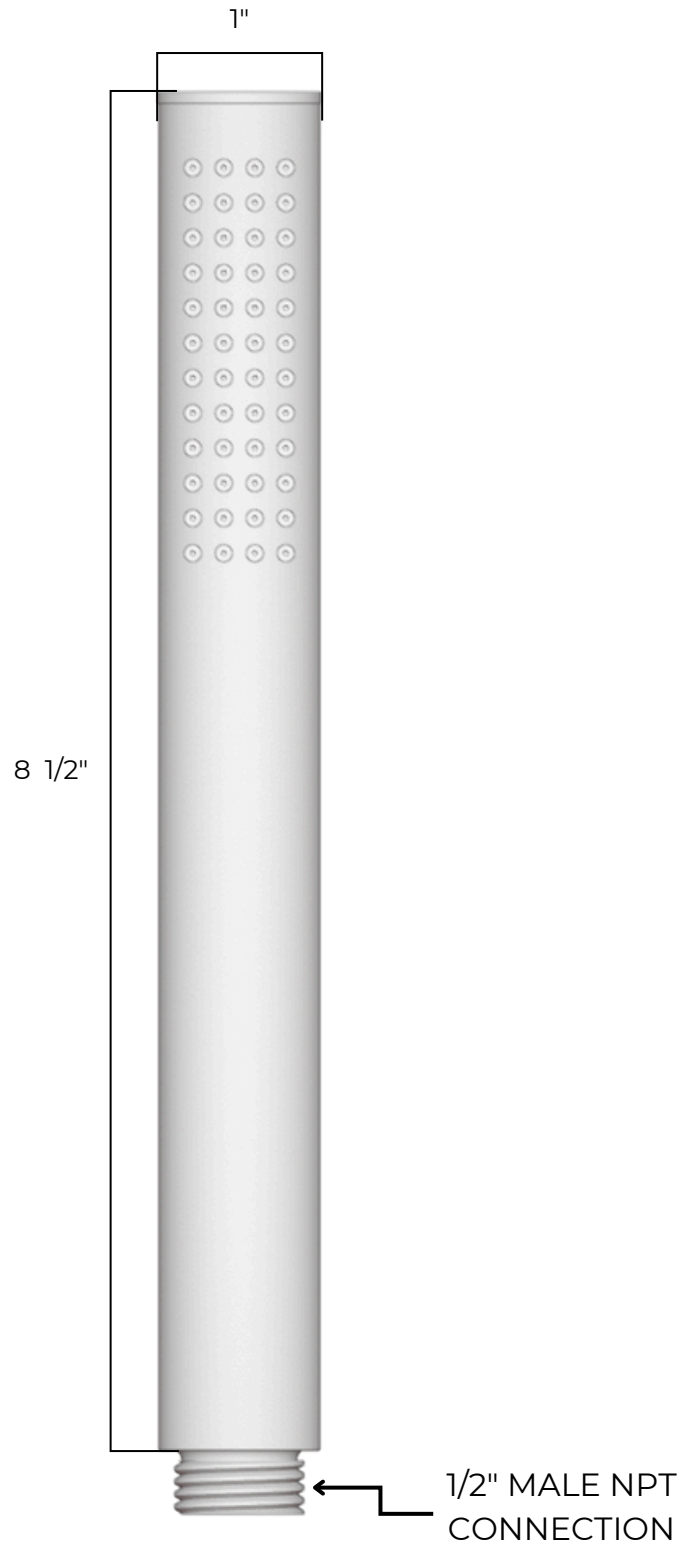
artos®

Round 2-Way Pressure Balance Shower Trim Kit
with Rain Shower Head and Hand Held Shower on
Integrated Slide Bar

PRODUCT DIMENSIONS

PRODUCT SKU

F901-3



TS254

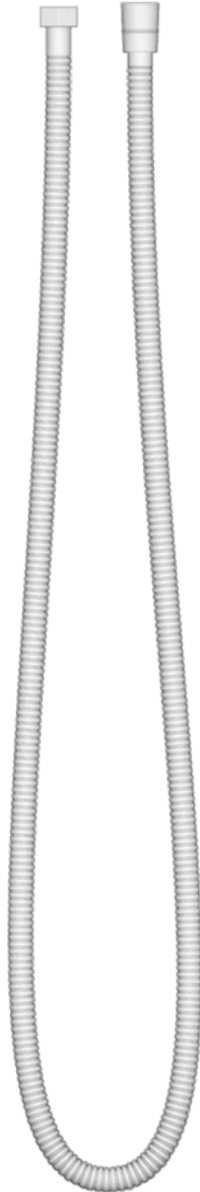
artos®

Round 2-Way Pressure Balance Shower Trim Kit
with Rain Shower Head and Hand Held Shower on
Integrated Slide Bar

PRODUCT DIMENSIONS

PRODUCT SKU

F902-8



METAL SHOWER HOSE

1/2" FEMALE CONNECTIONS
60" IN LENGTH