

# TS152

artos®

Round Pressure Balance Tub / Shower Trim Kit  
with Rain Head

## OPERATING SPECIFICATIONS



### INCLUDES

Showerhead & Arm  
Valve Trim  
Tub Filler

### OPERATING PRESSURE

Minimum: 15 psi  
Maximum: 125 psi  
Above 90psi it may be necessary to install  
a pressure reducer



### OPERATING TEMPERATURE

Maximum: 176°

### FLOW CAPACITY

Shower Head: 1.8 USGPM



### STANDARDS

ASSE 1016-2011 | ASME\_A112.1016-2011 |  
CSA B125:16-11



# TS152

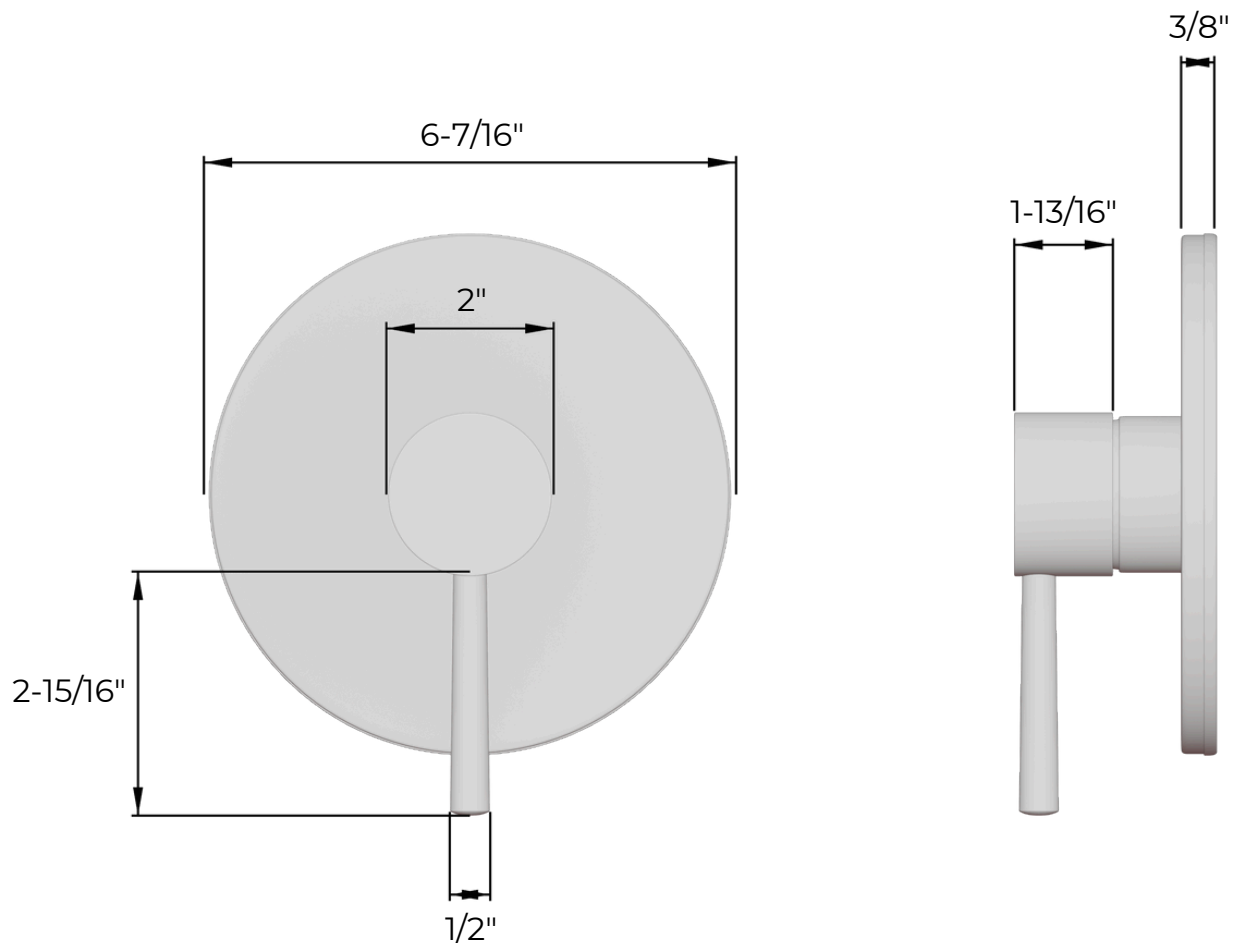
artos®

Round Pressure Balance Tub / Shower Trim Kit with Rain Head

## PRODUCT DIMENSIONS

### PRODUCT SKU

F980TK



# TS152

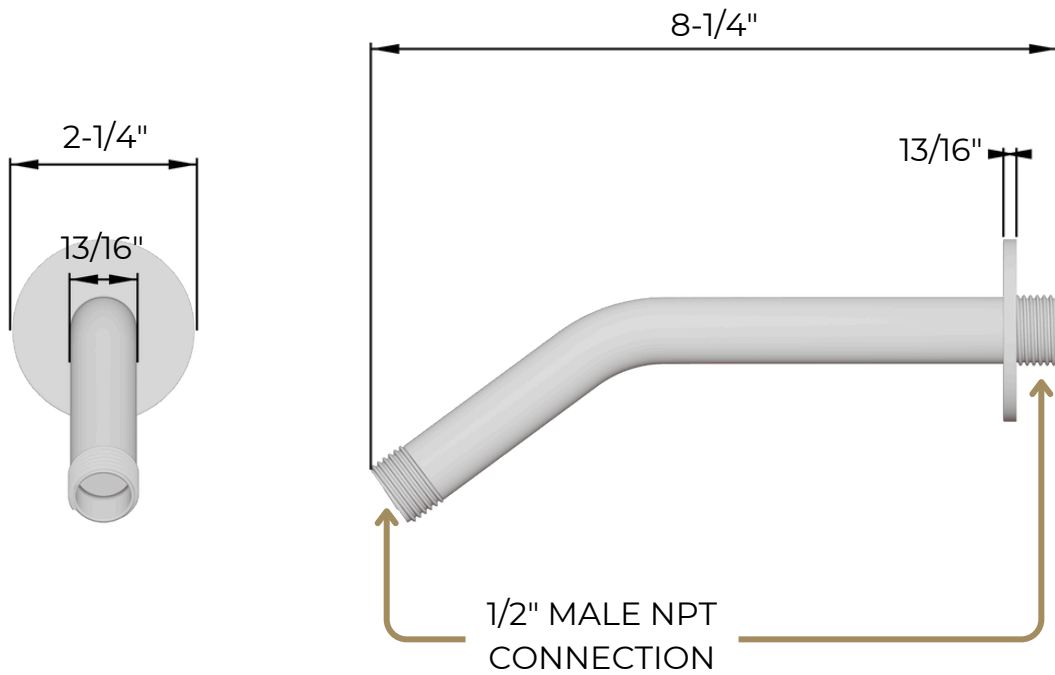
artos®

Round Pressure Balance Tub / Shower Trim Kit with Rain Head

## PRODUCT DIMENSIONS

### PRODUCT SKU

F902-11



# TS152

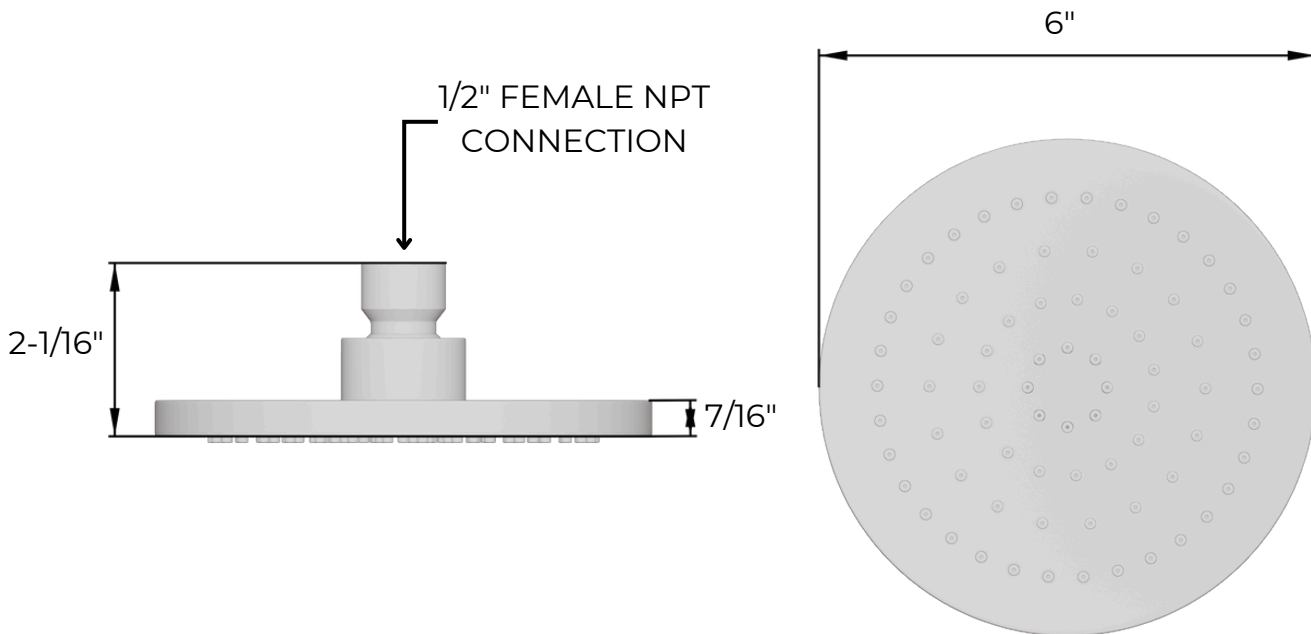
artos®

Round Pressure Balance Tub / Shower Trim Kit with Rain Head

## PRODUCT DIMENSIONS

### PRODUCT SKU

F901-21



# TS152

Round Pressure Balance Tub / Shower Trim Kit with Rain Head

artos®

## PRODUCT DIMENSIONS

### PRODUCT SKU

FSC1018

