

TS151

Round Pressure Balance Shower Trim Kit with Rain Head

artos®

OPERATING SPECIFICATIONS



INCLUDES

Showerhead & Arm
Valve Trim

OPERATING PRESSURE

Minimum: 15 psi
Maximum: 125 psi
Above 90psi it may be necessary to install
a pressure reducer



OPERATING TEMPERATURE

Maximum: 176°

FLOW CAPACITY

Shower Head: 1.8 USGPM

STANDARDS

ASSE 1016-2011 | ASME_A112.1016-2011 |
CSA B125:16-11



TS151

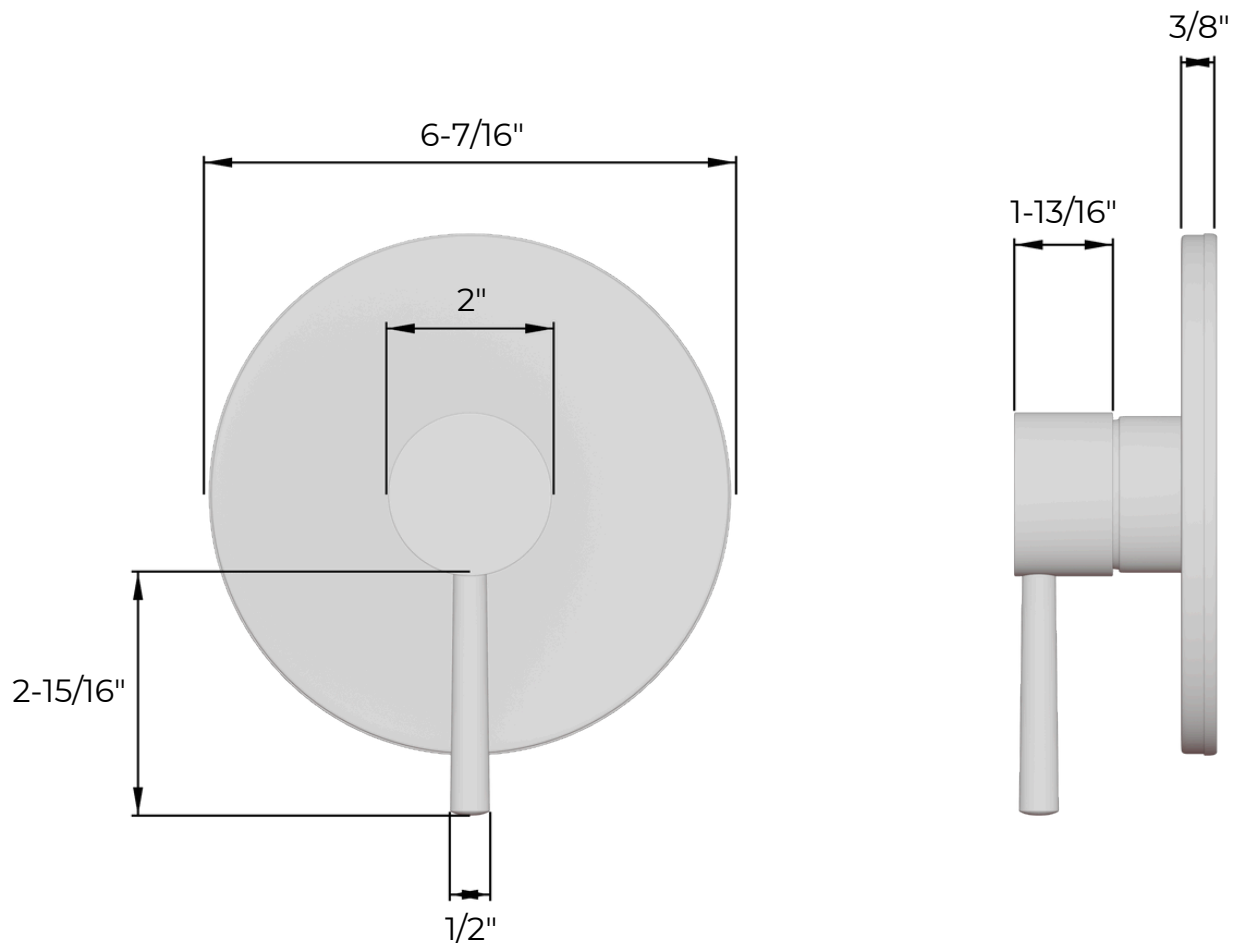
artos®

Round Pressure Balance Shower Trim Kit with Rain Head

PRODUCT DIMENSIONS

PRODUCT SKU

F980TK



TS151

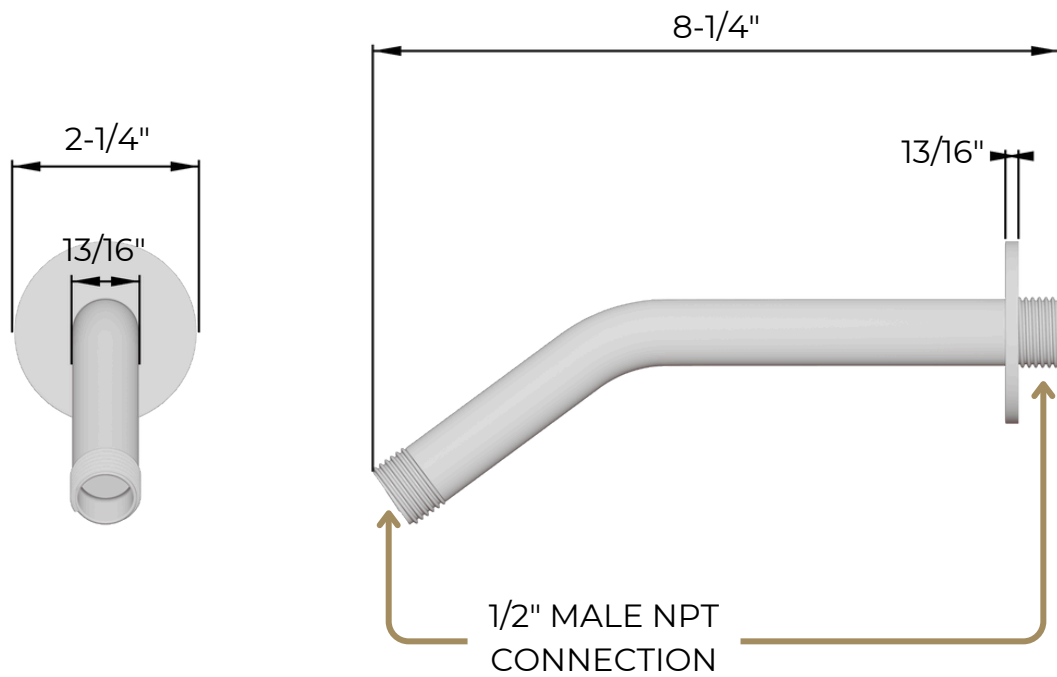
Round Pressure Balance Shower Trim Kit with Rain Head

artos®

PRODUCT DIMENSIONS

PRODUCT SKU

F902-11



TS151

artos®

Round Pressure Balance Shower Trim Kit with Rain Head

PRODUCT DIMENSIONS

PRODUCT SKU

F901-21

