



California Faucets®

Coronado™

Two Handle Lavatory Wall Faucet Trim Only

Features

- 25+ artisan finishes including 10+ PVD finishes
- All brass construction
- 1.2gpm (4.5 L/min) max flow rate
- Rough valve (VL-R) sold separately

| | |
|------------------|------------------|
| TO-V5602-9 | TO-V5602-7 |
| TO-V5602-9-MIDX | TO-V5602-7-MIDX |
| TO-V5602-9-WP | TO-V5602-7-WP |
| TO-V5602-9-ADC | TO-V5602-7-ADC |
| TO-V5602X-9 | TO-V5602X-7 |
| TO-V5602X-9-MIDX | TO-V5602X-7-MIDX |

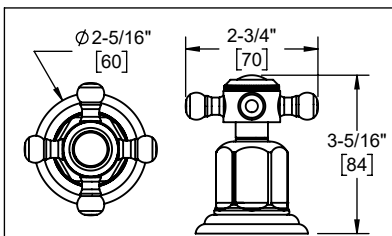
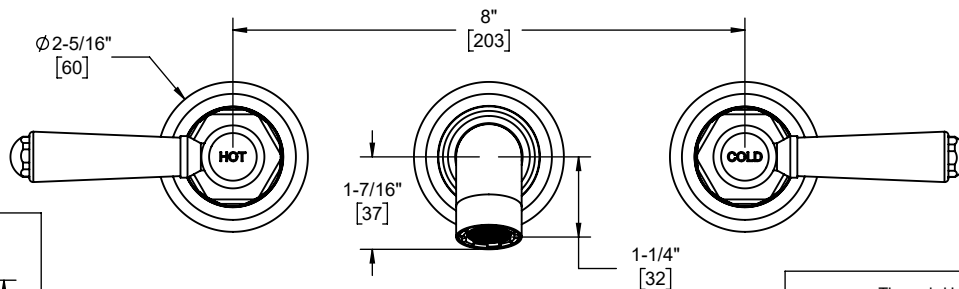
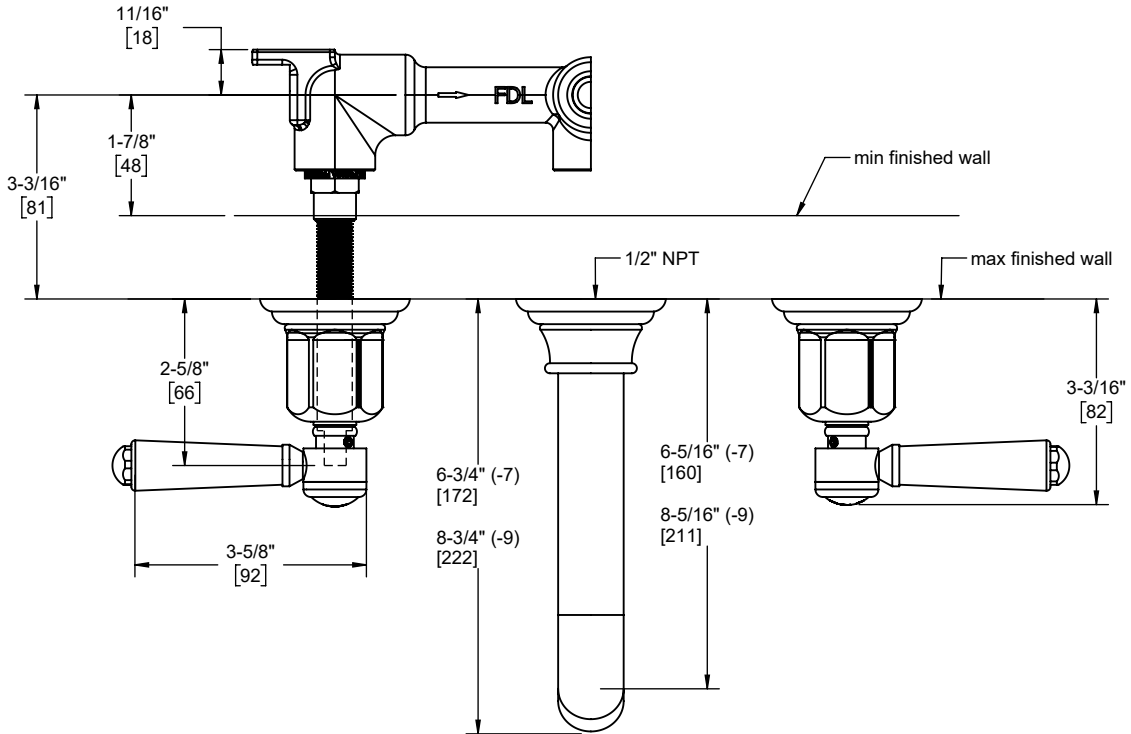
Codes/Standards Applicable

Product meets or exceeds the following:

- ASME A112.18.1/CSA B125.1
- NSF 61, NSF 372, CEC & DOE
- EPA WaterSense
- Commonwealth of MA
- ADA compliant



TO-V5602-7-SN shown



Specifications subject to change without notice

| Through-Hole Specifications | | | |
|-----------------------------|---------------|---------------|---------------|
| | Min | Recommended | Max |
| Spout: | Ø 15/16" [24] | Ø 1-1/4" [32] | Ø 1-5/8" [41] |
| Handle: | Ø 11/16" [17] | Ø 1-1/4" [32] | Ø 1-5/8" [41] |

Dimensions are inches, rounded to 1/16"
[Dimensions in brackets are mm, rounded to 1mm]