

## SPECIFICATIONS

### DESCRIPTION

- 1-jet hand shower/scale-free
- Trim only

### STANDARDS

- CSA B125.1
- ASME A112.18.1
- ADA

### WARRANTY

- Most products or parts carry "Limited Warranties" against manufacturing defects. For US customers please visit [houseofrohl.com/support](http://houseofrohl.com/support) and for Canadian customers please visit [riobel.ca](http://riobel.ca) for complete product and finish warranty.

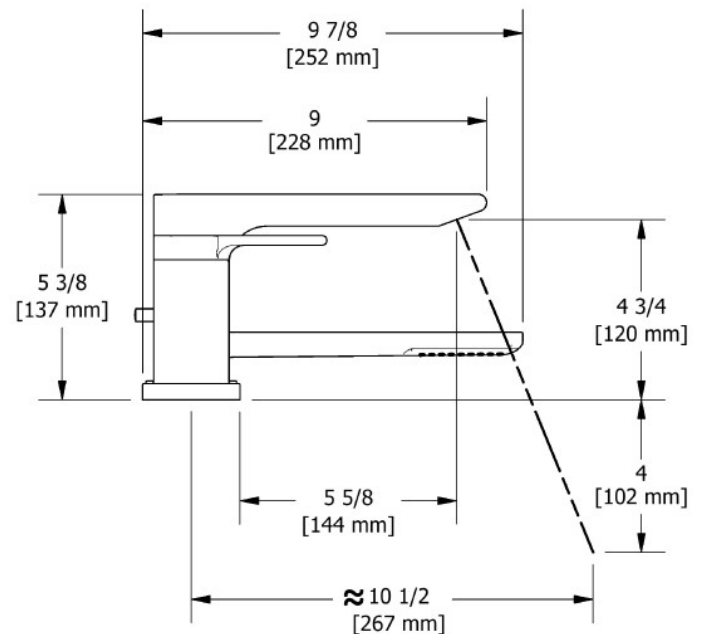
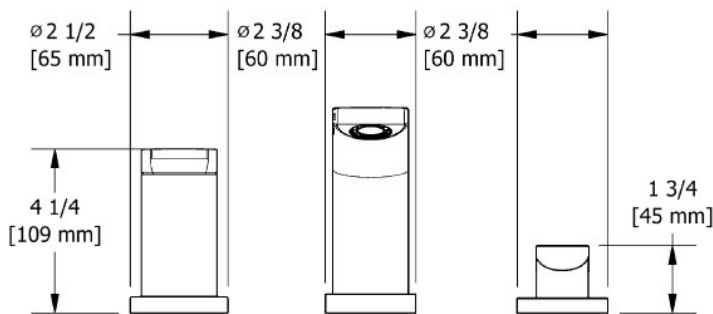


### Fresk

3-piece deck-mount tub filler with hand shower trim

**MODELS:** TFR10

ADA  cUPC®



U.S.A.  
[houseofrohl.ca/support](http://houseofrohl.ca/support)  
 1-800-777-9762

QUEBEC / MARITIMES / WESTERN CANADA  
[houseofrohl.ca/support](http://houseofrohl.ca/support)  
 1-866-473-8442

ONTARIO  
[houseofrohl.ca/support](http://houseofrohl.ca/support)  
 1-800-287-5354