

SPECIFICATIONS

DESCRIPTION

- R51, R51-SPEX or R51-EX rough required to complete
- Ceramic cartridge and balancing spool with check valves
- Double action: flow and temperature control
- Trim only

FLOW

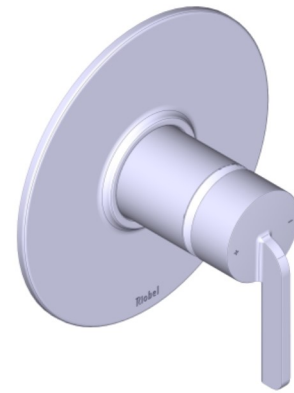
- 22L/min, 5.8gpm (US) 60psi

STANDARDS

- CSA B125.1 / ASME A112.18.1
- ASSE 1016
- ADA

WARRANTY

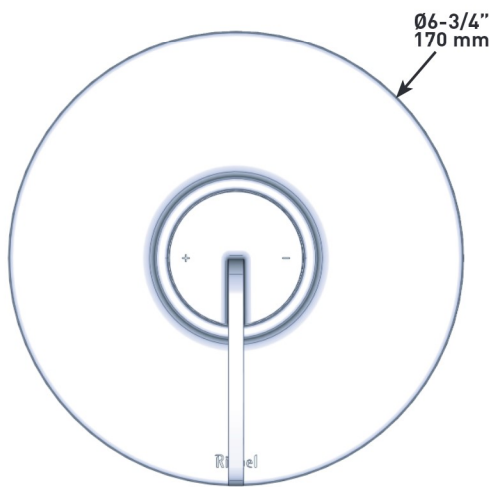
- Most products or parts carry "Limited Warranties" against manufacturing defects. For US customers please visit houseofrohl.com/support and for Canadian customers please visit houseofrohl.ca/support for complete product and finish warranty.



AUTHENTICA

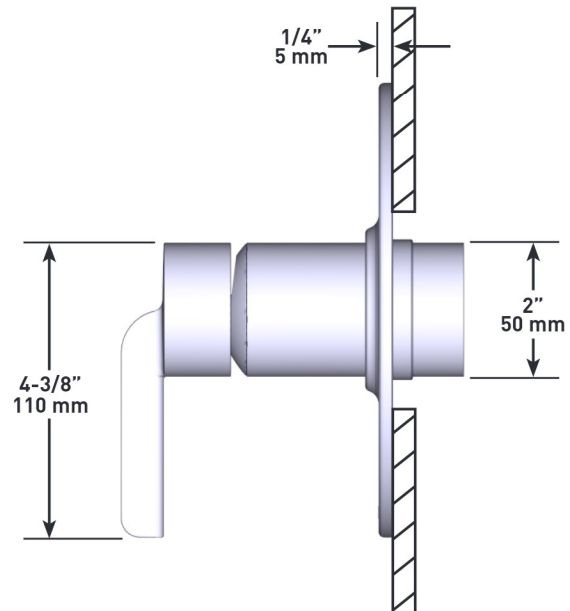
Type P (pressure balance) valve trim

MODELS: TAU51 SERIES



ADA

UPC®



For warranty or additional information, contact:

U.S.A.
houseofrohl.com/support
 1-800-777-9762

QUEBEC / MARITIMES / WESTERN CANADA
 QUÉBEC / MARITIMES / OUEST CANADIEN
 QUEBEC / MARITIMOS / CANADA OCCIDENTAL
houseofrohl.ca/support
 1-866-473-8442

ONTARIO
houseofrohl.ca/support
 1-800-287-5354