

# Saniswift® Pro

## COMMERCIAL/RESIDENTIAL DRAIN PUMP

### TECHNICAL SPECIFICATIONS

**Motor/Electrical:**

0.3 HP / 120 V - 60 Hz / 4.5 Amps (Max)

**Noise level:**

≤ 44 dBA (Lp) (measured at 3 ft.)

**Discharge pipe diameter:**

1", 1-1/4", 1-1/2"

**Discharge rate at 14 ft:**

18 GPM

**Discharge rate at 3 ft:**

24 GPM

**Shut-off head:**

25 ft.

**Weight:**

16 lbs

**Certifying agencies:**

CSA (IPC, NSPC), IAPMO (UPC)



Part#  
022

### FEATURES

- **Powerful and economical** with a compact quiet design (9 3/4" x 12-1/4" x 11 1/4").
- Pre-assembled system with **2" low inlets with built-in check valves**. Will discharge up to 14 Ft vertically.
- **Superior water detection system (air pressure switch)** giving a longer life expectancy without any maintenance.
- Built with heavy-duty enclosure for **chemical drain resistance and with easy access to major components** while installed.
- **CSA certified & IAPMO listed** for nationwide compliance.



800-571-8191

Saniflo  SFA GROUP

saniflo.com

# Saniswift® Pro

Part # 022

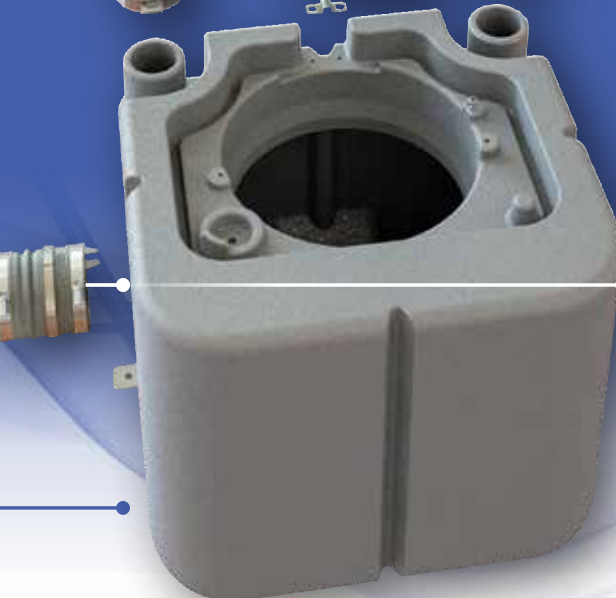
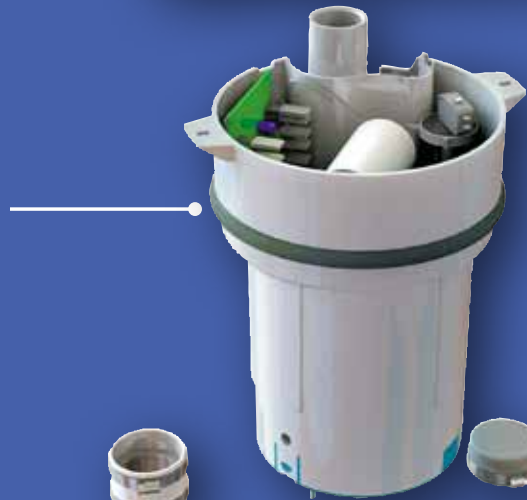
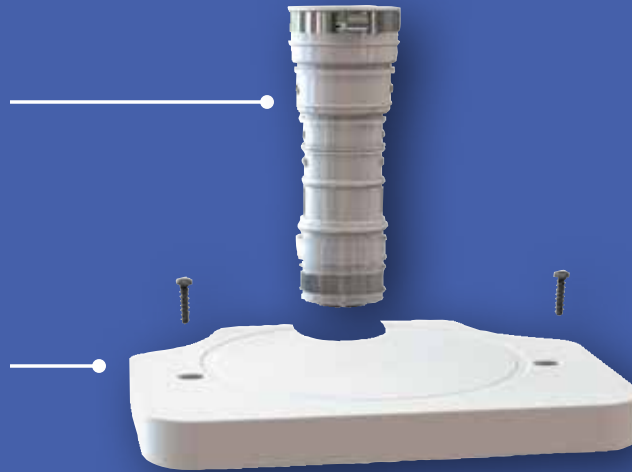
Discharges through  
**1", 1-1/4" or 1-1/2"**  
pipe.

**Easy access to  
major components.**  
No need to remove  
or disconnect.

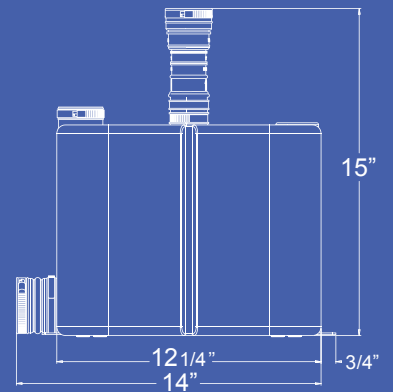
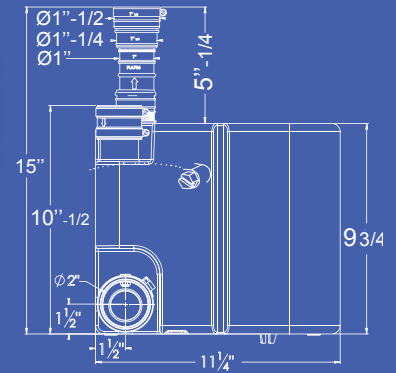
Air pressure switch  
activated providing  
a **superior water  
detection system.**

Heavy-duty  
enclosure for  
**chemical drain  
resistance** and  
designed with  
**2" low inlets**  
with built-in  
check valves.

CSA & IAPMO listed  
for **nationwide  
compliance.**



## DIMENSIONAL DRAWINGS



# TECHNICAL SPECIFICATIONS

## CONNECTIONS



SHOWER



SINK



DISHWASHER



LAUNDRY

## APPLICATION



RESIDENTIAL



COMMERCIAL

# Saniswift® Pro Drain Pump



Example of installation. Follow local plumbing codes for actual install.

The **Saniswift Pro drain pump** is used to pump gray water away from a variety of fixtures in **residential and commercial applications**. The system is able to discharge the waste up to **14 feet vertical and/or 140 feet horizontal**.

- Discharges the waste through either a **1", 1-1/4" or 1-1/2"** rigid pipe. A **non-return valve is included** on the discharge fitting assembly provided with the system.
- Has been designed with a **1-1/2" vent connection** on top of the lid. All plumbing codes require connection to a vent system. Either inlet located on top of the housing can be used for the vent or as an inlet. Please note that the vent system should be a two-way air vent as air needs to freely flow both ways. Note: The use of mechanical vents, air admittance valves or similar devices is not permitted.
- Discharges **gray water from a kitchen sink, shower, dishwasher, washing machine** (indirect connection via laundry sink). The gray water will drain into the **system via three inlets**, two 2" inlets (with built-in check valves) on either side of the housing and one 1-1/2" inlet on top of the enclosure.
- An easy access service panel is located on top of the pump. This **will provide accessibility to the electrical components** such as the capacitor, pressure switch, and electronic board without the need to remove or disconnect the pump. For a full list of parts, please refer to the next page.

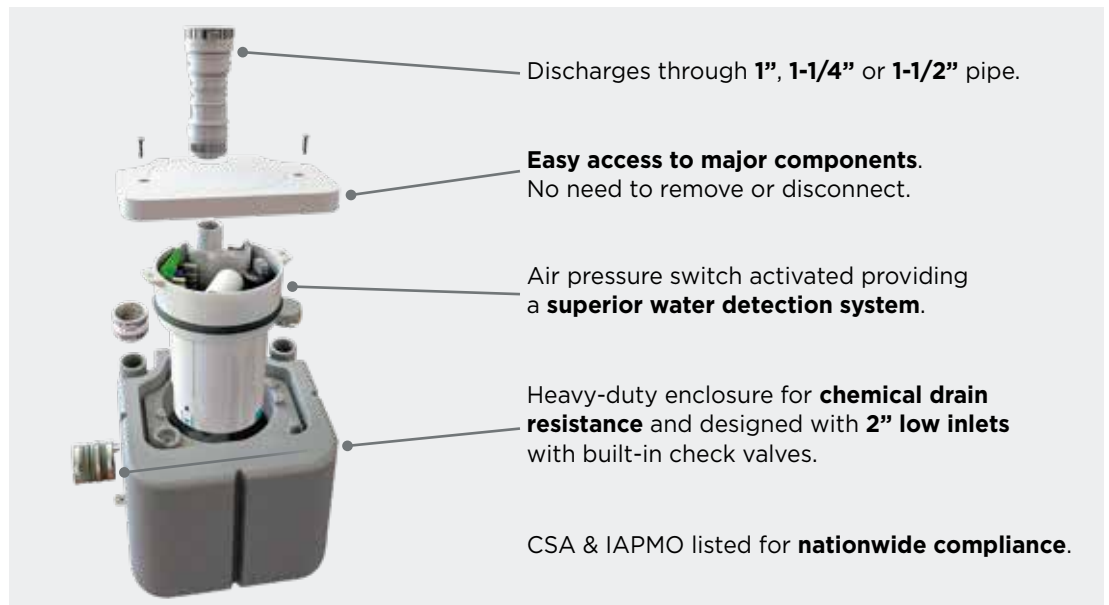


## PUMPING DISTANCE

14 Ft

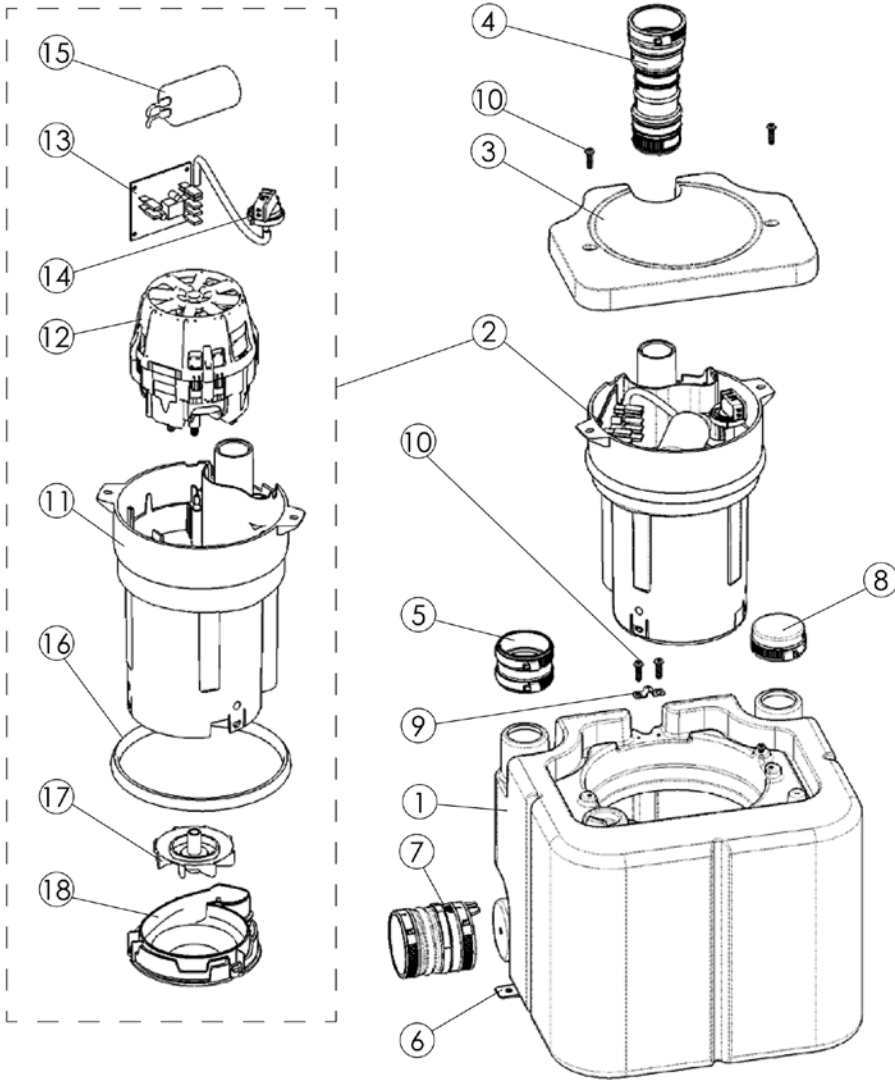


140 Ft

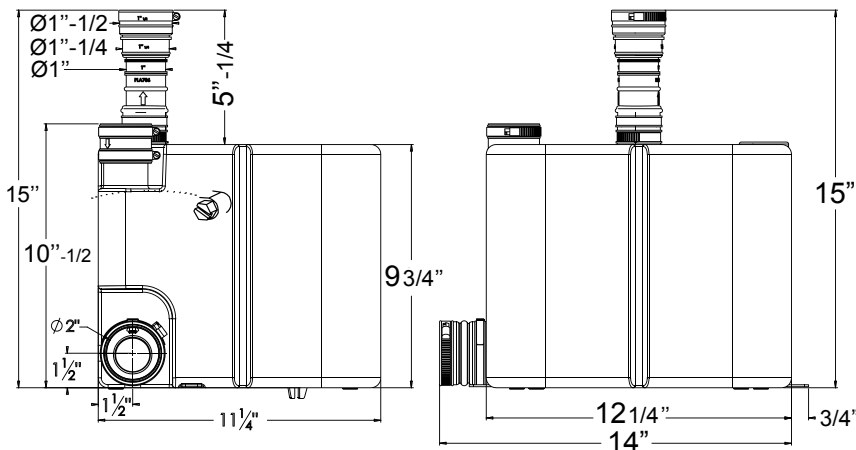


# TECHNICAL SPECIFICATIONS

PLEASE CALL US TOLL-FREE AT  
 800-571-8191 (US) / 800-363-5874 (CDN)  
 TO PURCHASE PARTS REFERENCED BELOW



## DIMENSIONAL DRAWINGS



An easy and inexpensive solution for gray water applications!

## TECHNICAL SPECIFICATIONS

**Pump type:**

Drain pump

**Electrical:**

120 V - 60 Hz / 4.5 Amps (Max)\*

**Motor:**

0.3 HP oil-filled thermally protected motor

**Capacitor rating:**

30 microfarad

**Operating Temperature:**

140°F

**Power cord length:**

48 inches

**Noise level:**

≤ 44 dBA (Lp) (measured at 3 ft.)

**Discharge pipe diameter:**

1" - 1-1/2"

**Discharge rate at 14 ft:**

18 GPM

**Discharge rate at 3 ft:**

24 GPM

**Shut-off head:**

25 ft.

**Normal running time:**

3-5 seconds (Short bursts)

**Capacity:**

2.9 gallons / 11 liters

**Inlets:**

2" (sides), 1-1/2" vent (top)

**Method of activation:**

pressure switch/ circuit board

**Shower/bathtub base height:**

6" min

**Weight:**

16 lbs / 7.3 kg

**Certifying agencies:**

CSA (IPC, NSPC), IAPMO (UPC)

**Recommended accessories:**

Descaler

**Connections:**

Sink, shower, washing machine (indirect),  
 dishwasher, laundry sink, etc.

\* Measured using 1" discharge. Information  
 will vary once the discharge size is increased  
 Consult with factory.

