

### FEATURES

#### RP Bowl

- DYNAMAX™ TORNADO FLUSH® system, high efficiency (1.28GPF/0.9GPF)
- CEFIONTECT® ceramic glaze - prevents debris, mold from sticking to ceramic surfaces
- Universal Height
- D-shape front bowl

#### SoftClose® Seat

- D-shape closed front toilet seat and cover with SoftClose hinge system
- Mounting hardware included
- Made from urea resin
- Quick release hinges for easier cleaning

#### DuoFit® In-Wall Tank

- High-efficiency dual flush 1.28 & 0.9 GPF (4.8 & 3.4 LPF)  
Avg. flush 1.03 GPF
- Adjustable 15"-19" mounting height
- Saves up to 9" of floor space compared to standard floor-mounted toilet
- Supports up to 880lbs
- Commercial 2" x 6" or optional residential installation with 2" x 4" wall studs with waste outlet kit
- Copper supply line

### KIT COMPONENTS

- CT447CFG#01  
RP Wall-Hung Toilet
- WT172M  
In-Wall Tank System (Copper Pipe)
- SS247#01  
Slim D-Shape SoftClose Seat
- YT930#WH  
Basic Round Push Plate - White Matte
- YT930#MS  
Basic Round Push Plate - Matte Silver

#### Available Options

- YT970#SS - Stainless Steel
- YT970#B - Black
- YT970#W - White
- YT970#N - Nickel

### COLORS/FINISHES

- #SS - Stainless Steel
- #B - Black
- #W - White
- #N - Nickel



 **DYNAMAX TORNADO FLUSH**

 **SKIRTED DESIGN**

 **CEFIONTECT**

 **UNIVERSAL HEIGHT**

### CODES/STANDARDS

- Meets and exceeds:
  - Bowl: ASME A112.19.2/CSA B45.1, ASME A112.19.14
  - Carrier System: ASME A112.6.2
  - Tank Trim: IAPMO PS50, CSA B125.3, ASSE1002
- Certifications: IAPMO (cUPC), EPA WaterSense, State of Massachusetts, City of Los Angeles and others
- Legislative compliance: California AB715, California Green Building Code, City of Los Angeles Water Efficiency Ordinance
- Code Compliance: UPC, IPC, NSPC, NPC Canada, and others
- Complies with CA Prop 65 warning requirements



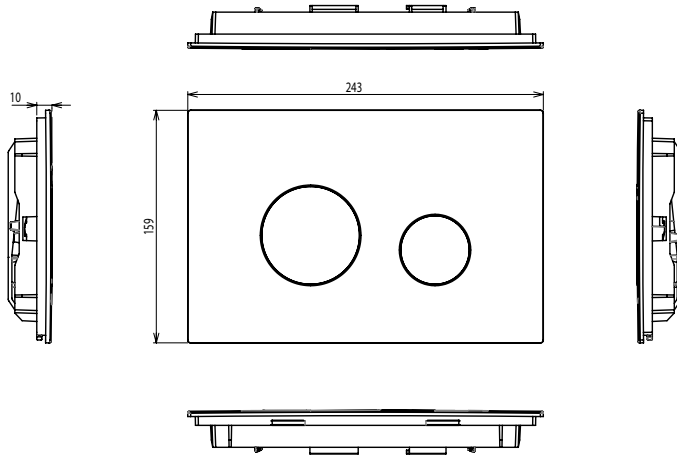


# CWT447247CMFG

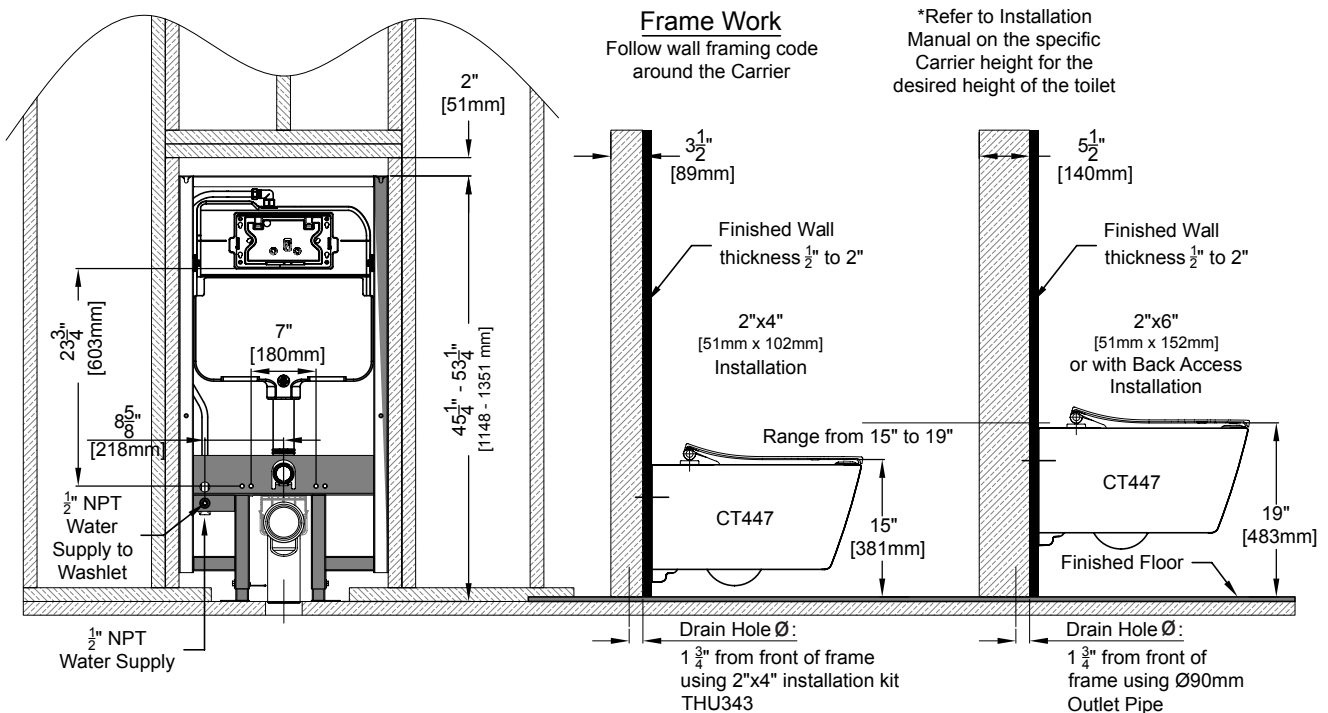
## RP Wall-Hung Toilet, 1.28GPF & 0.9GPF

### PRODUCT DIMENSIONS

#### YT930



#### WT172M



**TOTO**

These dimensions and specifications are subject to change without notice