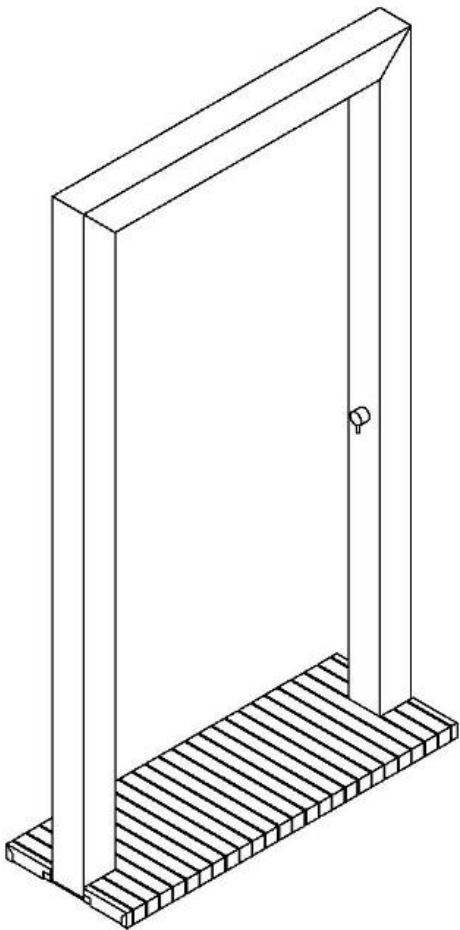


## MINNO Outdoor Shower



### Ordering Information:

Material:	Standard Decors:*	Supply Direction:	Additional Features:					
S	P	BF SF	SM	HC	LE	WT**	L	DE
	SB							
FB								
C	SLS							
	GWL							
	SNL							
	SL							
	GC							
	SM							

\*For Custom Decors check the Catalogue or contact the sales representative

\*\* Available for Ceramic material only

### ORDERING INFORMATION

#### Material

- ❖ S, collection made of natural stone *Kanfanar* (\*other stone type on request)
- ❖ C, collection made of of *The Marazzi* porcelain stoneware.

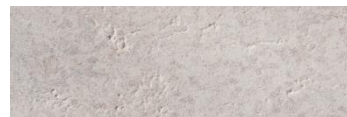
#### Standard Decors

Standard Decors available for S collection:

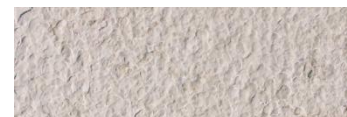
- ❖ P - Polished



- ❖ SB - Sandblasted & Brushed



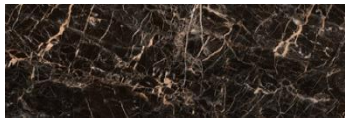
- ❖ FB - Flamed & Brushed



**Standard Decors**

Standard Decors available for **C** collection:

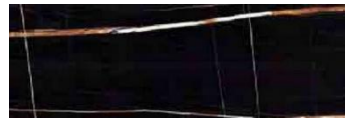
❖ **SLS** - Saint Laurent Satin



❖ **GWL** - Golden White Lux



❖ **SNL** - Sahara Noir Lux



❖ **SL** - Statuario Lux



❖ **GCS** - Grigio Carnico Satin



❖ **SM** - Smoke Natural/Matt

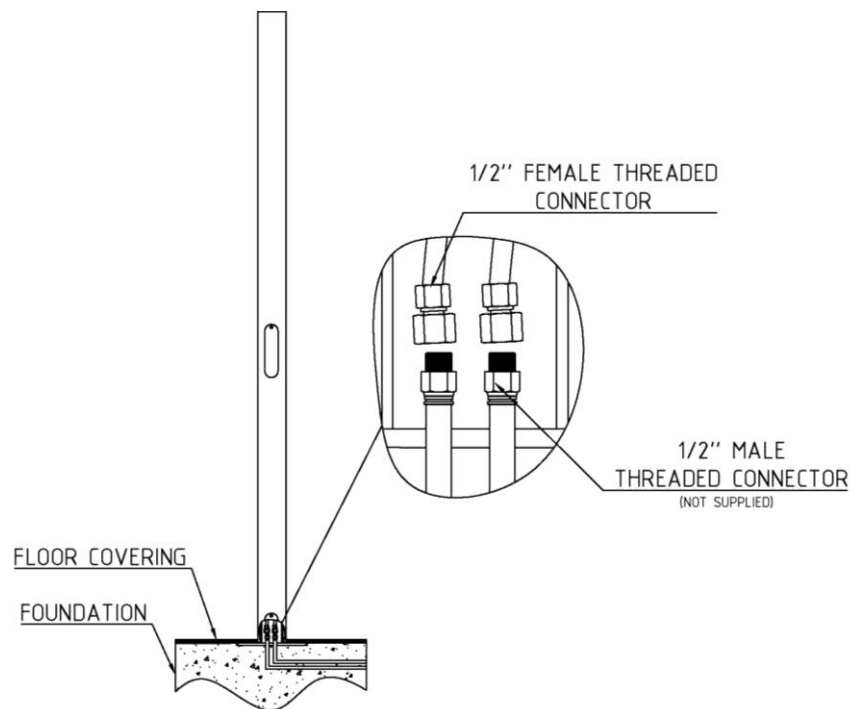


**Supply Direction**

Two options for shower installation:

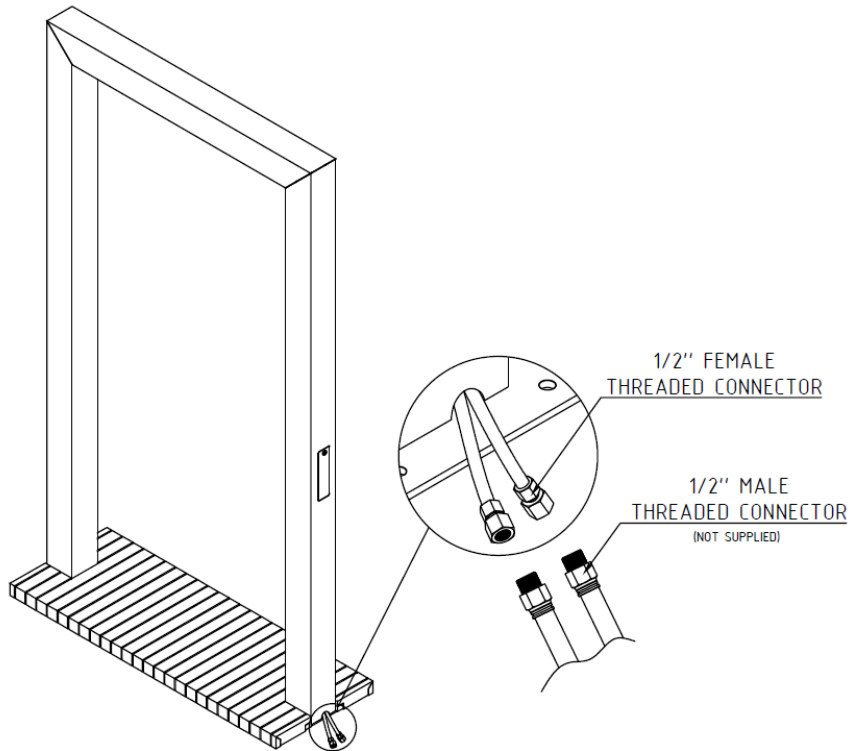
❖ **Back Feed**

- Underground supply installation prepared
- Necessary height of inlets and fitting connection type to be made according the provided Installation Instruction



**❖ Side Feed**

- Connection enabled outside shower body
- No underground preparation needed
- Corresponding fittings must be provided on the supply ends



For more details, please refer to ***Installation Instructions***.

**Additional features**

With each shower following additional features are possible:

- ❖ L - Ambient LED lighting designed by Filix
- ❖ MS – Motion Sensor\*
- ❖ HC - Anti-frost heating cable
- ❖ LE - Logo engraving
- ❖ WT - Solar heated 3,5l / 0,8gal water tank\*\*
- ❖ DE – Decking floor covering

\*On request if desired both cold and hot water

\*\* Available for Ceramic material only

**SPECIFICATION FEATURES****Shower System**

Consists of:

- ❖ 3 flexible stainless steel knitted hose ½''
- ❖ 2-way mixing mechanism with faucet and handle, showerhead
- ❖ The informed Nattura S shower catalyst with beneficial well-being effects

This basic system is subject to change depending on chosen additions.

**Water Pressure**

- ❖ Min = 2 bar ~ 29 PSI [lb/in<sup>2</sup>]
- ❖ Max = 4 bar ~ 58 PSI [lb/in<sup>2</sup>]

**Operating Voltage**

- ❖ 24VDC (If additional features are chosen)

**Maintenance**

Regularly clean with soft cloth.

**Usage**

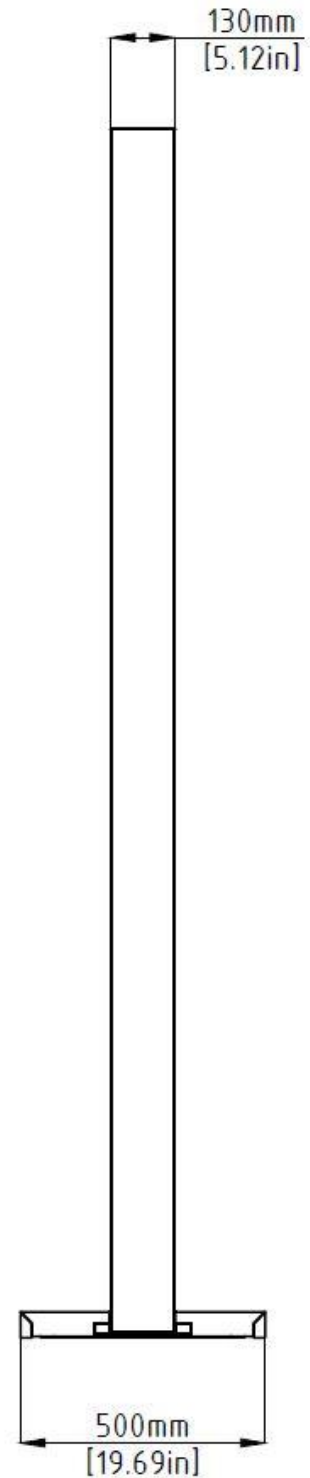
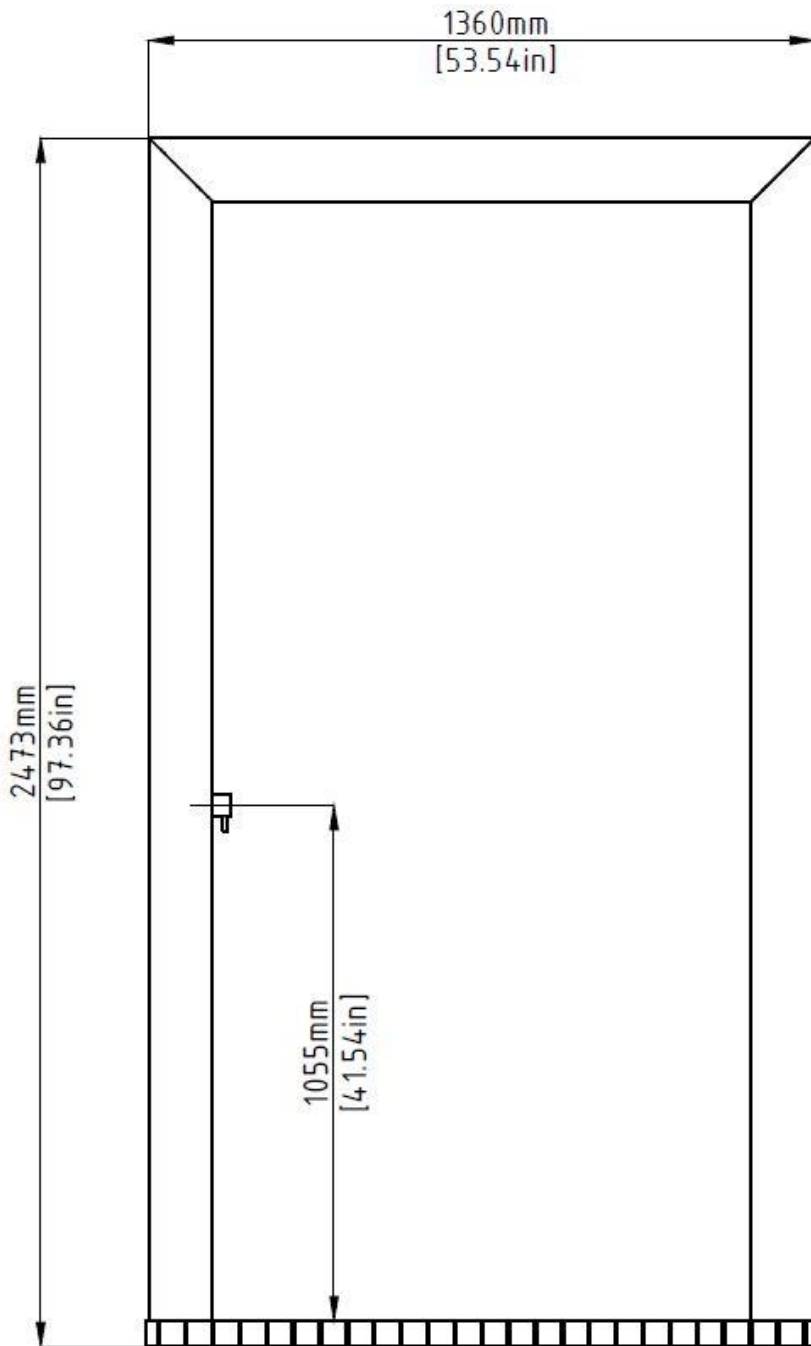
- ❖ Outdoor

**Warranty**

3 years warranty regarding defects in material and shower system.

PRODUCT DIMENSIONS AND WEIGHT

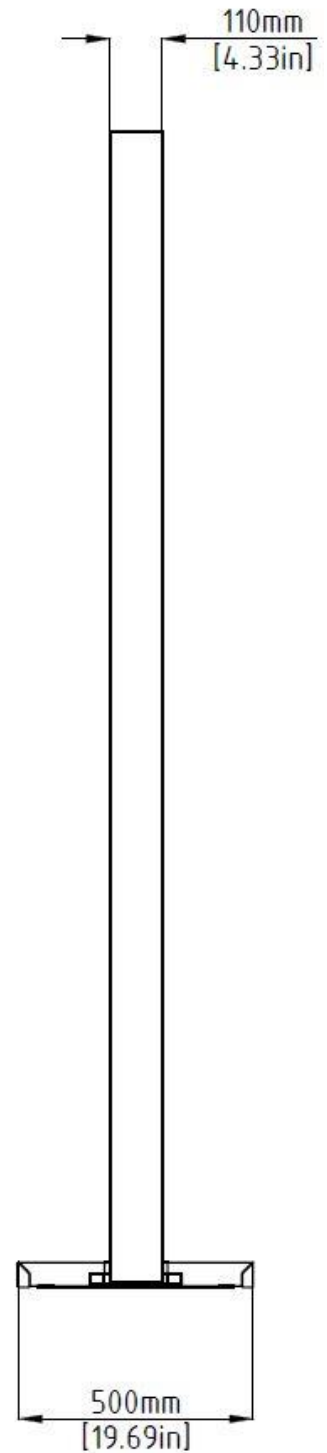
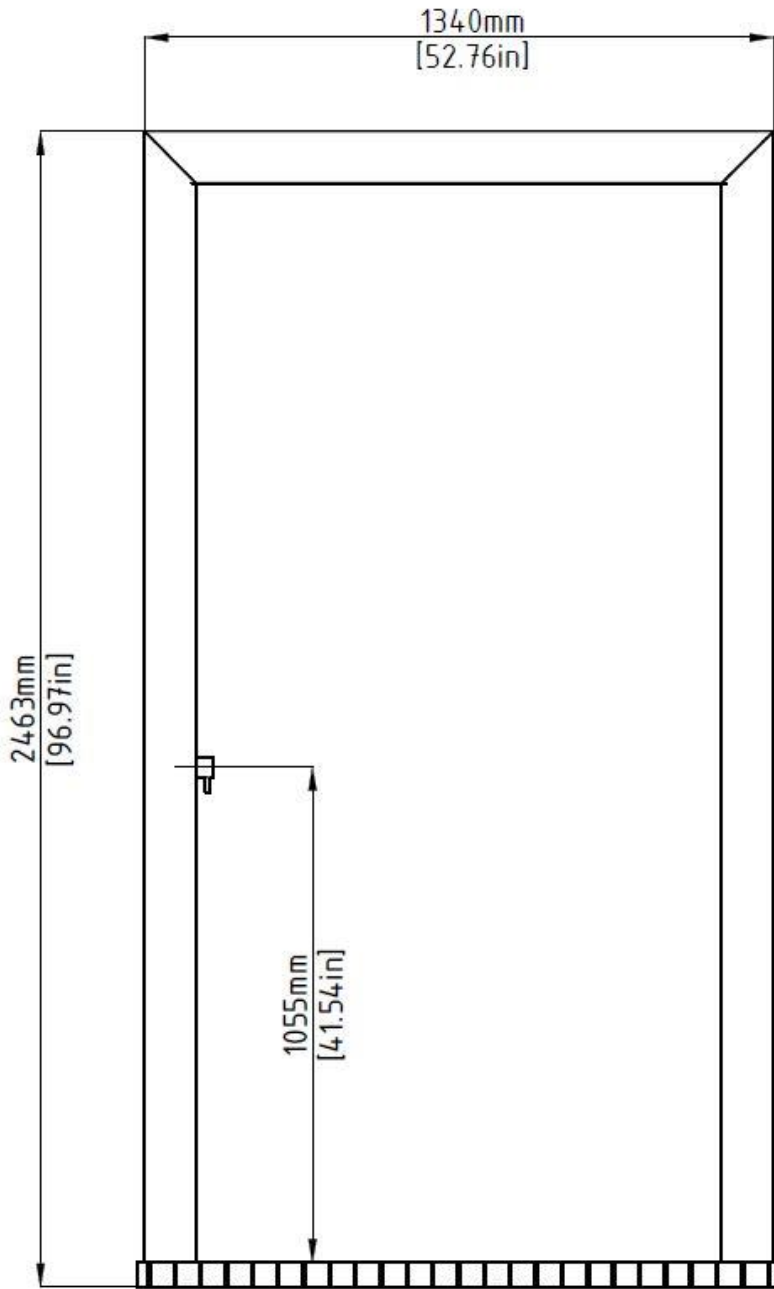
Stone



205kg / 452lbs

PRODUCT DIMENSIONS AND WEIGHT

Ceramic

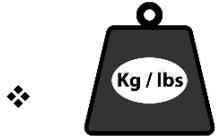


136kg/ 300lbs

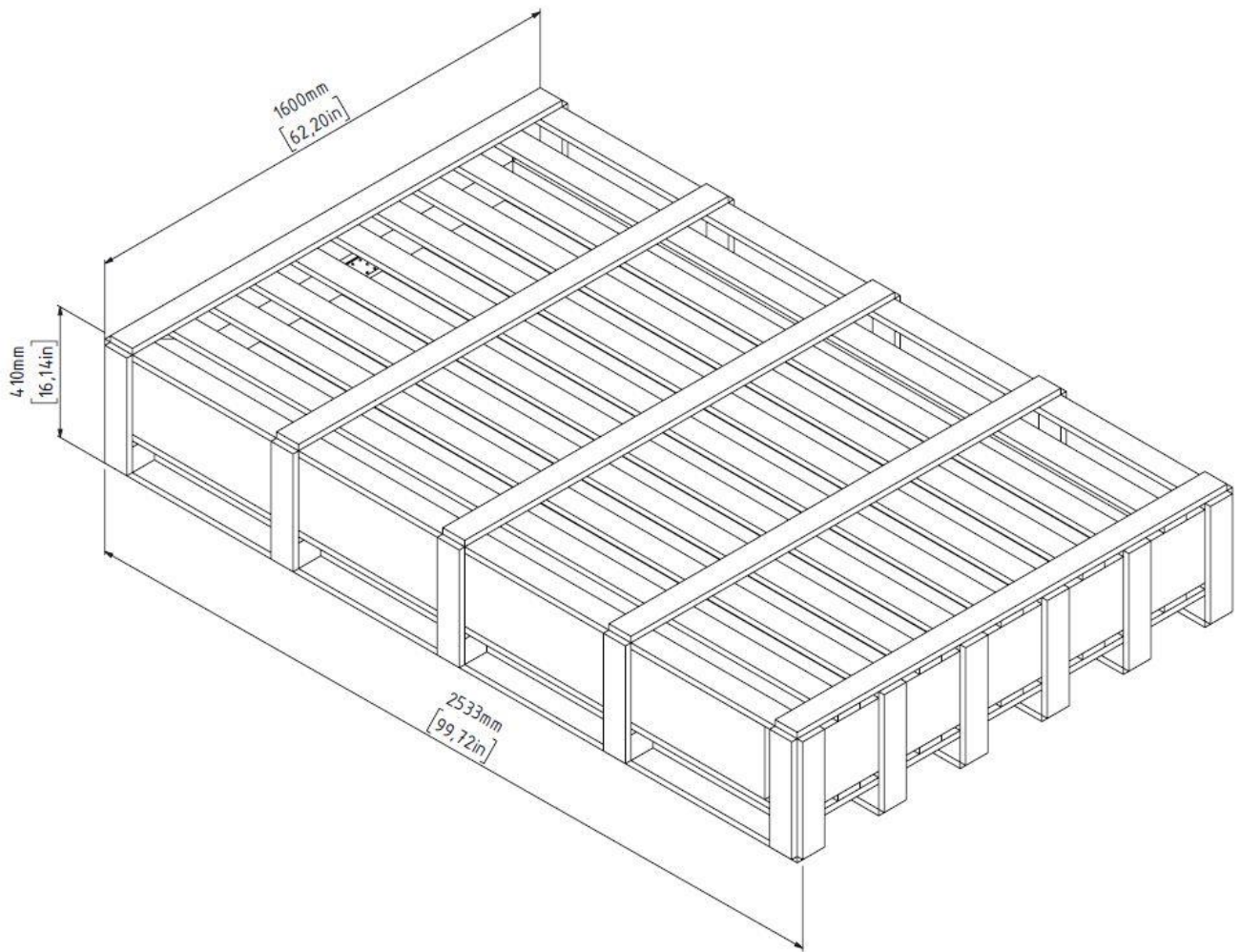
## PACKAGING INFORMATION

## Delivery Box Dimensions/Weight Stone

❖ 2533 x 1600 x 410 mm ~ 100 x 63 x 16 in (Length x Width x Height)



263kg / 580lbs



**Delivery Box Dimensions/Weight Ceramic**

❖ 2533 x 1600 x 410 mm ~ 100 x 63 x 16 in (Length x Width x Height)



193kg / 426lbs

