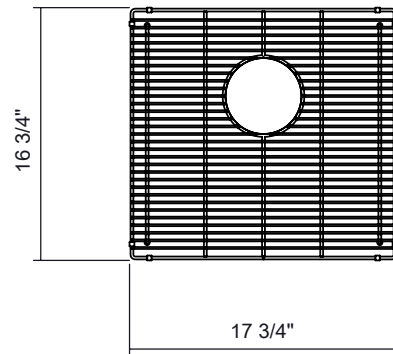
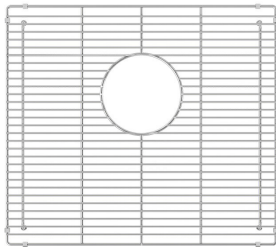


JULIEN

SM200964 | SMARTSTATION® ACCESSORY

GRID FOR SINK, 18" X 18"



Specifications

Model	SM200964
Collection	SmartStation®
Overall dimensions	17.5" x 16.5" x 1"

Features

- Fits SmartStation collection sinks.
- Ideal for rinsing or draining food, or for protecting the sink surface from scratches.
- All-round rod construction for easy cleaning with no residue buildup.
- Sealed plastic feet for enhanced stability and sink protection.
- Plastic corner bumpers to prevent scratching the sides of bowls.
- Corrosion-resistant 304 stainless steel (18/10) with an electro-polished finish.

Warranty

JULIEN offers a 1-YEAR LIMITED WARRANTY following the purchase date for all mobile parts, options and accessories against defects of material and workmanship. This warranty is limited to defects or damages resulting from a normal residential use. For further details on our product warranty, please refer to our catalog or web site.