

ID Infinity Drain



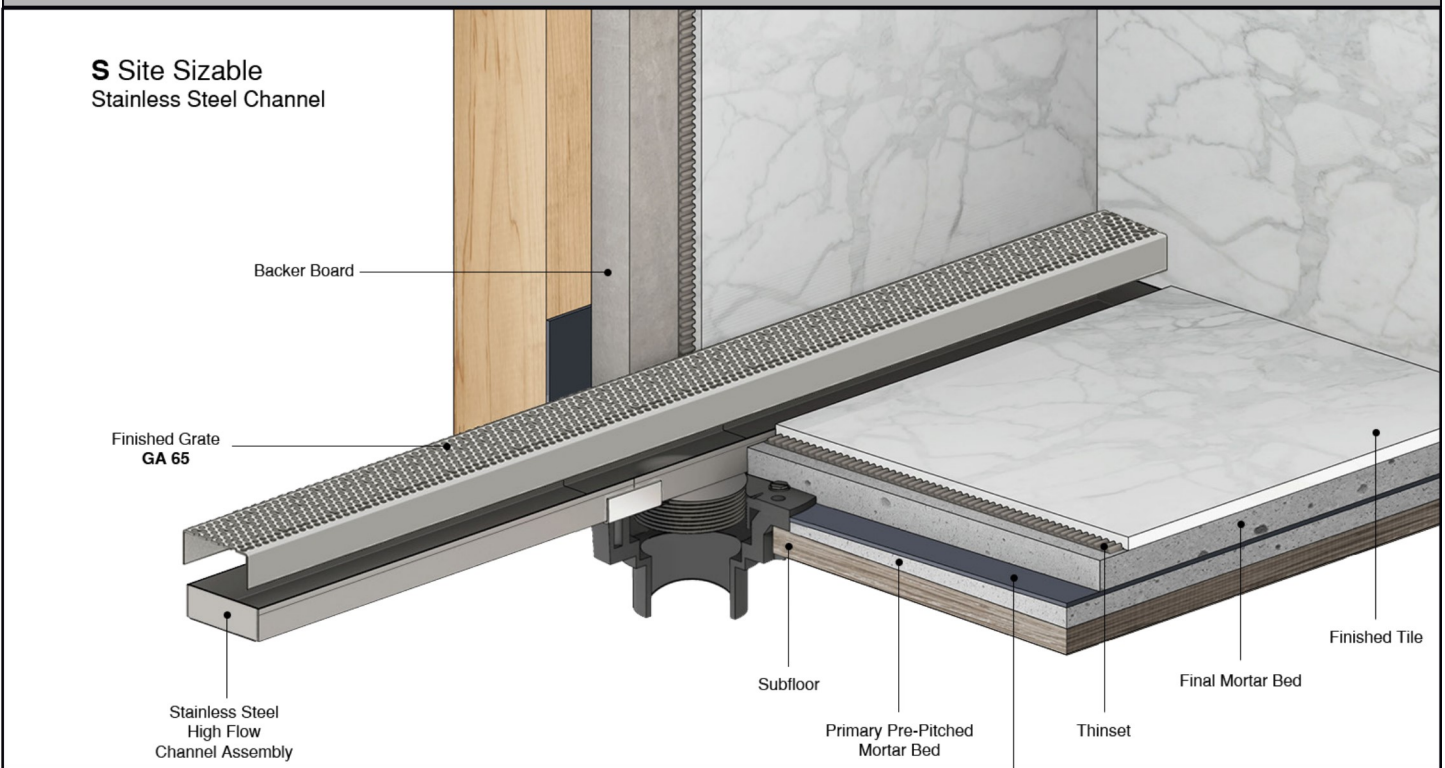
S-GRAS 99 Stainless Steel Site Sizable Series

- S-GRAS 9936 - 36" Complete Kit
- S-GRAS 9948 - 48" Complete Kit
- S-GRAS 9960 - 60" Complete Kit
- S-GRAS 9972 - 72" Complete Kit
- S-GRAS 9996 - 96" Complete Kit

Features

- Modify length and outlet location on site
- Indoor or outdoor use
- Stainless Steel Channel
- 16 gauge, 304L stainless steel grate
- Works with 3" clamp down floor with 4" throat/strainer size *(not included)*
- Compatible with: PVC Liner, Rubber Liner (Chloraloy®), Hot Mop, Lead Pan, Copper Pan, or Fiberglass
- Flow rate - 21 gpm per outlet
 - Flow rate measured at outlet only. Measurement does not account for water in channel or sheeting on shower floor.
 - Additional outlets can be added and combined into a larger waste line to increase flow rates

Installation



Care & Maintenance

S-GRAS 99 stainless steel linear drain top grates are made of 304L stainless steel. This material is non-porous, hygienic, rust-free and extremely durable. Bar Keepers Friend® and Soft Scrub® are commonly available products that can be used to protect and clean your Satin Stainless drain cover. For stains that have been left for an excessive amount of time, stronger cleaning agents such as Steel Brite Cleaner may be needed. For all finishes we recommend using mild soap and a soft cloth for cleaning. DO NOT use any abrasive cleaners, scrub pads or allow household cleaning agents, such as bleach, to sit on the drain cover for a long period of time. Stainless steel does not rust. External factors, such as contamination from other highly ferrous metals, built up road salt, sea salt, or chlorine may have caused "surface" rust which can be removed using Barkeepers Friend®, Soft Scrub®, or Steel Brite Cleaner. Always follow the directions on the bottle. Follow proper maintenance procedures to prevent excessive surface rust. In areas of frequent exposure to salt, chlorine, and other chemical compounds, maintenance of the stainless grates should be performed at least 2-3 times per year.

Infinity Drain
145 Dixon Avenue
Amityville, NY 11701
Phone: 516.767.6786
Fax: 516.740.3066
www.Infinitydrain.com



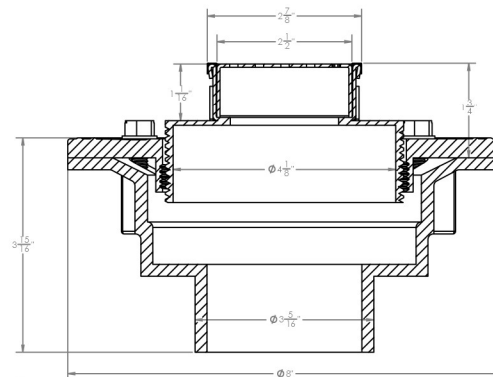
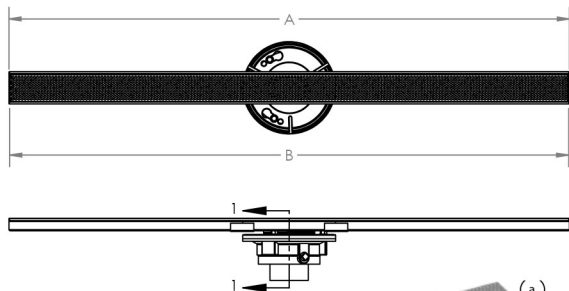
NOTE: Installer must verify all rough-in dimensions prior to installation and consult local and national codes. Conformity and compliance to local and national codes are the responsibility of the installer.

ID Infinity Drain

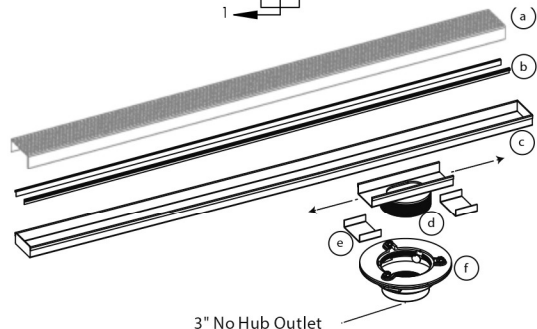
S-GRAS 9936

S-GRAS 9948

S-GRAS 9960



SECTION 1-1



- Ⓐ GA 65 - Stainless Steel Grate
- Ⓑ CT - Channel Trim
- Ⓒ LC 65 - Stainless Steel Channel (ships as one piece)
- Ⓓ LF 99 - Stainless Steel Outlet Section (High Flow)
- Ⓔ GJS 65 - Stainless Steel Joiner Strip

- ① CDI 43W/ CDP 43W/ CDA 43W
4 inch throat, 3 inch No Hub Outlet
Clamp Down Drain Assembly

INCLUDED IN KIT SKU

(Material can be Cast Iron, ABS, or PVC)*

S-LTIFAS 99 Series is designed to connect to a 3" waste line.

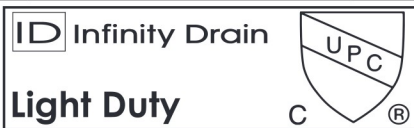
3" No Hub Outlet

Model Number	Complete Kit Contents	A Maximum Overall Length	B Maximum Grate Length	C (Minimum Height Above Waterproofing) * All heights can be adjusted upwards an additional 1-1/4"
<input type="checkbox"/> S-GRAS 9936-I <input type="checkbox"/> S-GRAS 9936-A <input type="checkbox"/> S-GRAS 9936-P	1 - GA 6536 Stainless Steel Grate 1 - LC 6528 Stainless Steel Channel 1 - LF 99 8" Stainless Steel Outlet Section 2 - GJS 65 Stainless Steel Joiner Strips 1 - ZSIKA M-1 Sealant 2 - CT 36 Channel Trims 1 - HMK-D: 1 - DKEY Lift Out Key 1 - 4" Throat, 3" No Hub Outlet, Drain Body (CDI 43 W/CDA 43 W/CDP 43 W)	36"	35 7/8"	With CDI 43 W: 1 13/16" With CDA 43 W: 1 13/16" With CDP 43 W: 1 13/16"
<input type="checkbox"/> S-GRAS 9948-I <input type="checkbox"/> S-GRAS 9948-A <input type="checkbox"/> S-GRAS 9948-P	1 - GA 6548 Stainless Steel Grate 1 - LC 6540 Stainless Steel Channel 1 - LF 99 8" Stainless Steel Outlet Section 2 - GJS 65 Stainless Steel Joiner Strips 1 - ZSIKA M-1 Sealant 2 - CT 48 Channel Trims 1 - HMK-D: 1 - DKEY Lift Out Key 1 - 4" Throat, 3" No Hub Outlet, Drain Body (CDI 43 W/CDA 43 W/CDP 43 W)	48"	47 7/8"	With CDI 43 W: 1 13/16" With CDA 43 W: 1 13/16" With CDP 43 W: 1 13/16"
<input type="checkbox"/> S-GRAS 9960-I <input type="checkbox"/> S-GRAS 9960-A <input type="checkbox"/> S-GRAS 9960-P	1 - GA 6560 Stainless Steel Grate 1 - LC 6552 Stainless Steel Channel 1 - LF 99 8" Stainless Steel Outlet Section 2 - GJS 65 Stainless Steel Joiner Strips 1 - ZSIKA M-1 Sealant 2 - CT 36 Channel Trims 1 - HMK-D: 1 - DKEY Lift Out Key 1 - 4" Throat, 3" No Hub Outlet, Drain Body (CDI 43 W/CDA 43 W/CDP 43 W)	60"	59 7/8"	With CDI 43 W: 1 13/16" With CDA 43 W: 1 13/16" With CDP 43 W: 1 13/16"

Finishes

- Satin Stainless (SS)
- Polished Stainless (PS)
- Oil Rubbed Bronze (ORB)
- Satin Bronze (SB)
- Matte Black (BK)
- Satin Champagne (SC)
- Polished Gold (PG)
- Polished Brass (PB)
- Gunmetal (GM)
- Matte White (MW)

Infinity Drain
 145 Dixon Avenue
 Amityville, NY 11701
 Phone: 516.767.6786
 Fax: 516.740.3066
 www.Infinitydrain.com

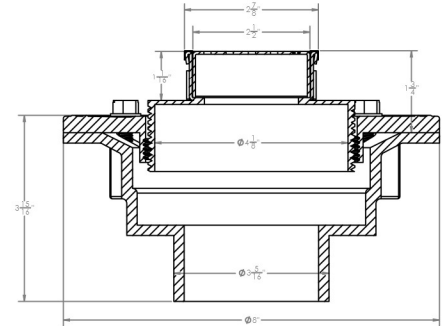
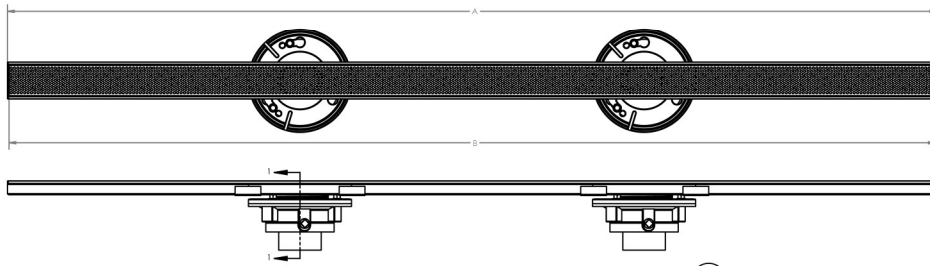


NOTE: Installer must verify all rough-in dimensions prior to installation and consult local and national codes. Conformity and compliance to local and national codes are the responsibility of the installer.

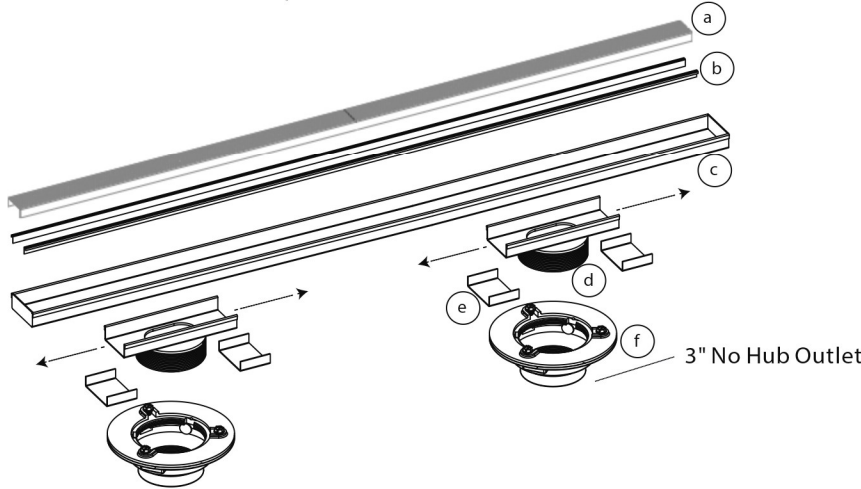
ID Infinity Drain

S-GRAS 9972

S-GRAS 9996



SECTION 1-1



- Ⓐ GA 65 - Stainless Steel Grate
- Ⓑ CT - Channel Trim
- Ⓒ LC 65 - Stainless Steel Channel (ships as one piece)
- Ⓓ LF 99 - Stainless Steel Outlet Section (High Flow)
- Ⓔ GJS 65 - Stainless Steel Joiner Strip

- Ⓕ CDI 43W/ CDP 43W/ CDA 43W
4 inch throat, 3 inch No Hub Outlet
Clamp Down Drain Assembly

INCLUDED IN KIT SKU

(Material can be Cast Iron, ABS, or PVC)*

S-LTIFAS 99 Series is designed to connect to a 3" waste line.

Model Number	Complete Kit Contents	A Maximum Overall Length	B Maximum Grate Length	C (Minimum Height Above Waterproofing) * All heights can be adjusted upwards an additional 1-1/4"
S-GRAS 9972-I S-GRAS 9972-A S-GRAS 9972-P	1 - GA 6536 Stainless Steel Grate 1 - LC 6564 Stainless Steel Channel 2 - LF 99 8" Stainless Steel Outlet Sections 4 - GJS 65 Stainless Steel Joiner Strips 1 - ZSIKA M-1 Sealant 2 - CT 72 Channel Trims 1 - HMK-D: 1 - DKEY Lift Out Key 2 - 4" Throat, 3" No Hub Outlet, Drain Body (CDI 43 W/CDA 43 W/CDP 43 W)	72"	71 7/8"	With CDI 43 W: 1 13/16" With CDA 43 W: 1 13/16" With CDP 43 W: 1 13/16"
S-GRAS 9996-I S-GRAS 9996-A S-GRAS 9996-P	1 - GA 6536 Stainless Steel Grate 1 - LC 6564 Stainless Steel Channel 2 - LF 99 8" Stainless Steel Outlet Sections 4 - GJS 65 Stainless Steel Joiner Strips 1 - ZSIKA M-1 Sealant 2 - CT 96 Channel Trims 1 - HMK-D: 1 - DKEY Lift Out Key 2 - 4" Throat, 3" No Hub Outlet, Drain Body (CDI 43 W/CDA 43 W/CDP 43 W)	96"	95 7/8"	With CDI 43 W: 1 13/16" With CDA 43 W: 1 13/16" With CDP 43 W: 1 13/16"

Finishes

- Satin Stainless (SS)
- Polished Stainless (PS)
- Oil Rubbed Bronze (ORB)
- Satin Bronze (SB)
- Matte Black (BK)
- Satin Champagne (SC)
- Polished Gold (PG)
- Polished Brass (PB)
- Gunmetal (GM)
- Matte White (MW)

Infinity Drain
 145 Dixon Avenue
 Amityville, NY 11701
 Phone: 516.767.6786
 Fax: 516.740.3066
 www.Infinitydrain.com



NOTE: Installer must verify all rough-in dimensions prior to installation and consult local and national codes. Conformity and compliance to local and national codes are the responsibility of the installer.