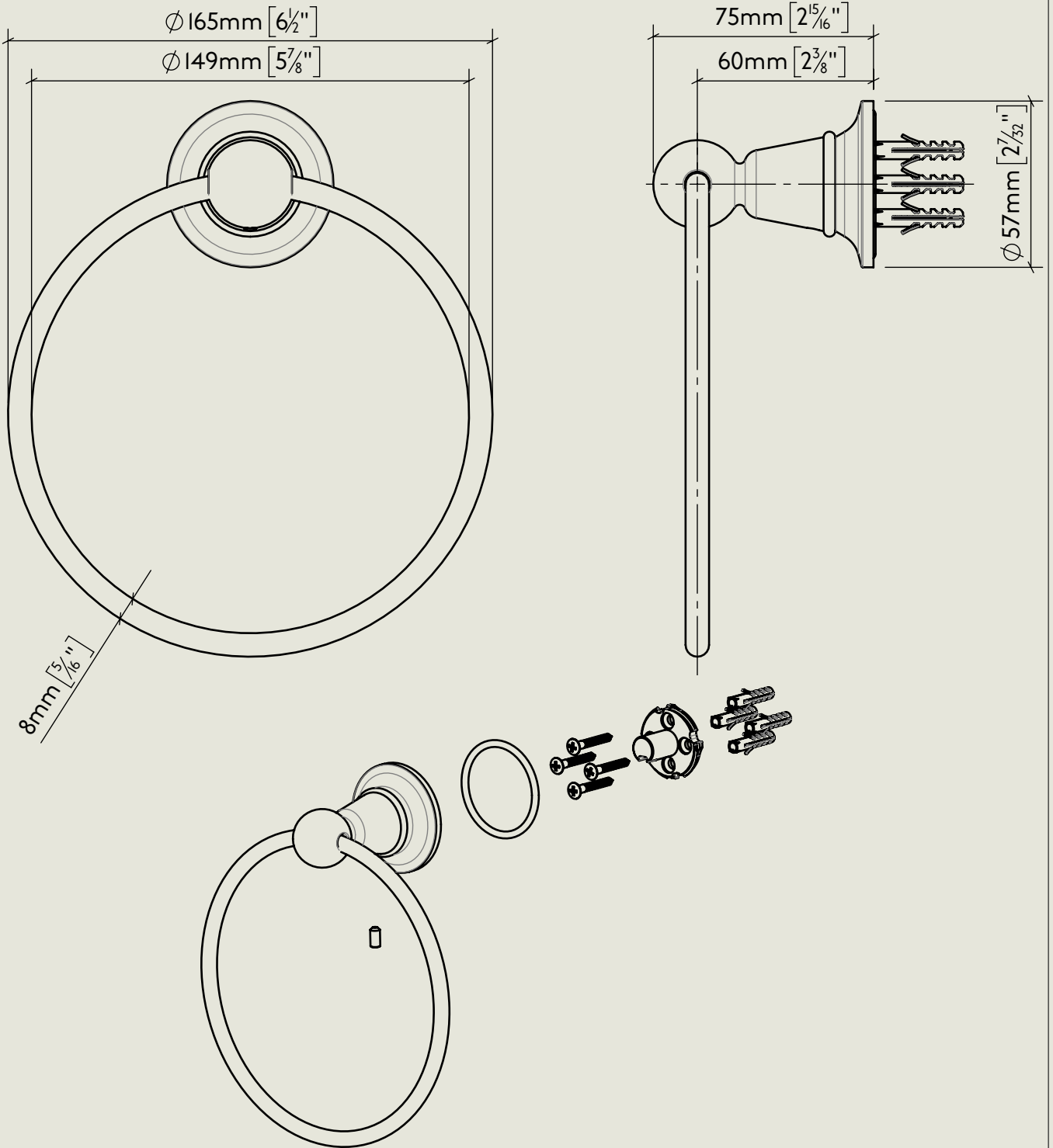




BY APPOINTMENT TO  
HIS MAJESTY KING CHARLES III  
MANUFACTURE OF KITCHEN & BATHROOM TAPS & MIXERS  
BARBER WILSONS & CO. LTD  
LONDON

LONDON BARBER WILSONS & CO EST. 1905



Model No.

R811

Description

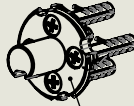
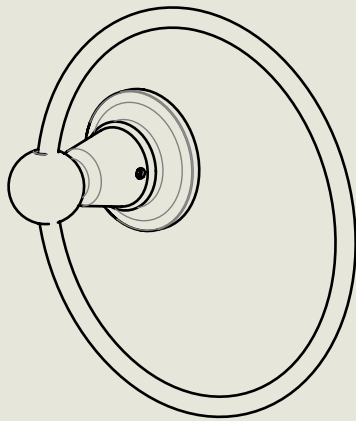
Regent Accessory Towel Ring

Complete

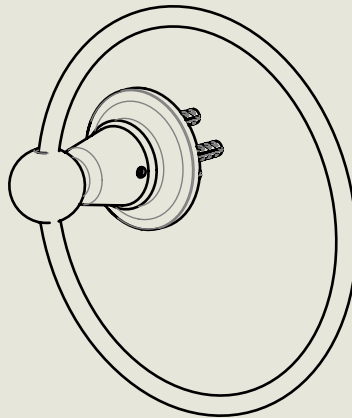


BY APPOINTMENT TO  
HIS MAJESTY KING CHARLES III  
MANUFACTURE OF KITCHEN & BATHROOM TAPS & MIXERS  
BARBER WILSONS & CO. LTD  
LONDON

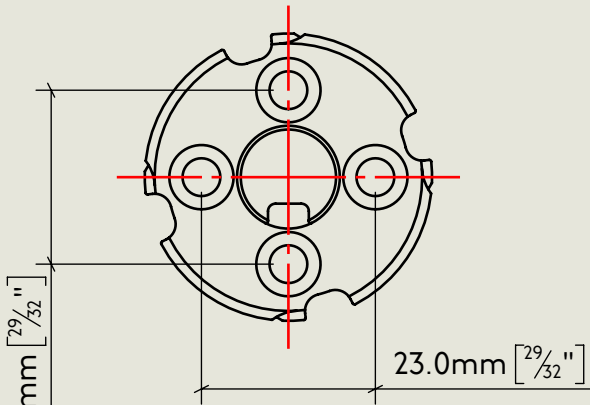
LONDON **BARBER WILSONS & CO** EST. 1905



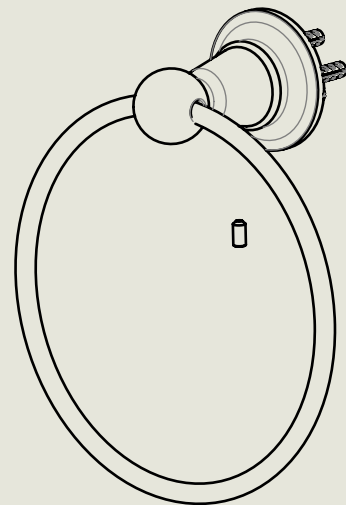
Where Possible Use  
4 x Screws per Wall Plate



CRUCIAL TO USE LASERLINE  
FOR HORIZONTAL HOLE ALIGNMENT  
DURING INSTALLATION  
FOR PERFECT PRODUCT ORIENTATION



BRACKET ORIENTATION FIXING  
SCALE 1 : 1



Model No.	Description	
R8II	Accessory Wall Bracket	Fitting