

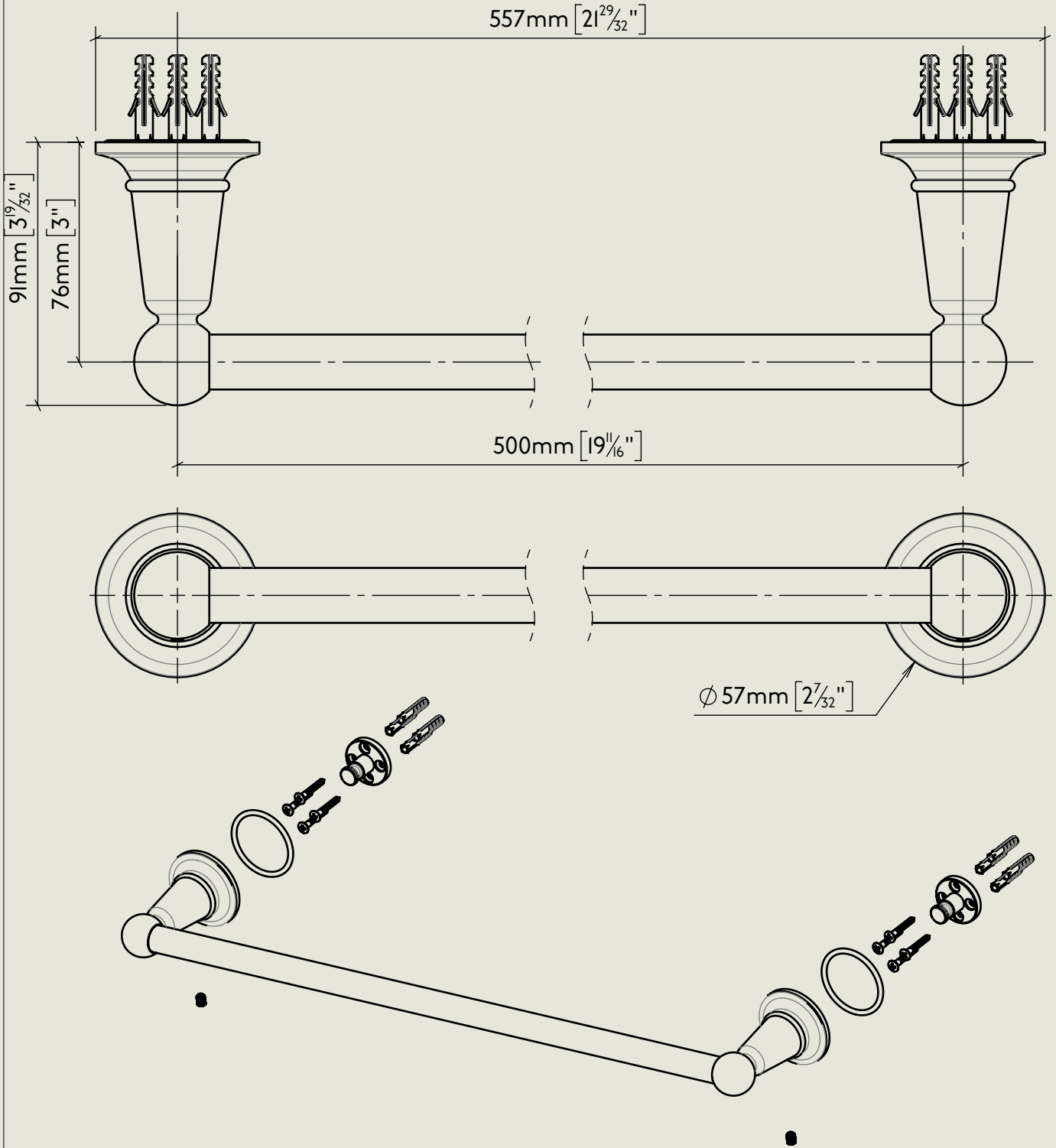


BY APPOINTMENT TO
HIS MAJESTY KING CHARLES III
MANUFACTURE OF KITCHEN & BATHROOM TAPS & MIXERS
BARBER WILSONS & CO. LTD
LONDON

LONDON

BARBER WILSONS & CO

EST. 1905

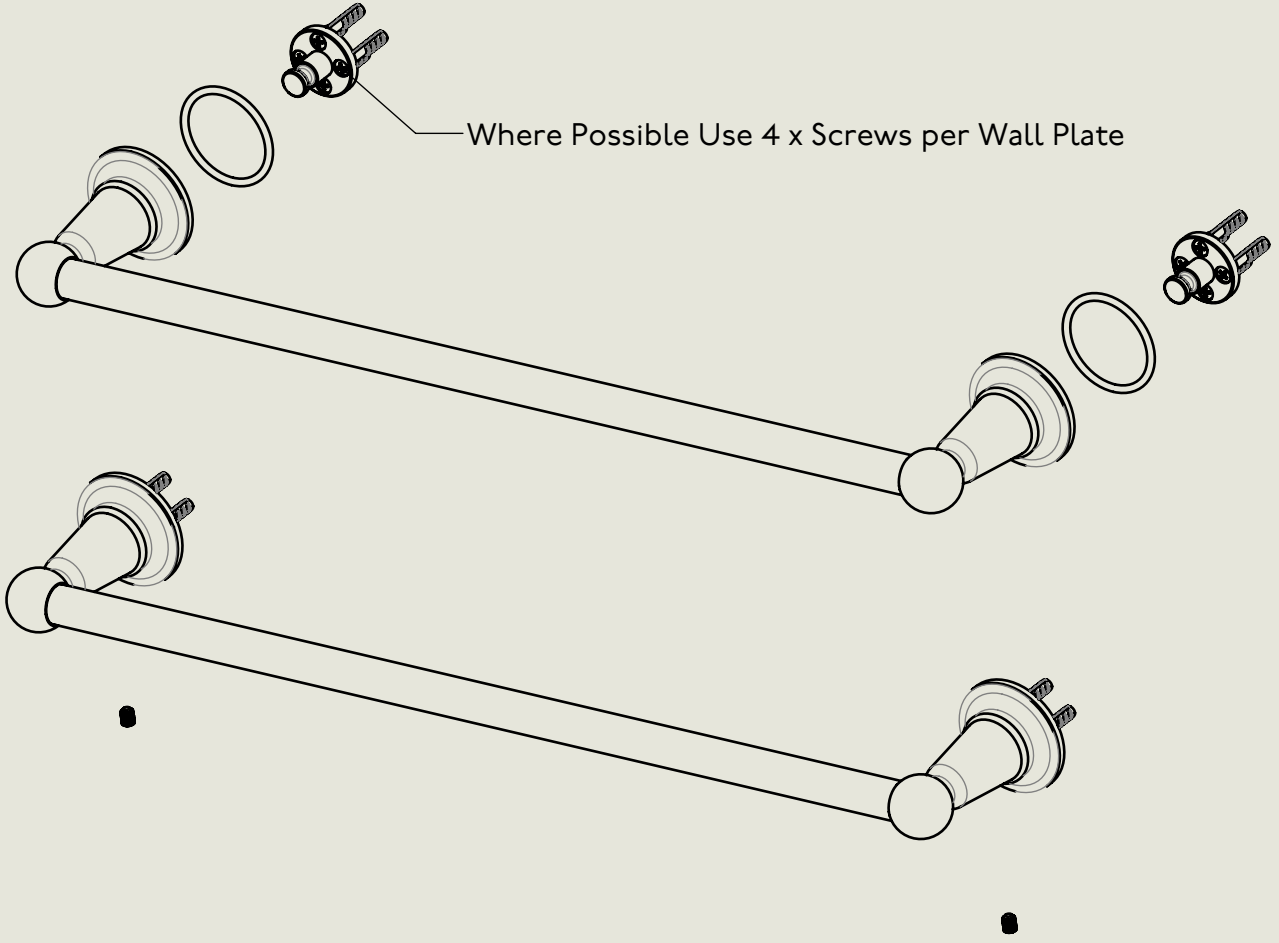


Model No.	Description	
R810	Regent Accessory Towel Rail	Complete



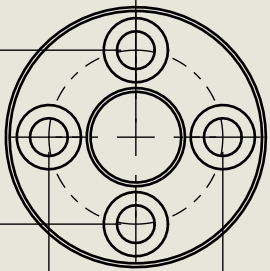
BY APPOINTMENT TO
HIS MAJESTY KING CHARLES III
MANUFACTURE OF KITCHEN & BATHROOM TAPS & MIXERS
BARBER WILSONS & CO. LTD
LONDON

LONDON **BARBER WILSONS & CO** EST. 1905

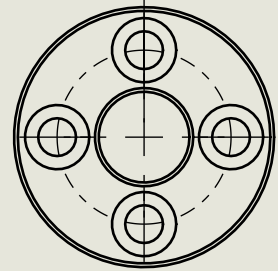


23.0mm [²⁹/₃₂"

500.0mm



CRUCIAL TO USE LASERLINE
FOR VERTICAL HOLE ALIGNMENT
DURING INSTALLATION
FOR PERFECT PRODUCT ORIENTATION



BRACKET ORIENTATION FIXING
SCALE 1 : 1

23.0mm [²⁹/₃₂"

Model No.	Description	Fitting
R810	Regent Accessory Towel Rail	Fitting