

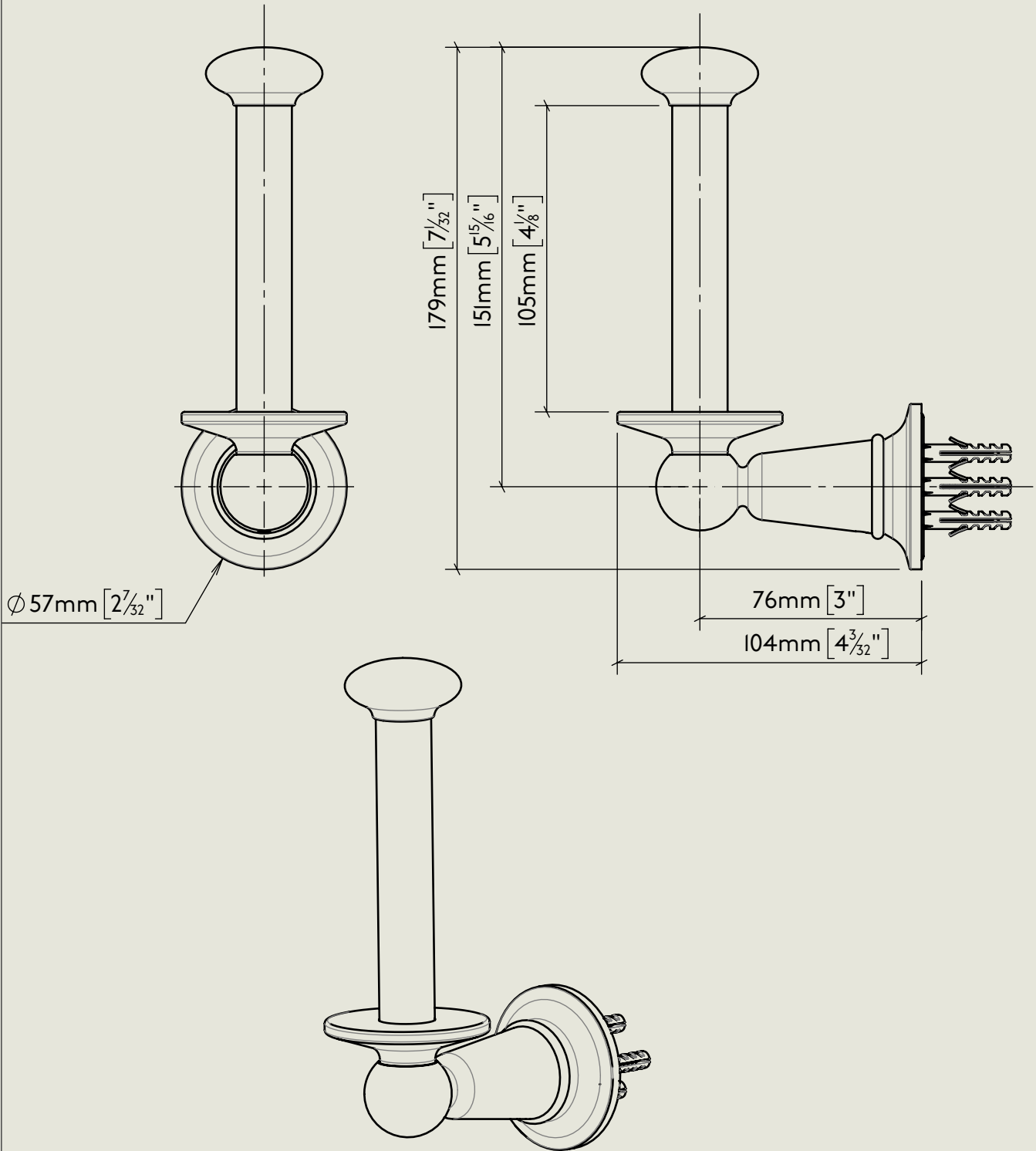


BY APPOINTMENT TO
HIS MAJESTY KING CHARLES III
MANUFACTURE OF KITCHEN & BATHROOM TAPS & MIXERS
BARBER WILSONS & CO. LTD
LONDON

LONDON

BARBER WILSONS & CO

EST. 1905

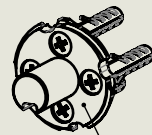
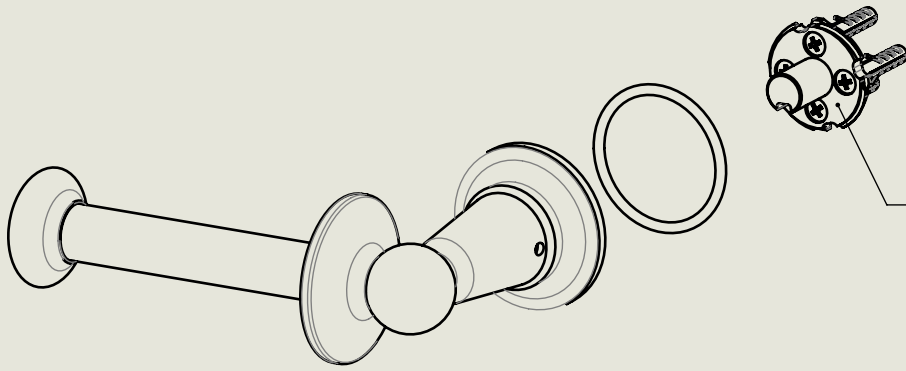


Model No.	Description	
R801	Regent Accessory Reserve Toilet Roll Holder	Complete

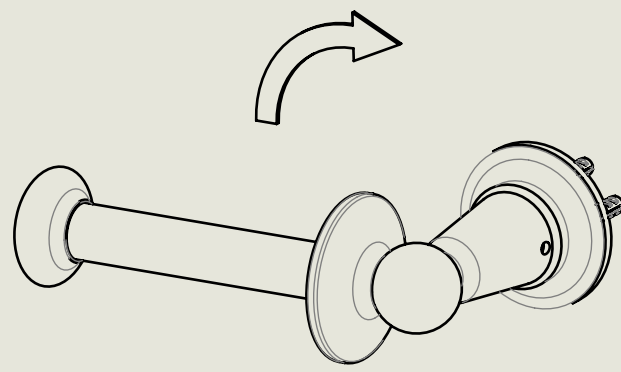


BY APPOINTMENT TO
HIS MAJESTY KING CHARLES III
MANUFACTURE OF KITCHEN & BATHROOM TAPS & MIXERS
BARBER WILSONS & CO. LTD
LONDON

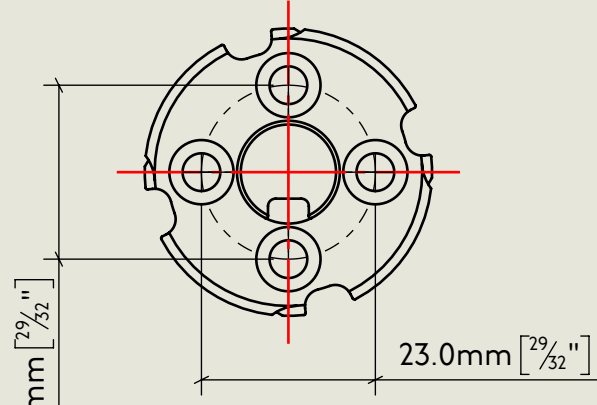
LONDON **BARBER WILSONS & CO** EST. 1905



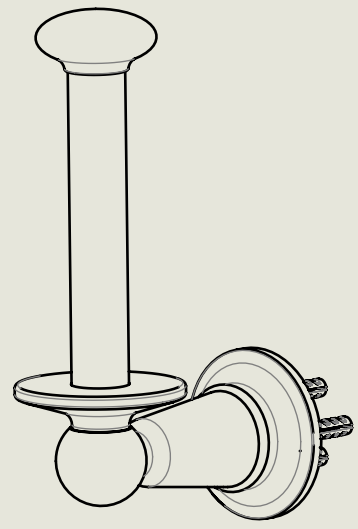
Where Possible Use
4 x Screws per Wall Plate



CRUCIAL TO USE LASERLINE
FOR HORIZONTAL HOLE ALIGNMENT
DURING INSTALLATION
FOR PERFECT PRODUCT ORIENTATION



BRACKET ORIENTATION FIXING
SCALE 1 : 1



Model No.	Description	
R801	Regent Accessory Reserve Toilet Roll Holder	Fitting