

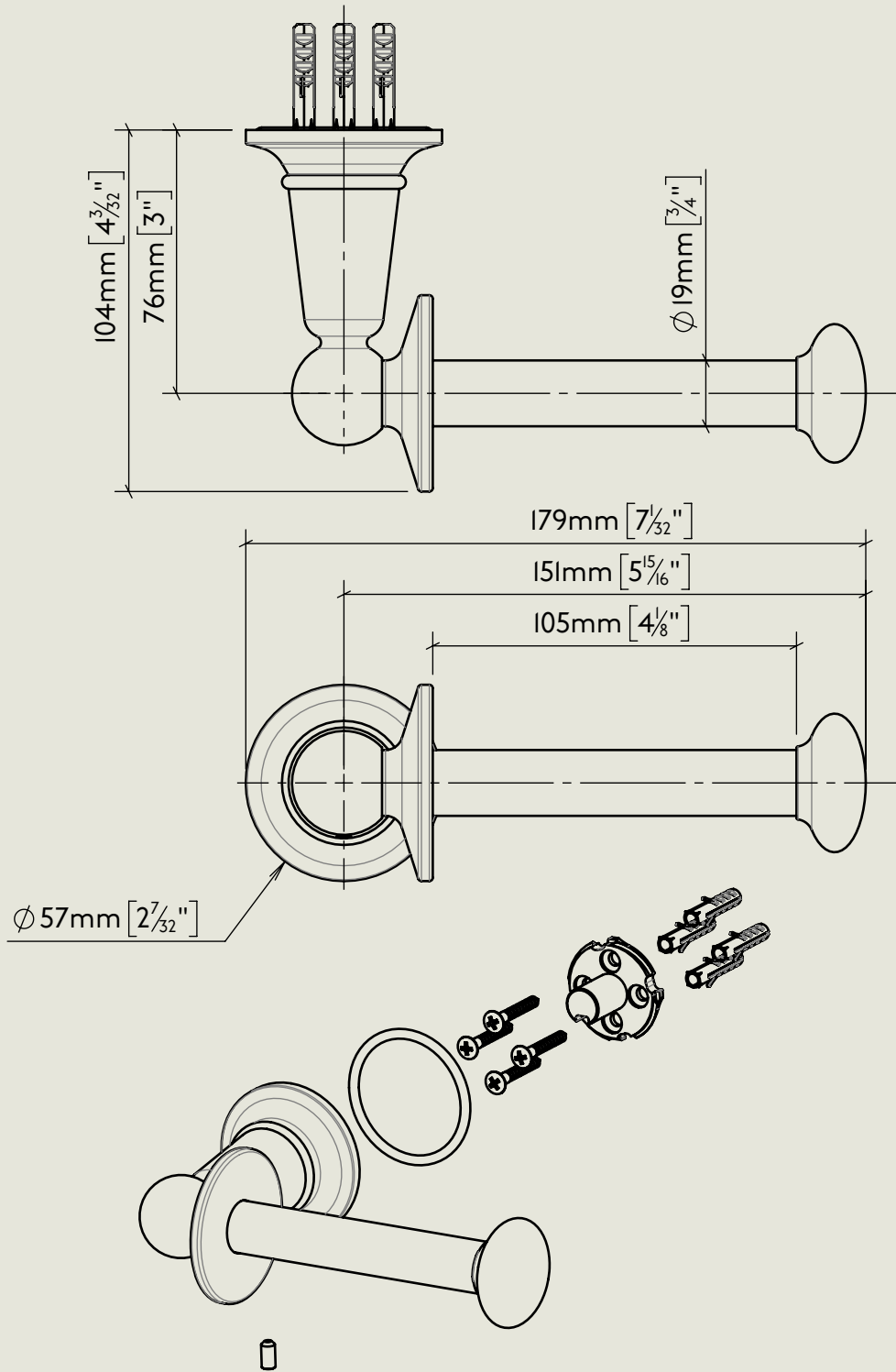


BY APPOINTMENT TO
HIS MAJESTY KING CHARLES III
MANUFACTURE OF KITCHEN & BATHROOM TAPS & MIXERS
BARBER WILSONS & CO. LTD
LONDON

LONDON

BARBER WILSONS & CO

EST. 1905



Model No.

R800

Description

Regent Accessory Toilet Roll Holder

Complete



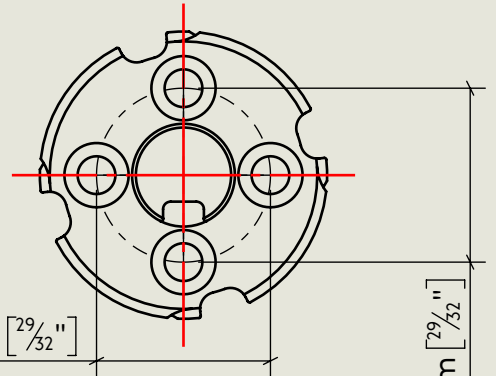
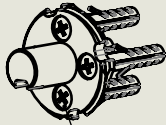
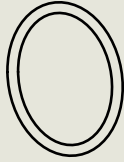
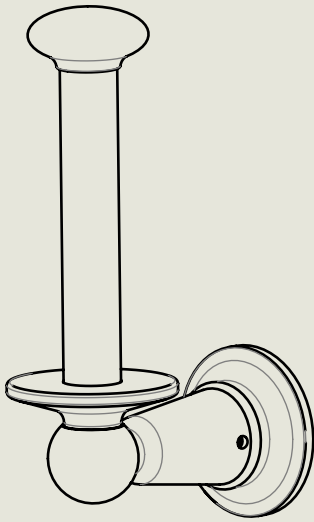
BY APPOINTMENT TO
HIS MAJESTY KING CHARLES III
MANUFACTURE OF KITCHEN & BATHROOM TAPS & MIXERS
BARBER WILSONS & CO. LTD
LONDON

LONDON

BARBER WILSONS & CO

EST. 1905

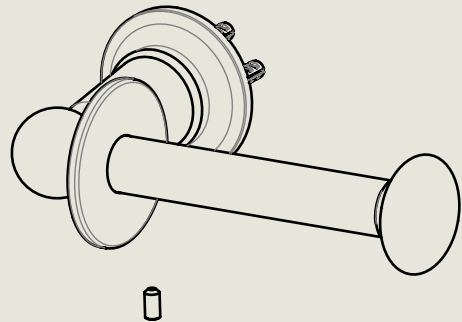
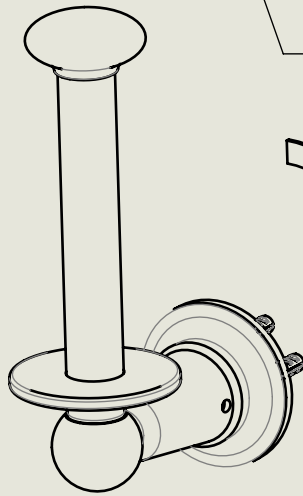
CRUCIAL TO USE LASERLINE
FOR VERTICAL HOLE ALIGNMENT
DURING INSTALLATION
FOR PERFECT PRODUCT ORIENTATION



BRACKET ORIENTATION FIXING
SCALE 1 : 1

23.0mm [29/32\"/>

Where Possible Use 4 x Screws per Wall Plate



Model No.

R800

Description

Regent Accessory Toilet Roll Holder

Fitting