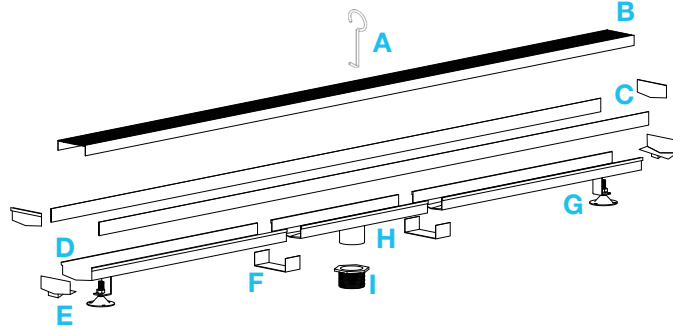


LAGOS LINEAR DRAIN ADJUSTABLE 3" OUTLET (HIGH FLOW)

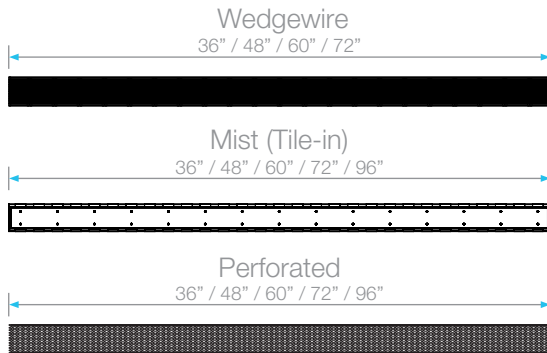
Kit Includes:

- A** Lifting Key
- B** Grate
- C** Trims
- D** PVC Base
- E** Base End Cap
- F** Joiners
- G** Leveling Legs
- H** 3" Outlet
- I** Threaded Nipple
 - + Stainless Steel Cutting Blade

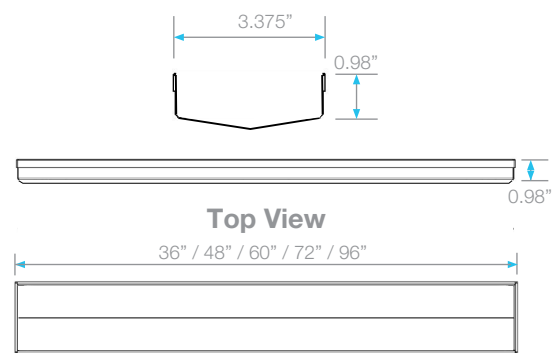


Specifications

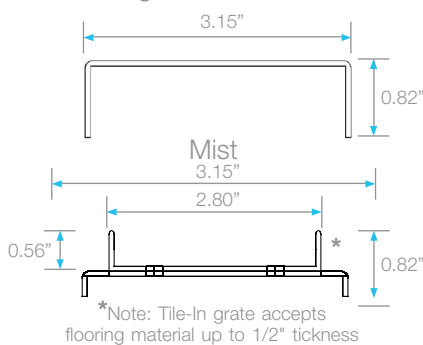
B Grate - Top View



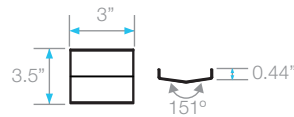
D Base - Side View



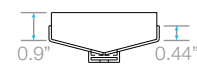
B Grate - Side View



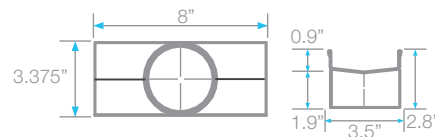
F Joiner - Side & Top View



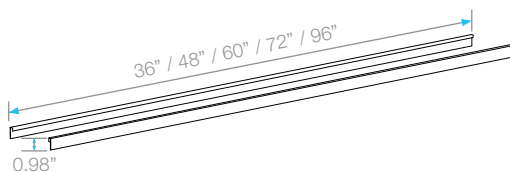
E Base End Cap - Side View



H 3" Outlet - Side & Top View



C Trims - Side View



Corner - Side & Top View



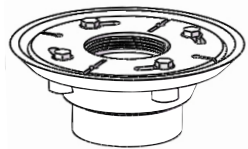
Features

- Stainless Steel 316 Gauges:
Wedgewire grate: 8 gauges = 5mm for edge bars and 9 gauges= 4mm for inside bars.
Perforated & Mist grate: 16 gauge = 1.5 mm.PVC Base = 3 mm.
- Works with 3”/4” drain flange or general purpose drain (not included).
- Grate can be removed completely for cleaning.
- Adjustable is intended for use with traditional waterproofing methods.

Adjustable Complete Kit

	Length	Satin SKU	Polished SKU	Black SKU
Wedgewire 	36”	88.610.36HF ST	88.610.36HF PS	88.610.36HF BK
	48”	88.610.48HF ST	88.610.48HF PS	88.610.48HF BK
	60”	88.610.60HF ST	88.610.60HF PS	88.610.60HF BK
	72”	88.610.72HF ST	88.610.72HF PS	88.610.72HF BK
	96”	88.610.96HF ST	88.610.96HF PS	88.610.96HF BK
Perforated 	36”	88.620.36HF ST	88.620.36HF PS	
	48”	88.620.48HF ST	88.620.48HF PS	
	60”	88.620.60HF ST	88.620.60HF PS	
	72”	88.620.72HF ST	88.620.72HF PS	
	96”	88.620.96HF ST	88.620.96HF PS	
Mist (Tile-in) 	36”	88.630.36HF ST	88.630.36HF PS	
	48”	88.630.48HF ST	88.630.48HF PS	
	60”	88.630.60HF ST	88.630.60HF PS	
	72”	88.630.72HF ST	88.630.72HF PS	
	96”	88.630.96HF ST	88.630.96HF PS	

Add to Kit (Specification Pages: 131-132)



Drain Flange
3” High Flow PVC

SKU
83.FLG.3.PVC

Note: 72” and “96” Kit includes two outlets, two hair strainers, two pair of joiners and two adapters. 72” Wedgewire Black Kit has two 36” . 96” Wedgewire Kit has two 48” grates. Choose the kit with equal or greater size than the length wanted; for longer lengths drain connect kits to build the desired length.
Installer must verify all rough-in dimensions prior to installation and consult local and national codes. Conformity and compliance to local and national codes are the responsibility of the installer. Dimensions are subject to Manufacturers tolerance and change without notice. We can assume no responsibility for use of superseded or voided data.