

# PS144CL

artos®

Classic Thermostatic Shower Trim Kit with Wall Mount Shower Head, Tub Filler

## OPERATING SPECIFICATIONS



### OPERATING PRESSURE

Minimum: 15 psi

Maximum: 125 psi

Above 90psi it may be necessary to install a pressure reducer

### OPERATING TEMPERATURE

Maximum: 176°

### FLOW CAPACITY

Shower Head: 1.8 USGPM



### STANDARDS

ASSE 1016-2011

ASME\_A112.1016-2011

CSA B125:16-11



# PS144CL

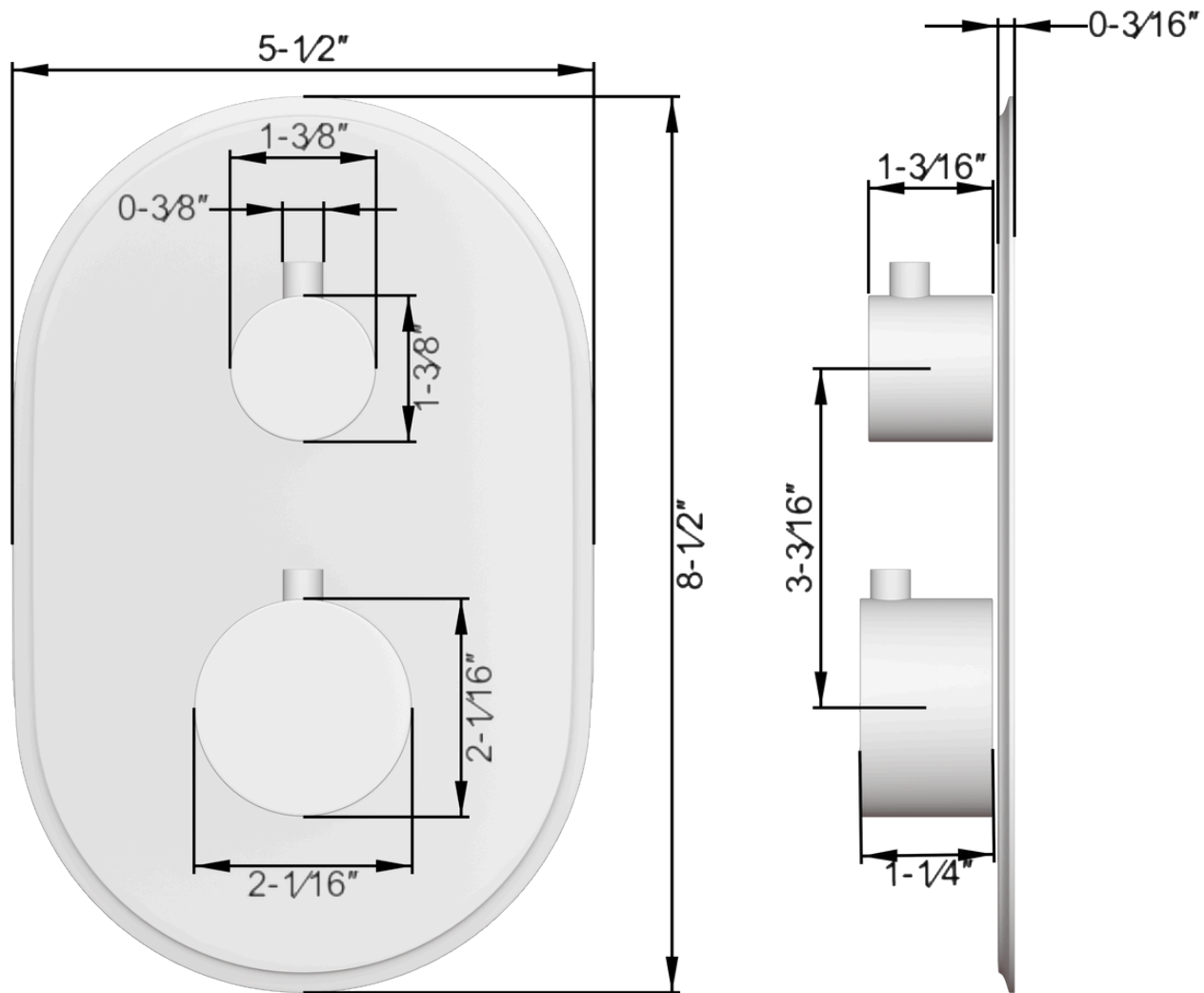
artos®

Classic Thermostatic Shower Trim Kit with Wall Mount Shower Head, Tub Filler

## PRODUCT DIMENSIONS

### PRODUCT SKU

F903B-62TK



# PS144CL

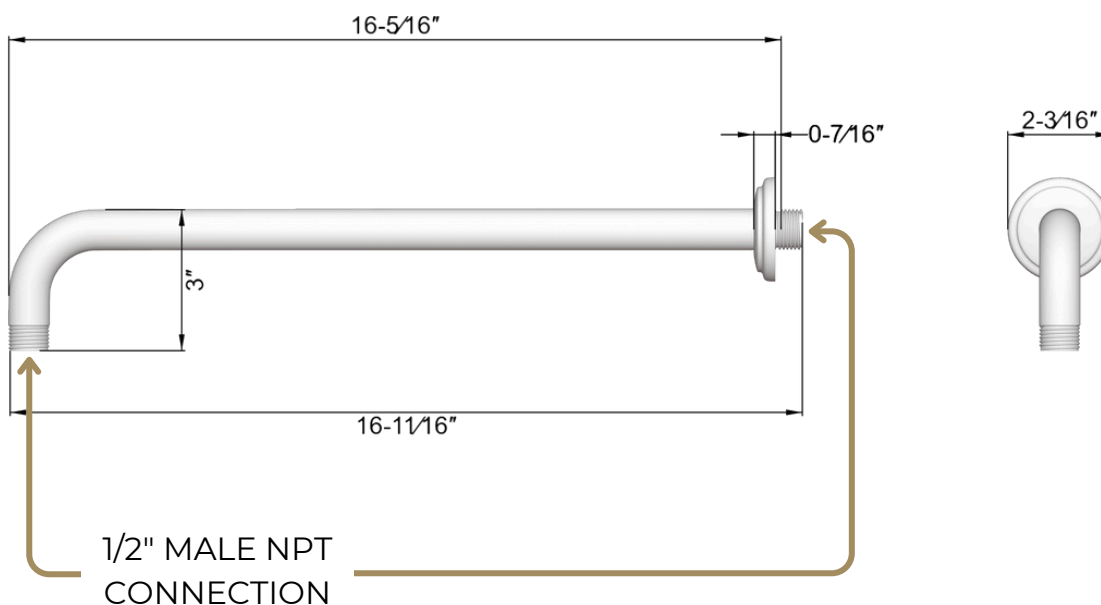
artos®

Classic Thermostatic Shower Trim Kit with Wall Mount Shower Head, Tub Filler

## PRODUCT DIMENSIONS

### PRODUCT SKU

F902-1CL



# PS144CL

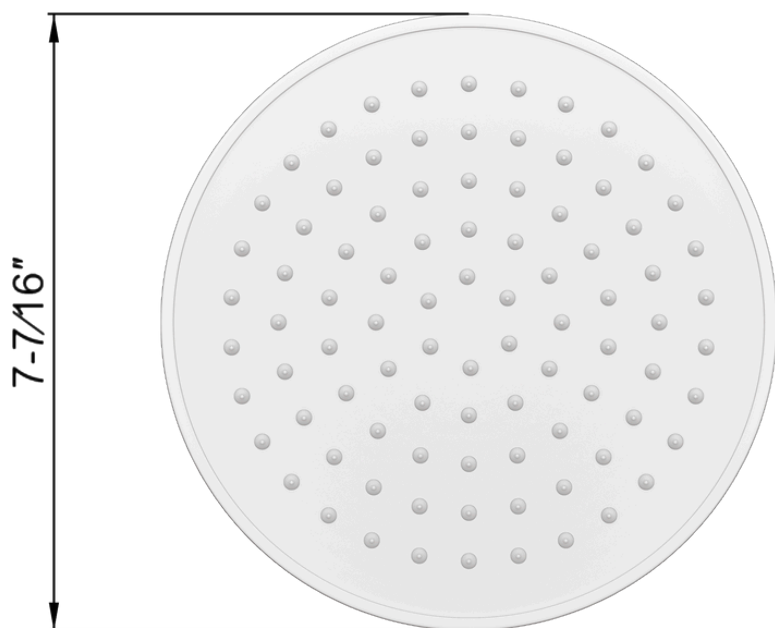
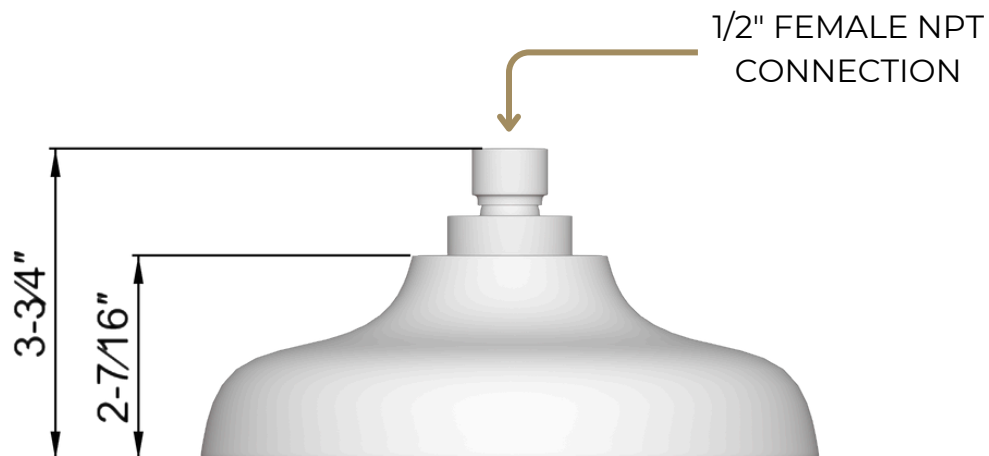
artos®

Classic Thermostatic Shower Trim Kit with Wall Mount Shower Head, Tub Filler

## PRODUCT DIMENSIONS

### PRODUCT SKU

F901-22



# PS144CL

artos®

Classic Thermostatic Shower Trim Kit with Wall Mount Shower Head, Tub Filler

## PRODUCT DIMENSIONS

---

### PRODUCT SKU

F908-7

