

PS127

artos®

Square Thermostatic Shower Trim Kit with Wall Mount Shower Head, Hand Held Shower, Body Jets

OPERATING SPECIFICATIONS



OPERATING PRESSURE

Minimum: 15 psi

Maximum: 125 psi

Above 90psi it may be necessary to install a pressure reducer

OPERATING TEMPERATURE

Maximum: 176°

FLOW CAPACITY

Shower Head: 1.8 USGPM

Handshower: 1.8 USGPM

STANDARDS

ASSE 1016-2011

ASME_A112.1016-2011

CSA B125:16-11



PS127

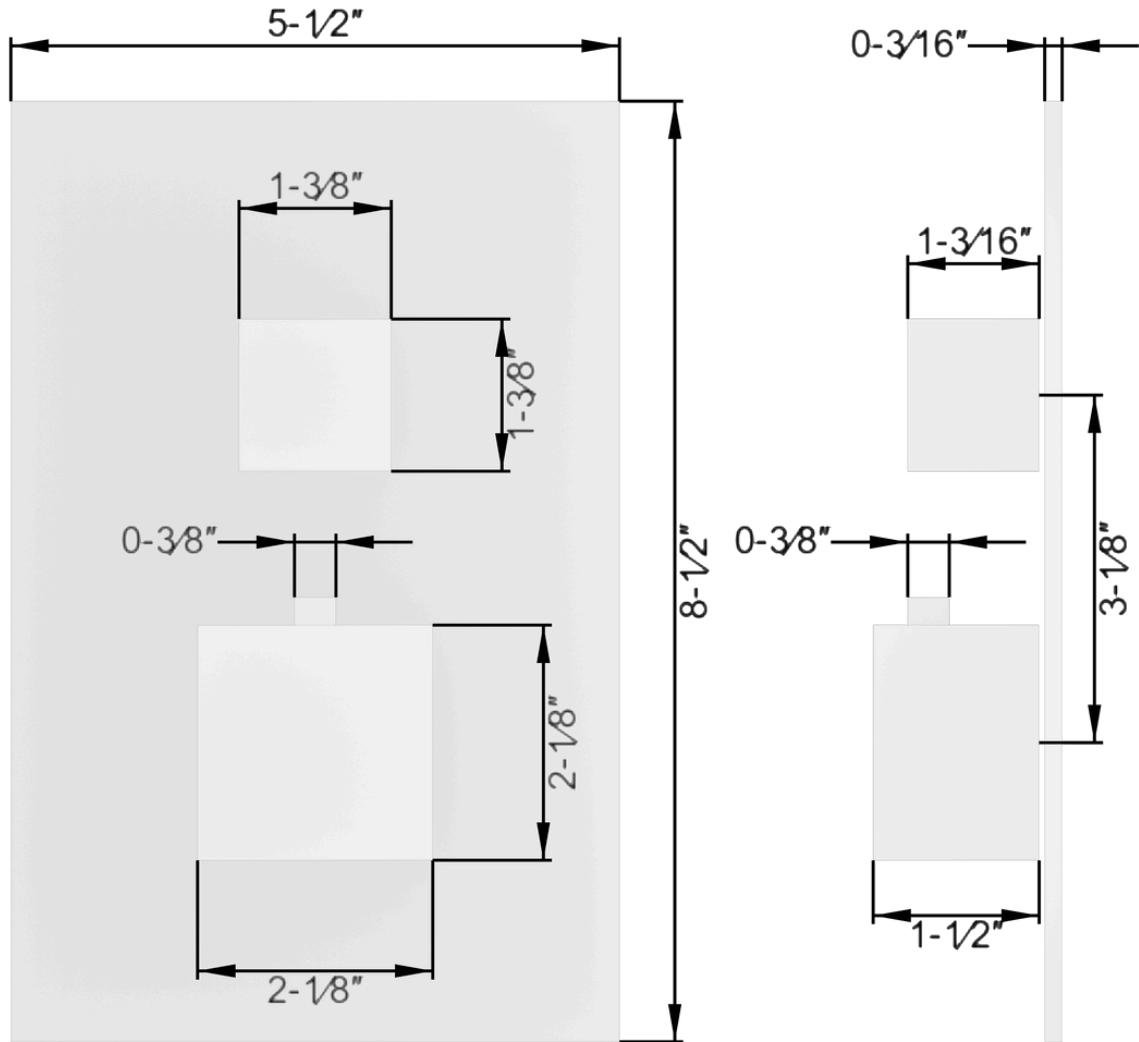
artos®

Square Thermostatic Shower Trim Kit with Wall Mount Shower Head, Hand Held Shower, Body Jets

PRODUCT DIMENSIONS

PRODUCT SKU

F903B-59TK



PS127

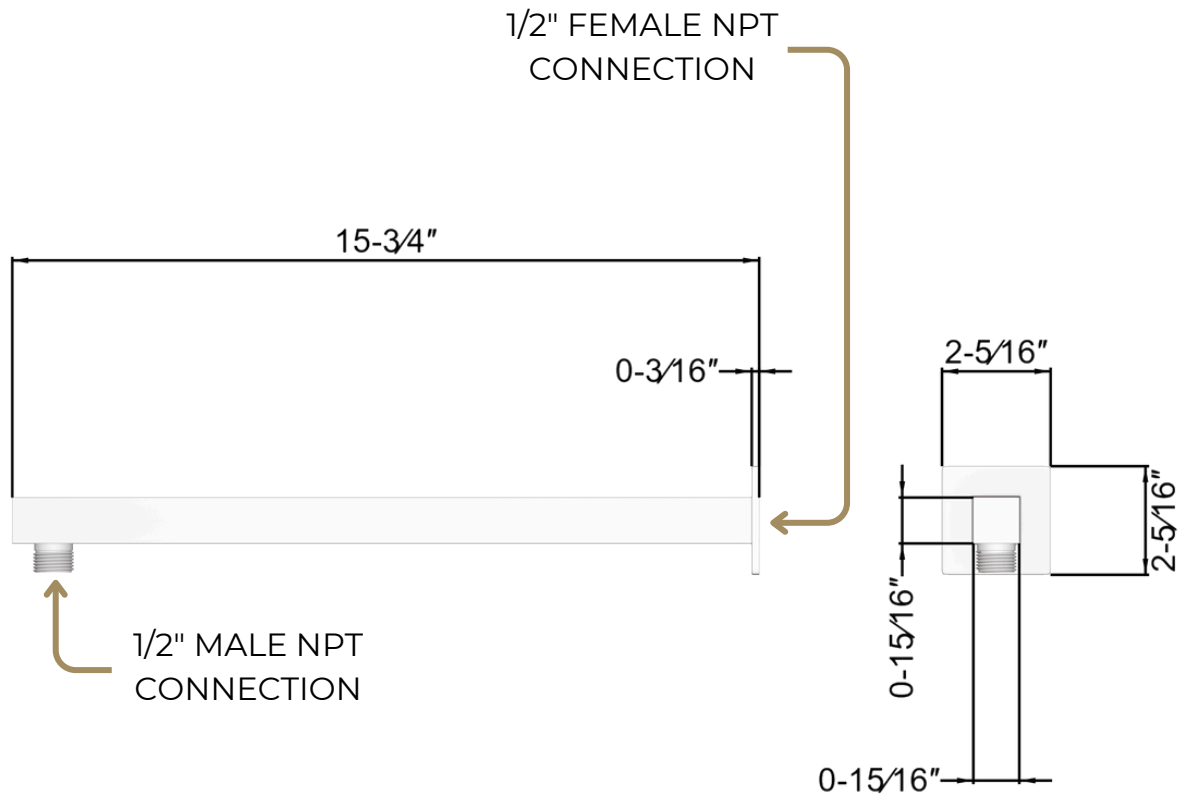
artos®

Square Thermostatic Shower Trim Kit with Wall Mount Shower Head, Hand Held Shower, Body Jets

PRODUCT DIMENSIONS

PRODUCT SKU

FSC1001



PS127

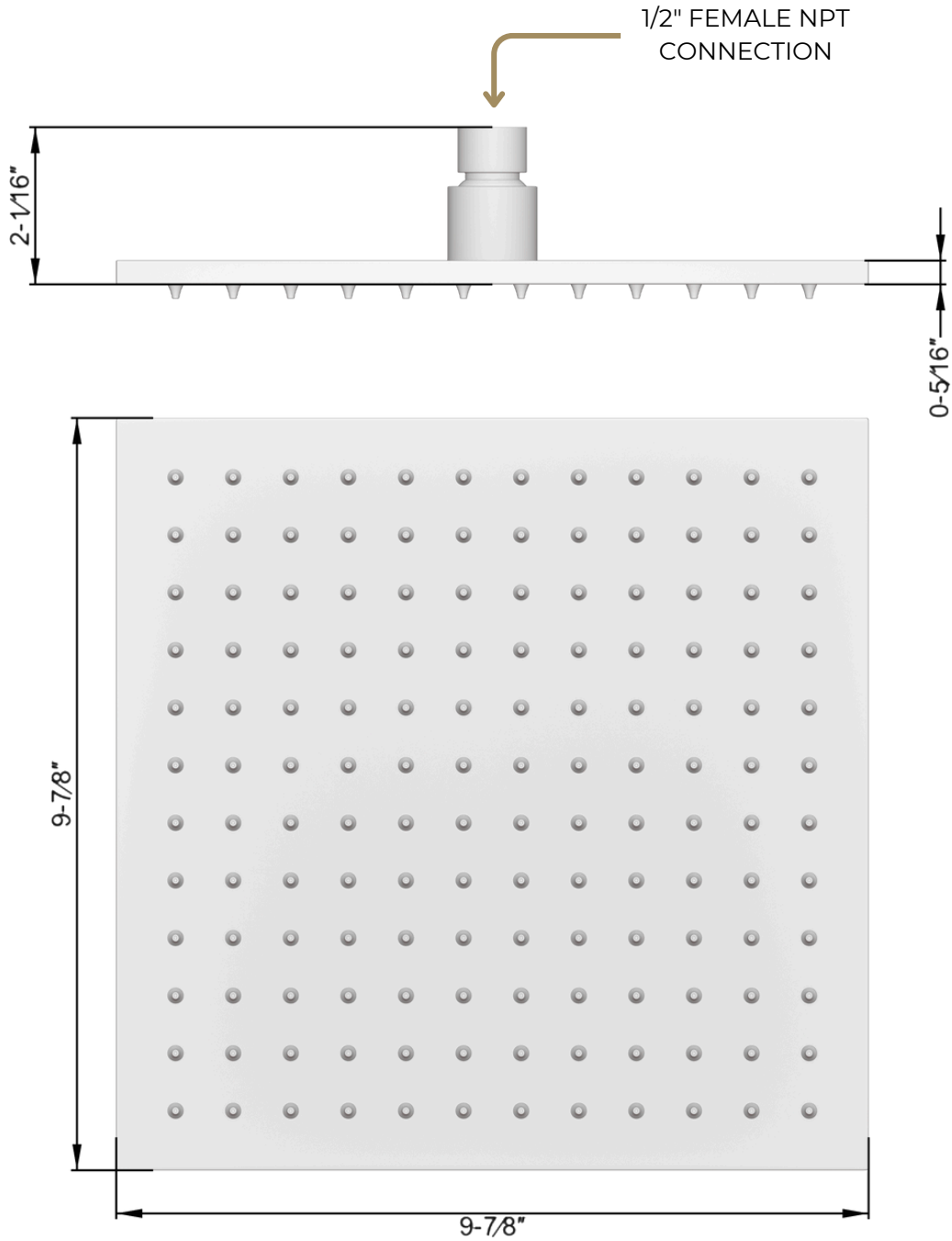
artos®

Square Thermostatic Shower Trim Kit with Wall Mount Shower Head, Hand Held Shower, Body Jets

PRODUCT DIMENSIONS

PRODUCT SKU

F901-9



PS127

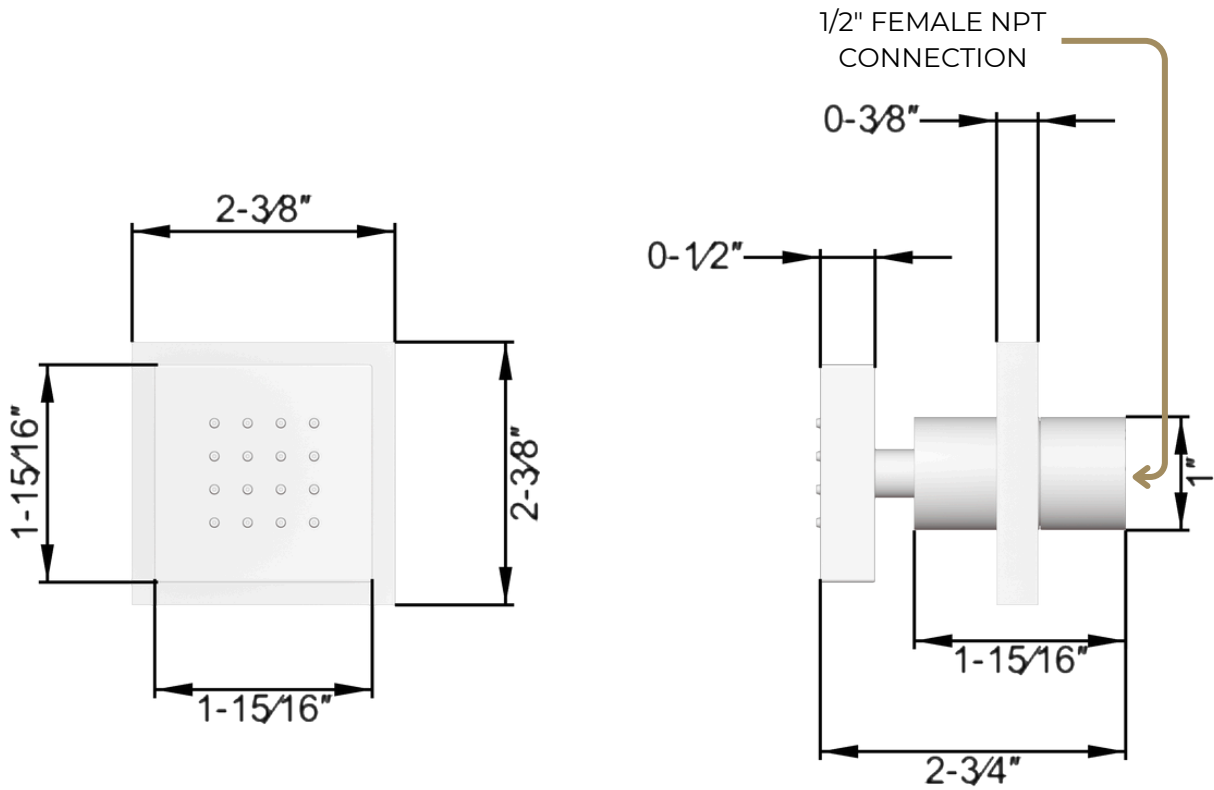
artos®

Square Thermostatic Shower Trim Kit with Wall Mount Shower Head, Hand Held Shower, Body Jets

PRODUCT DIMENSIONS

PRODUCT SKU

F905-1



PS127

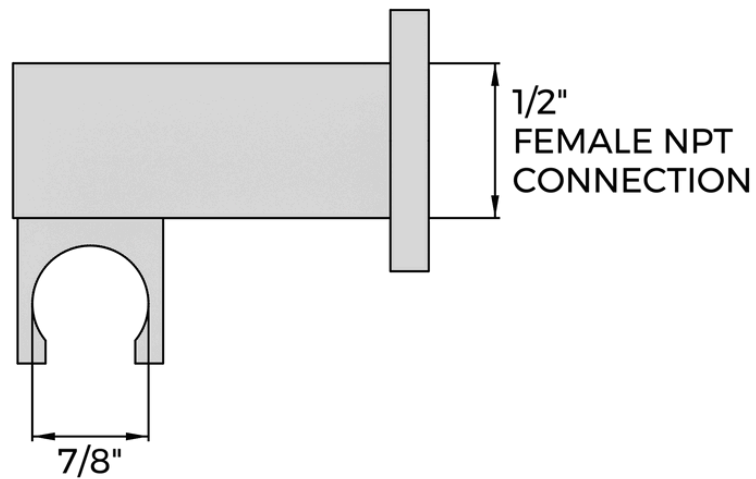
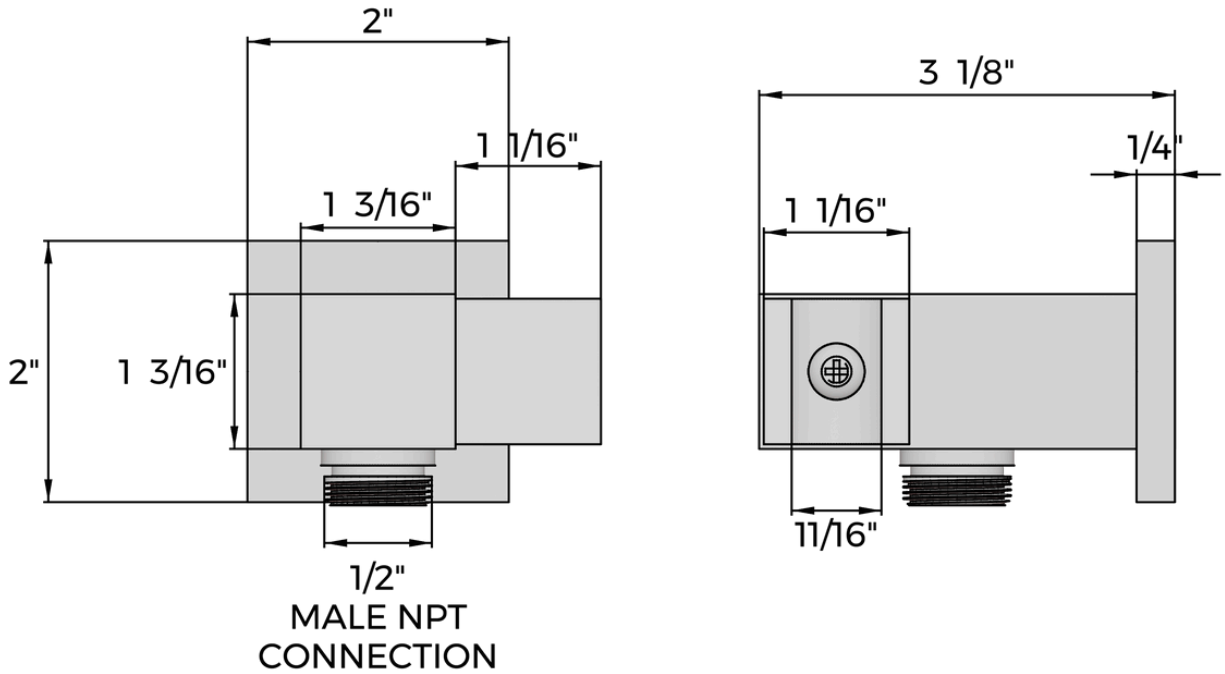
artos®

Square Thermostatic Shower Trim Kit with Wall Mount Shower Head, Hand Held Shower, Body Jets

PRODUCT DIMENSIONS

PRODUCT SKU

FSC1002



PS127

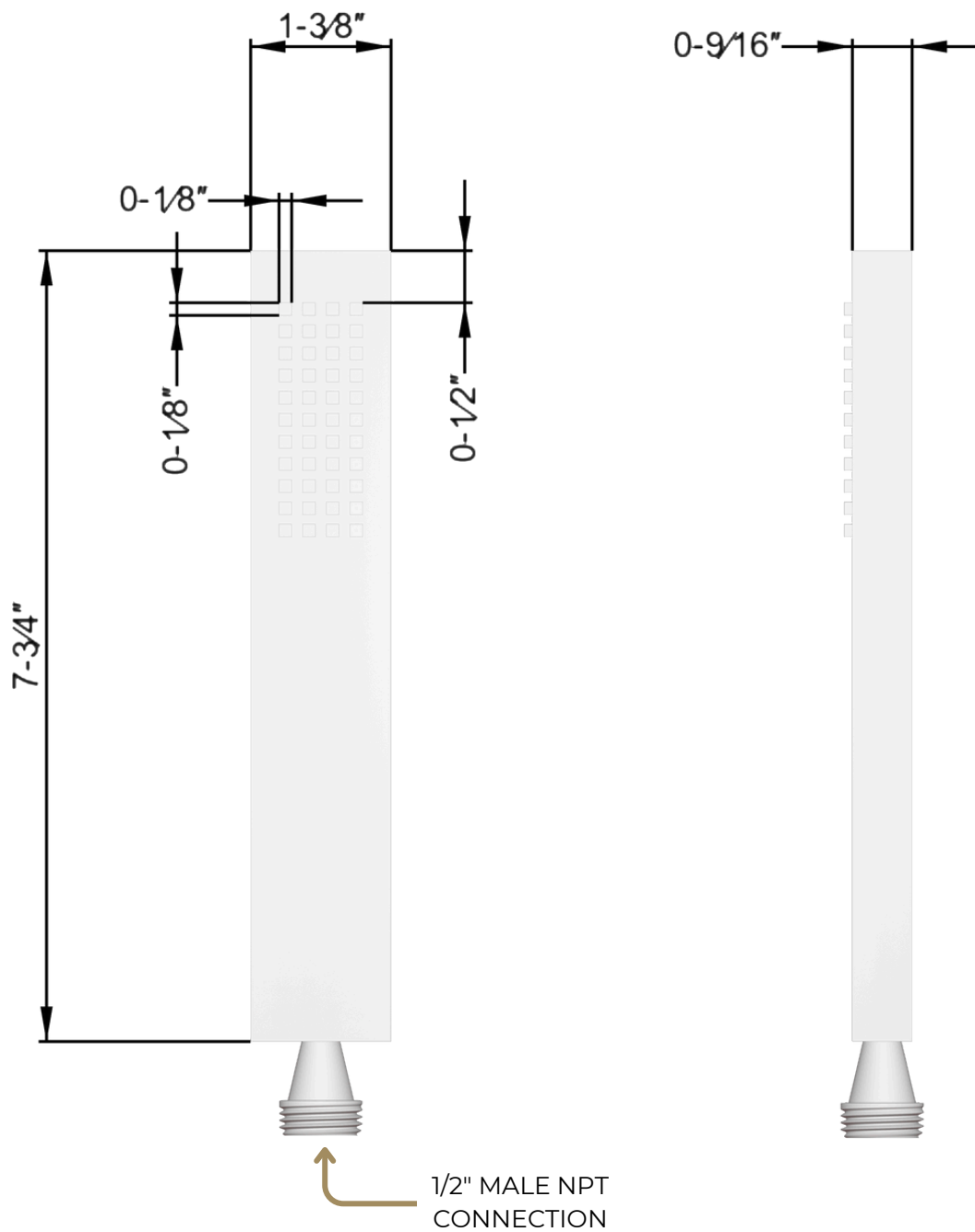
artos®

Square Thermostatic Shower Trim Kit with Wall Mount Shower Head, Hand Held Shower, Body Jets

PRODUCT DIMENSIONS

PRODUCT SKU

FSC1016



PS127

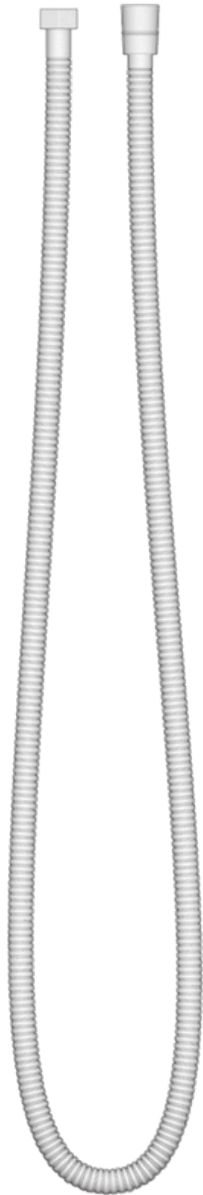
Square Thermostatic Shower Trim Kit with Wall Mount Shower Head, Hand Held Shower, Body Jets

artos®

PRODUCT DIMENSIONS

PRODUCT SKU

F902-8



METAL SHOWER HOSE

1/2" FEMALE NPT CONNECTIONS
60" IN LENGTH