

PS120CL

artos®

Classic Thermostatic Shower Trim Kit with Wall Mount Shower Head, Hand Held Shower, Tub Filler

OPERATING SPECIFICATIONS

OPERATING PRESSURE

Minimum: 15 psi

Maximum: 125 psi

Above 90psi it may be necessary to install a pressure reducer

OPERATING TEMPERATURE

Maximum: 176°

FLOW CAPACITY

Shower Head: 1.8 USGPM

Hand Shower: 1.8 USGPM

STANDARDS

ASSE 1016-2011

ASME_A112.1016-2011

CSA B125:16-11



PS120CL

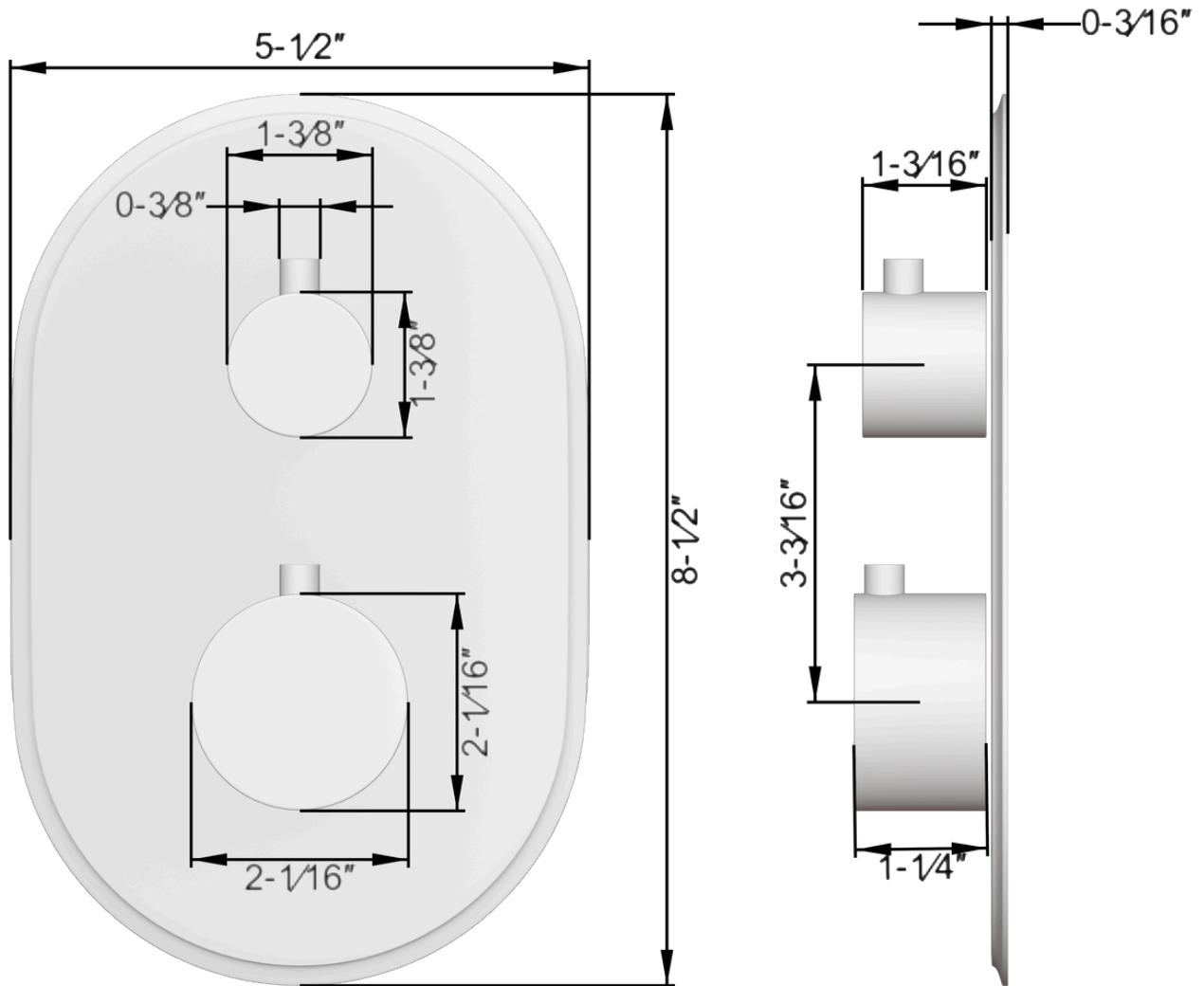
artos®

Classic Thermostatic Shower Trim Kit with Wall Mount Shower Head, Hand Held Shower, Tub Filler

PRODUCT DIMENSIONS

PRODUCT SKU

F903B-62TK



PS120CL

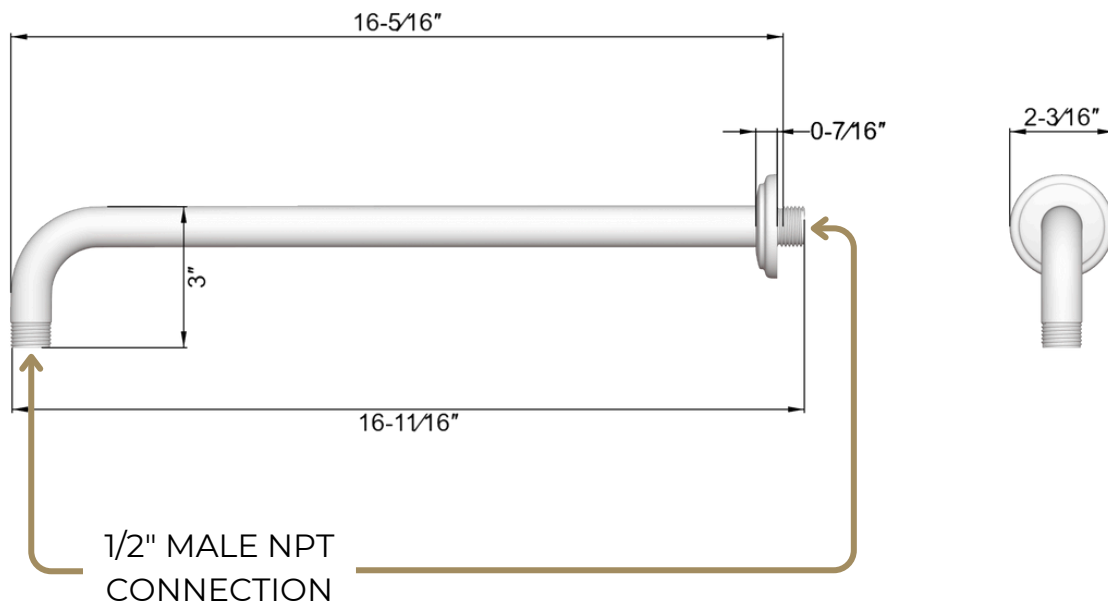
artos®

Classic Thermostatic Shower Trim Kit with Wall Mount Shower Head, Hand Held Shower, Tub Filler

PRODUCT DIMENSIONS

PRODUCT SKU

F902-1CL



PS120CL

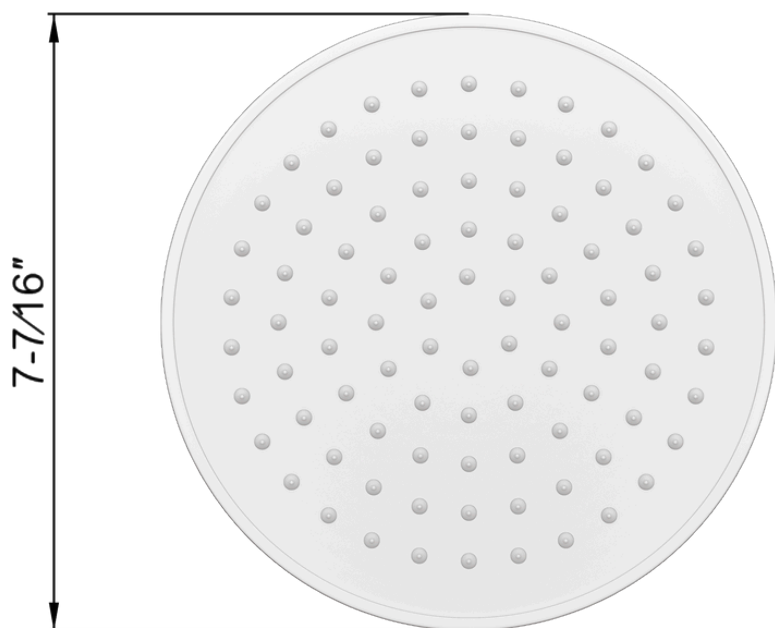
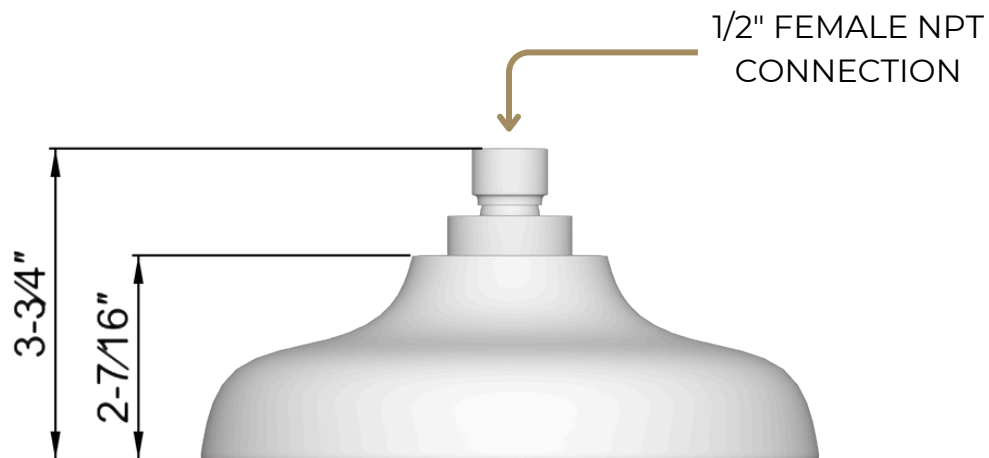
artos®

Classic Thermostatic Shower Trim Kit with Wall Mount Shower Head, Hand Held Shower, Tub Filler

PRODUCT DIMENSIONS

PRODUCT SKU

F901-22



PS120CL

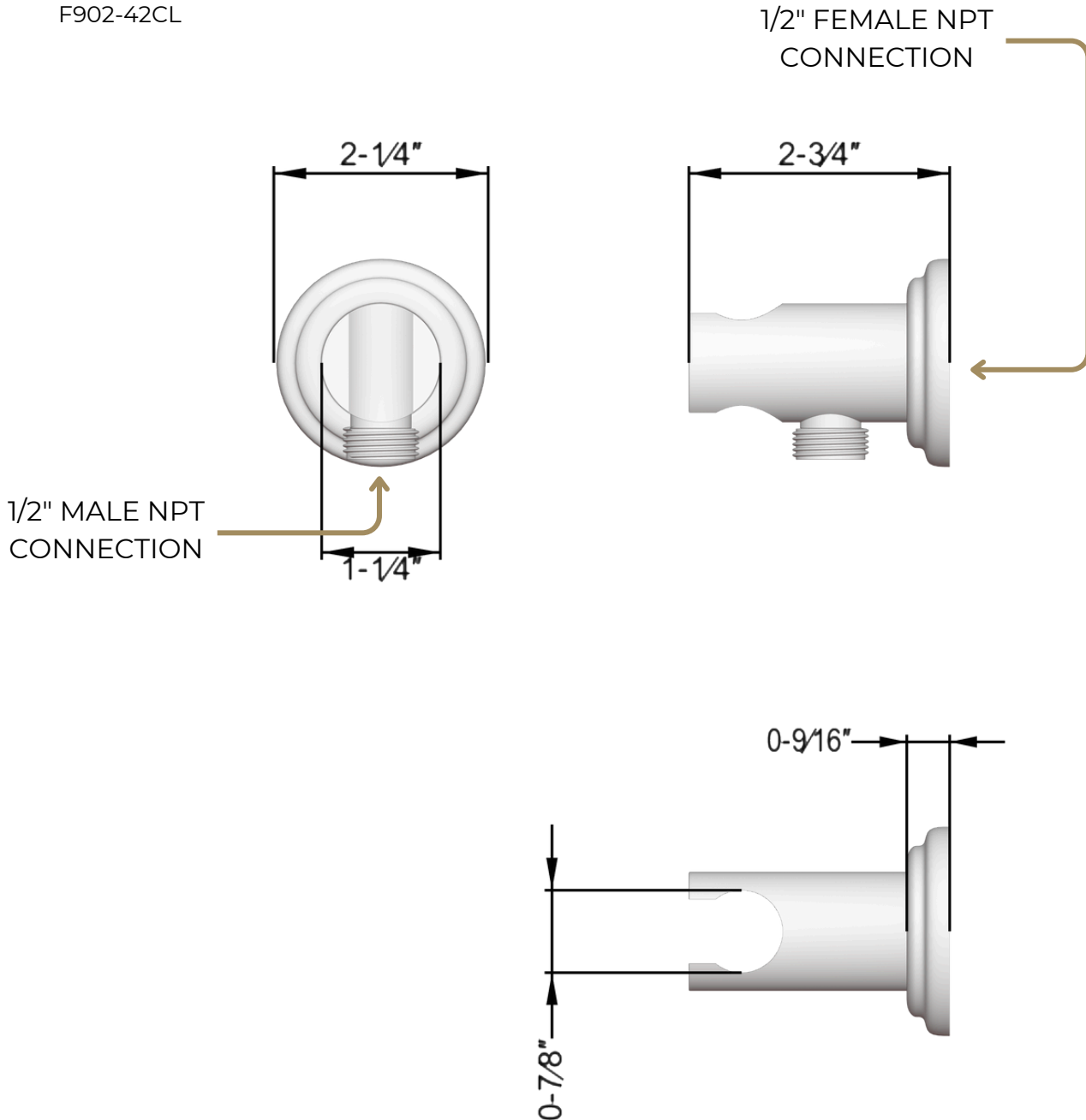
artos®

Classic Thermostatic Shower Trim Kit with Wall Mount Shower Head, Hand Held Shower, Tub Filler

PRODUCT DIMENSIONS

PRODUCT SKU

F902-42CL



PS120CL

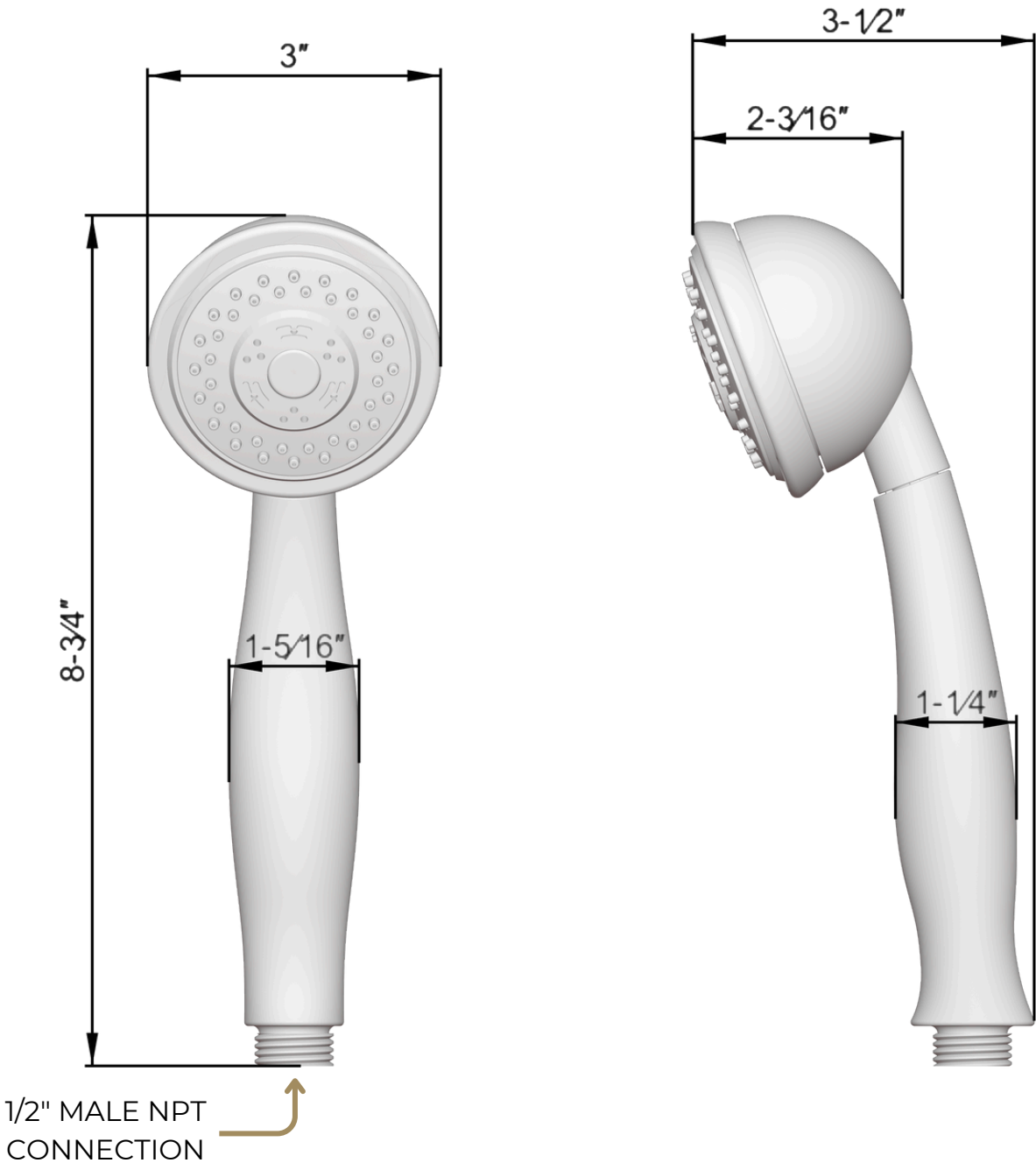
artos®

Classic Thermostatic Shower Trim Kit with Wall Mount Shower Head, Hand Held Shower, Tub Filler

PRODUCT DIMENSIONS

PRODUCT SKU

F901-23



PS120CL

Classic Thermostatic Shower Trim Kit with Wall Mount Shower Head, Hand Held Shower, Tub Filler

artos®

PRODUCT DIMENSIONS

PRODUCT SKU

F902-8



METAL SHOWER HOSE

1/2" FEMALE NPT CONNECTIONS
60" IN LENGTH

PS120CL

artos®

Classic Thermostatic Shower Trim Kit with Wall Mount Shower Head, Hand Held Shower, Tub Filler

PRODUCT DIMENSIONS

PRODUCT SKU

F908-7

