

# PS119

artos®

Square Thermostatic Shower Trim Kit with Wall Mount Shower Head, Hand Held Shower, Tub Filler

## OPERATING SPECIFICATIONS



### OPERATING PRESSURE

Minimum: 15 psi

Maximum: 125 psi

Above 90psi it may be necessary to install a pressure reducer

### OPERATING TEMPERATURE

Maximum: 176°

### FLOW CAPACITY

Shower Head: 1.8 USGPM

Handshower: 1.8 USGPM



### STANDARDS

ASSE 1016-2011

ASME\_A112.1016-2011

CSA B125:16-11



# PS119

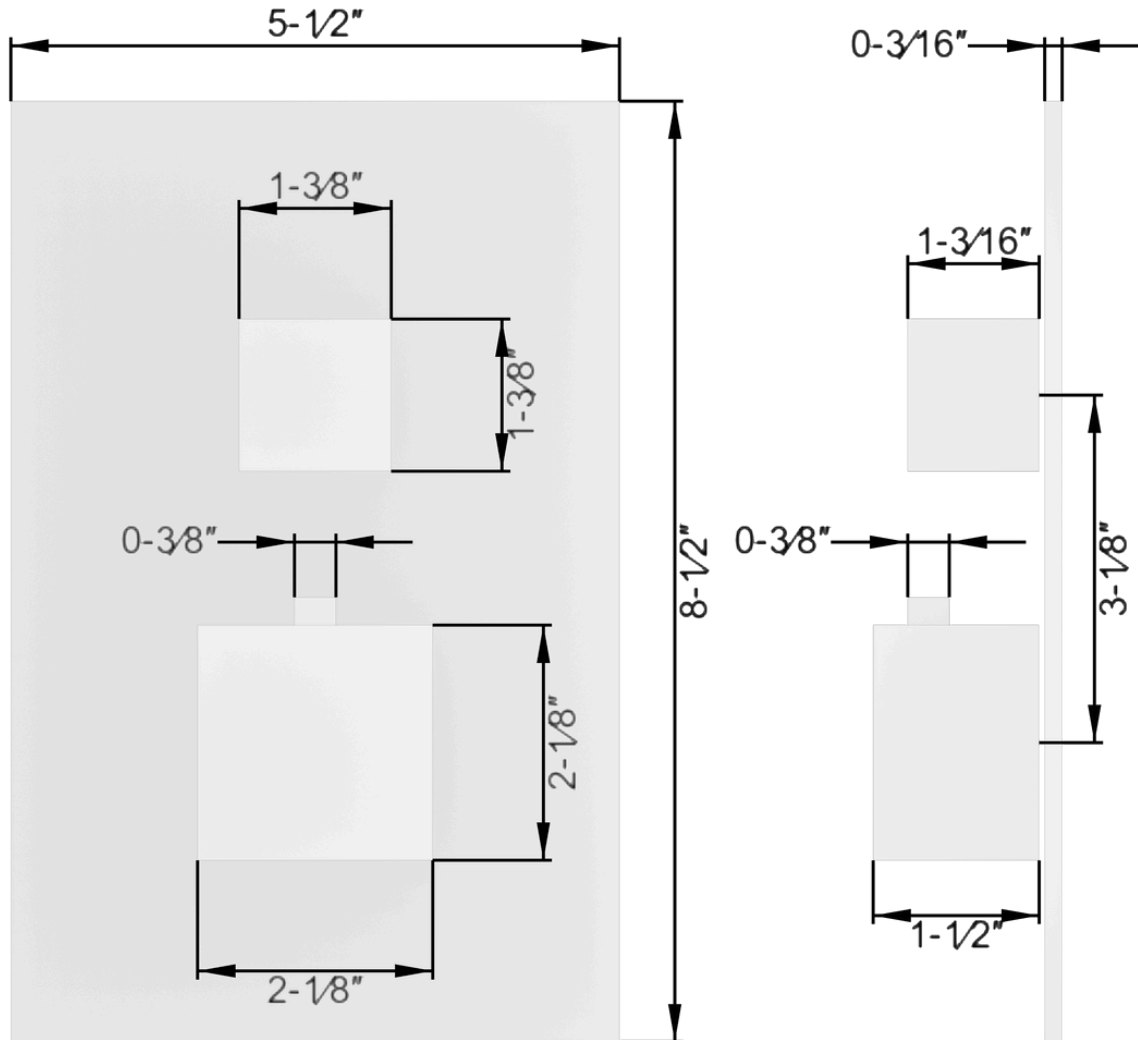
Square Thermostatic Shower Trim Kit with Wall Mount Shower Head, Hand Held Shower, Tub Filler

artos®

## PRODUCT DIMENSIONS

### PRODUCT SKU

F903B-59TK



# PS119

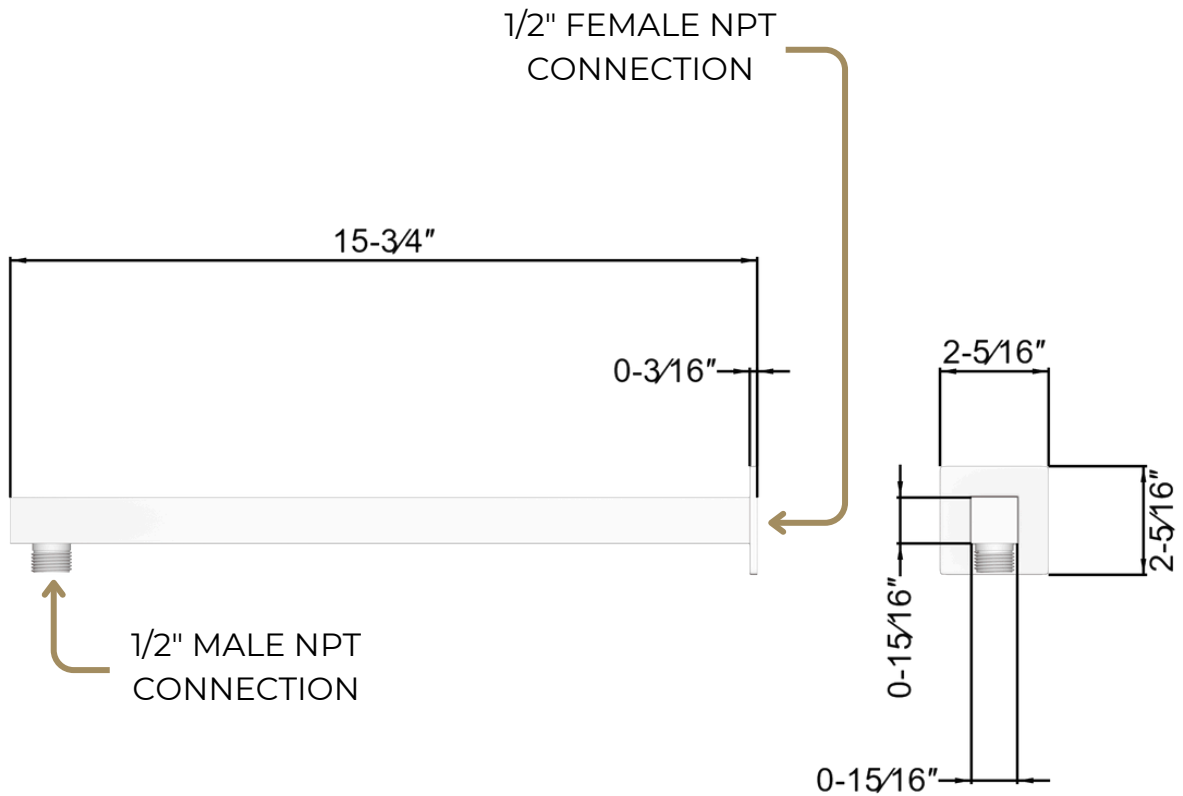
artos®

Square Thermostatic Shower Trim Kit with Wall Mount Shower Head, Hand Held Shower, Tub Filler

## PRODUCT DIMENSIONS

### PRODUCT SKU

FSC1001



# PS119

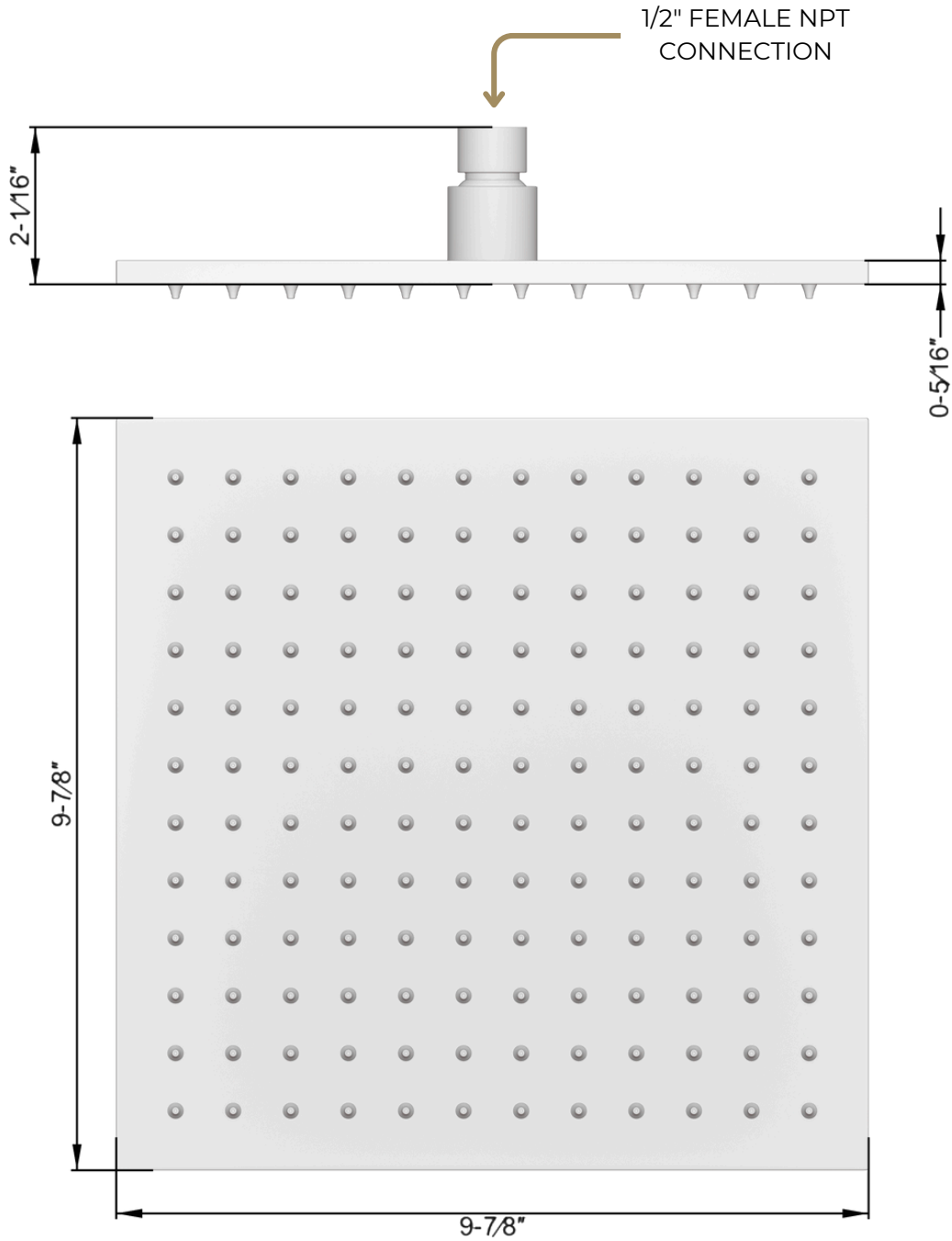
artos®

Square Thermostatic Shower Trim Kit with Wall Mount Shower Head, Hand Held Shower, Tub Filler

## PRODUCT DIMENSIONS

### PRODUCT SKU

F901-9



# PS119

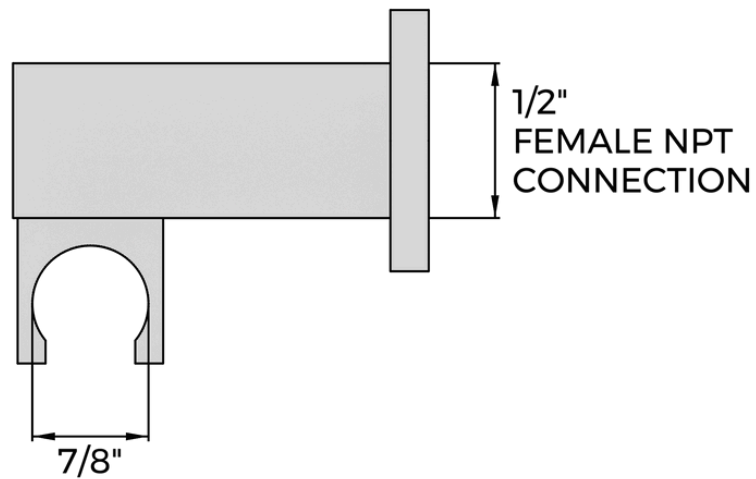
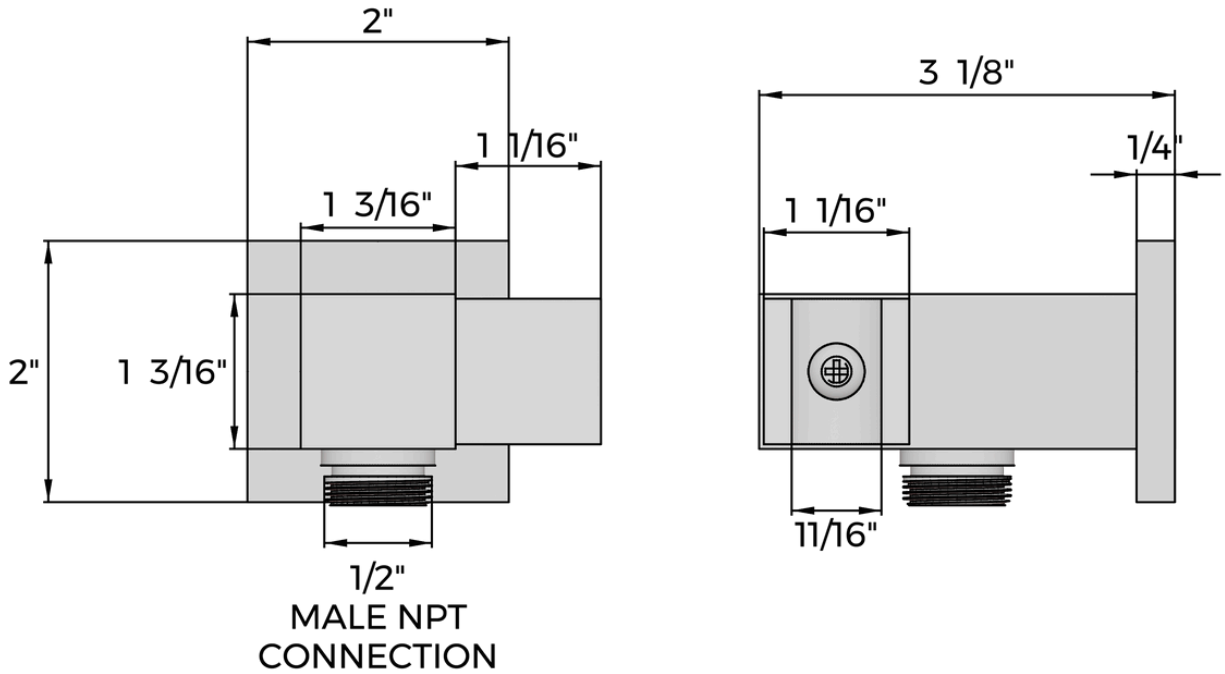
artos®

Square Thermostatic Shower Trim Kit with Wall Mount Shower Head, Hand Held Shower, Tub Filler

## PRODUCT DIMENSIONS

### PRODUCT SKU

FSC1002



# PS119

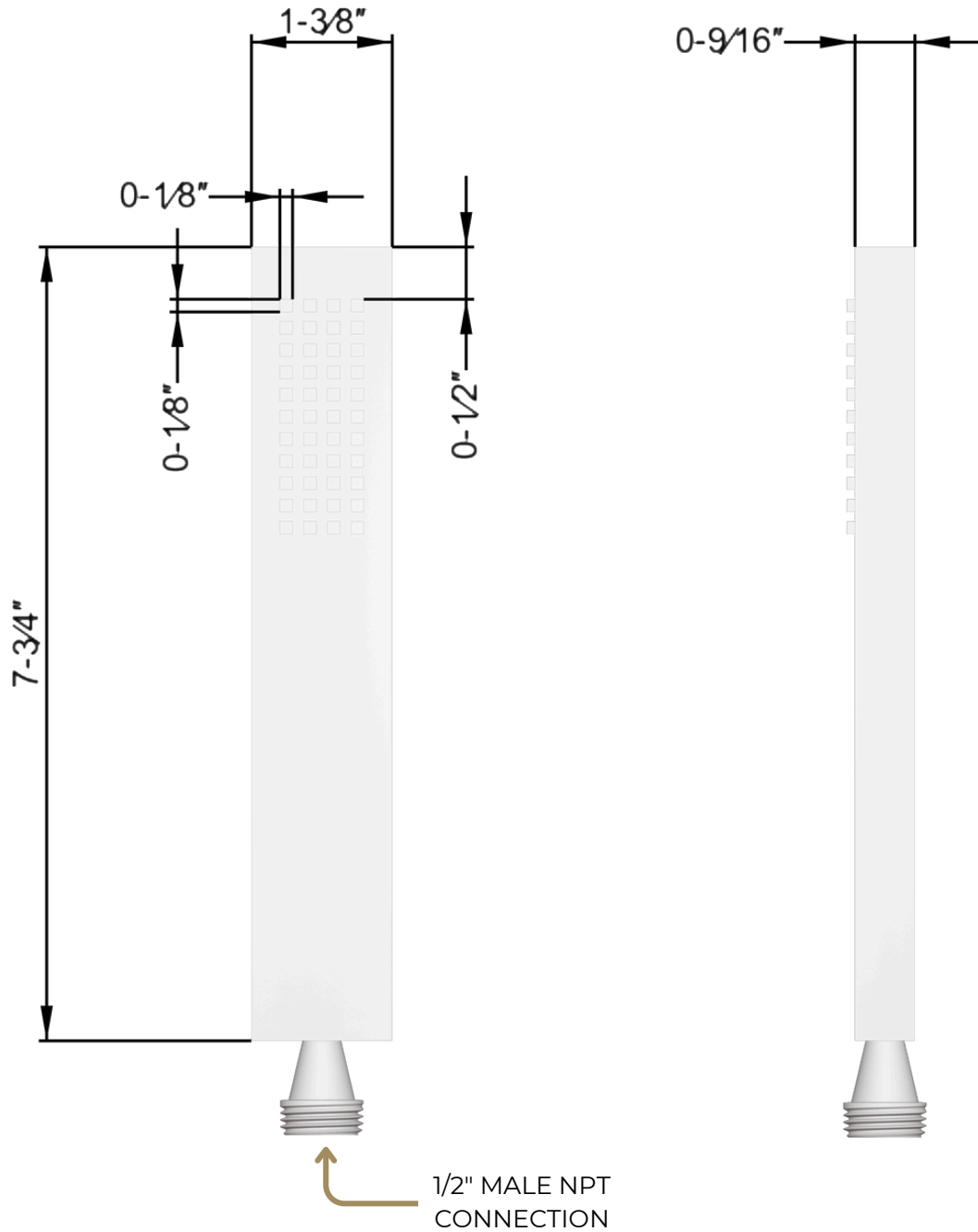
artos®

Square Thermostatic Shower Trim Kit with Wall Mount Shower Head, Hand Held Shower, Tub Filler

## PRODUCT DIMENSIONS

### PRODUCT SKU

FSC1016



1/2" MALE NPT CONNECTION

# PS119

Square Thermostatic Shower Trim Kit with Wall Mount Shower Head, Hand Held Shower, Tub Filler

artos®

## PRODUCT DIMENSIONS

---

### PRODUCT SKU

F902-8



### METAL SHOWER HOSE

1/2" FEMALE NPT CONNECTIONS  
60" IN LENGTH

# PS119

artos®

Square Thermostatic Shower Trim Kit with Wall Mount Shower Head, Hand Held Shower, Tub Filler

## PRODUCT DIMENSIONS

### PRODUCT SKU

F402-10

DOUBLE O-RING  
PUSH FIT SEAL  
WITH SET SCREWS  
SECURING FROM  
BENEATH

