

artos®

PS116

INSTALLATION GUIDE

premier series shower set

BRUSHED NICKEL(PS116BN)



CHROME(PS116CH)



BLACK(BK)



artos[®]

PS116

premier series shower set

OPERATING SPECIFICATIONS



FEATURES

Solid Brass
3-Outlets

INCLUDES

F903B-58TK
F907-28
F907-60
F908-4

OPERATING PRESSURE

Minimum: 15 psi
Maximum: 75 psi
Above 90psi it may be necessary to install a pressure reducer

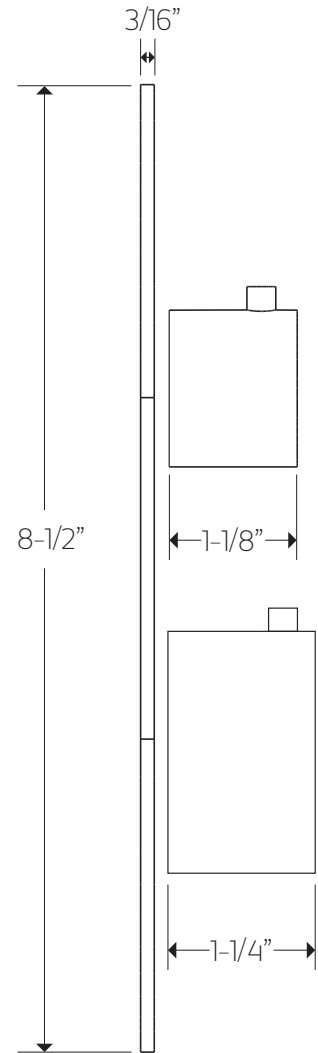
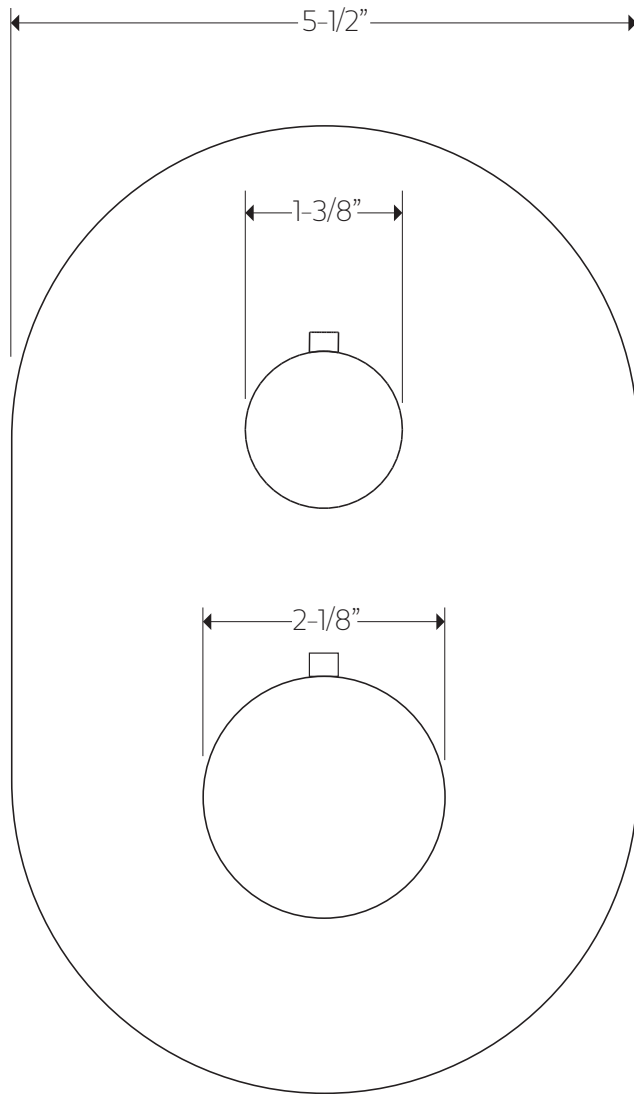
OPERATING TEMPERATURE

Maximum: 176°

FLOW CAPACITY

Hand Shower: 1.8 USGPM
Shower Head: 1.8 USGPM
Tub Filler: 6.0 USGPM





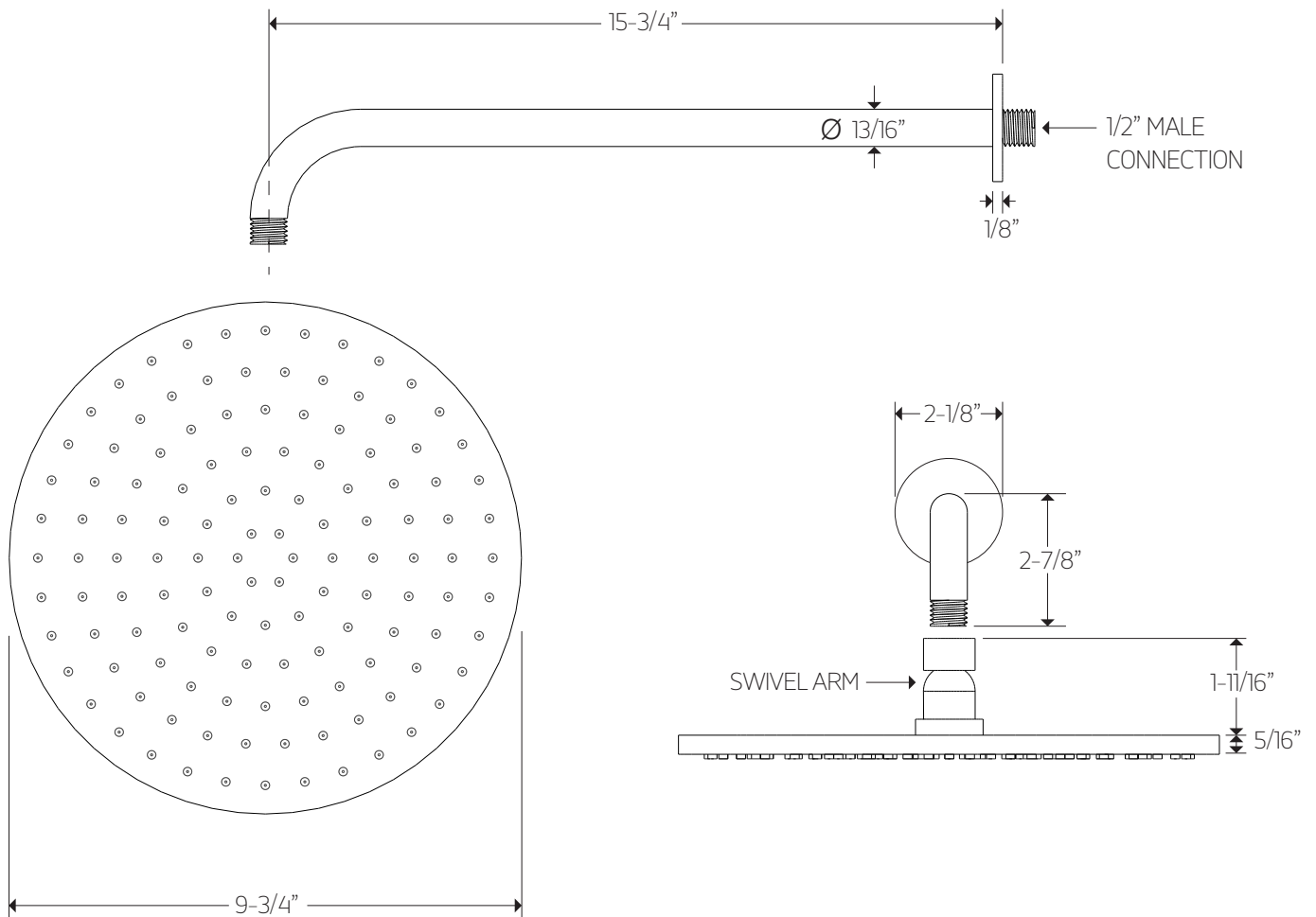
artos®

PS116

PRODUCT DIMENSIONS

premier series shower set

for shower head



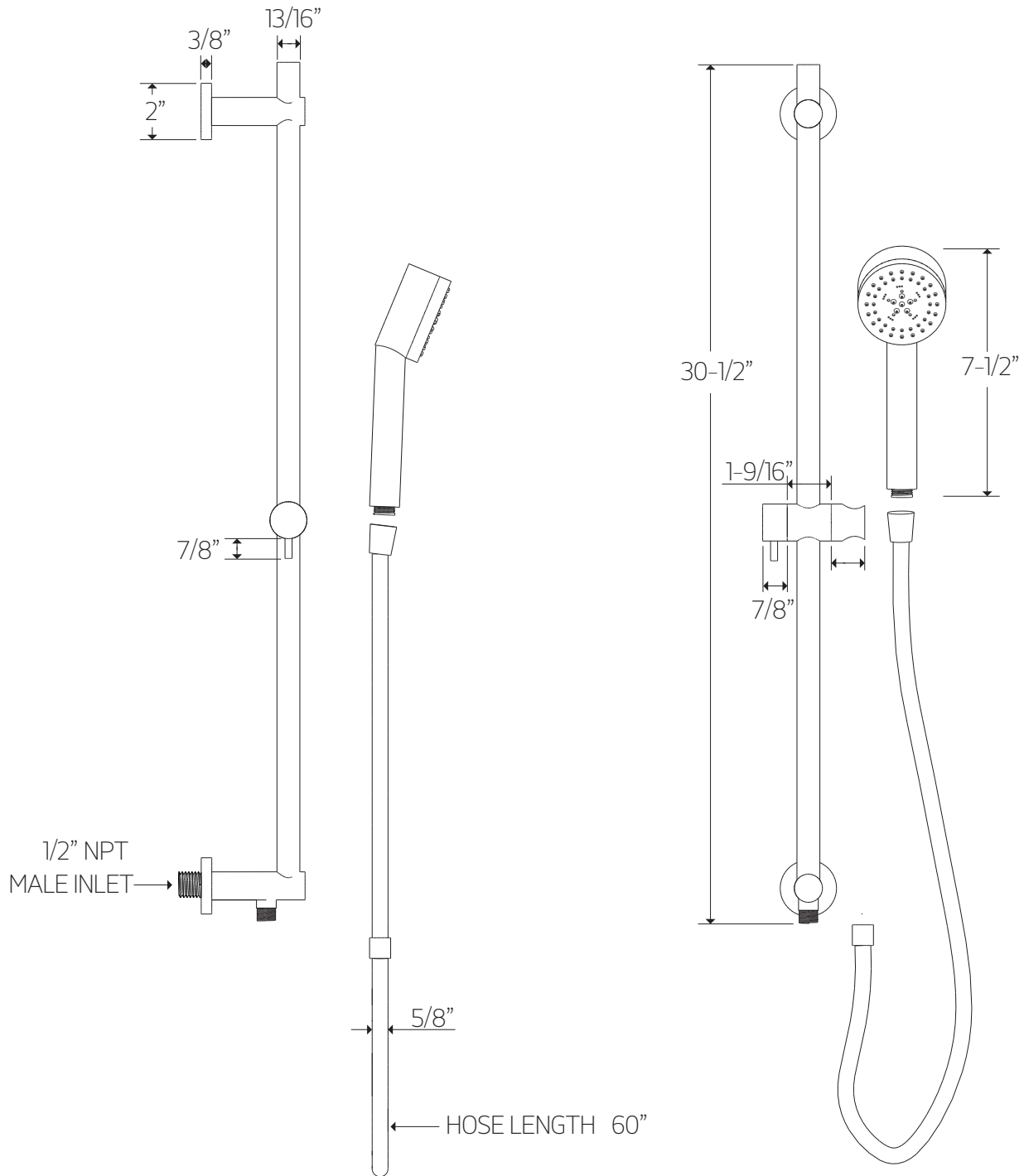
artos[®]

PS116

premier series shower set

PRODUCT DIMENSIONS

for hand shower



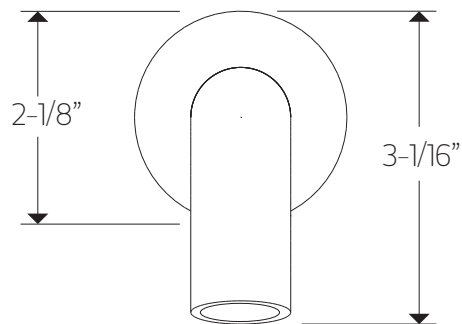
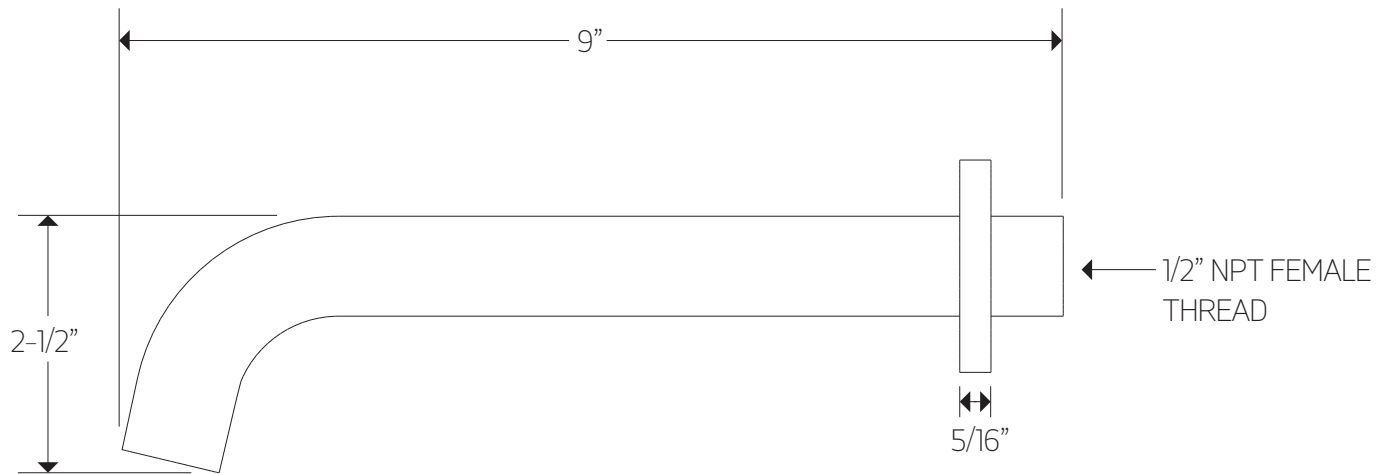
artos[®]

PS116

PRODUCT DIMENSIONS

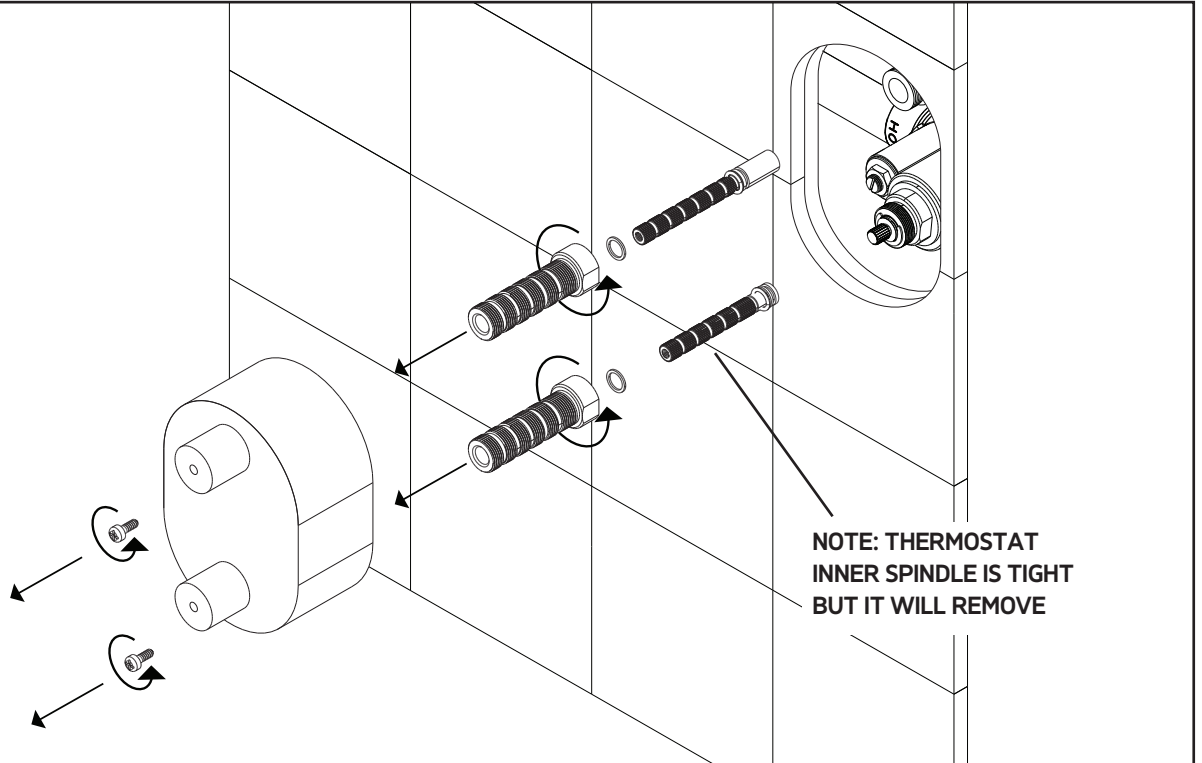
premier series shower set

for tub filler

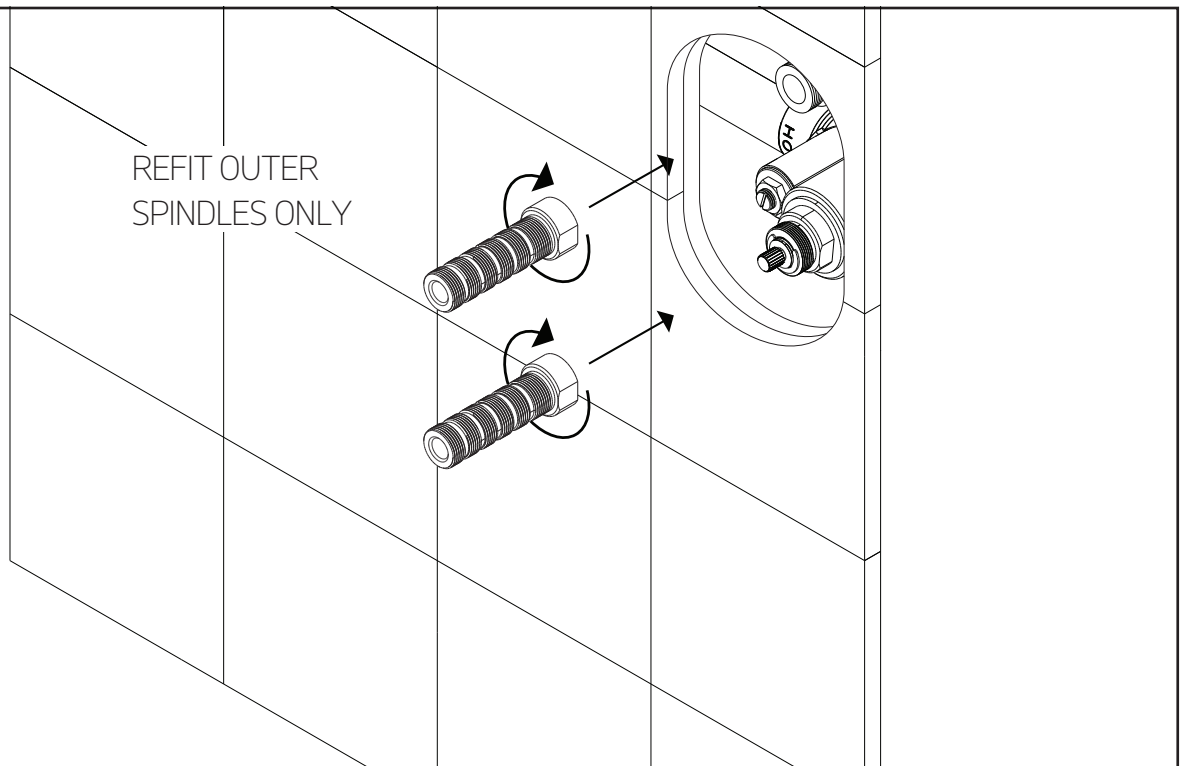


valve trim

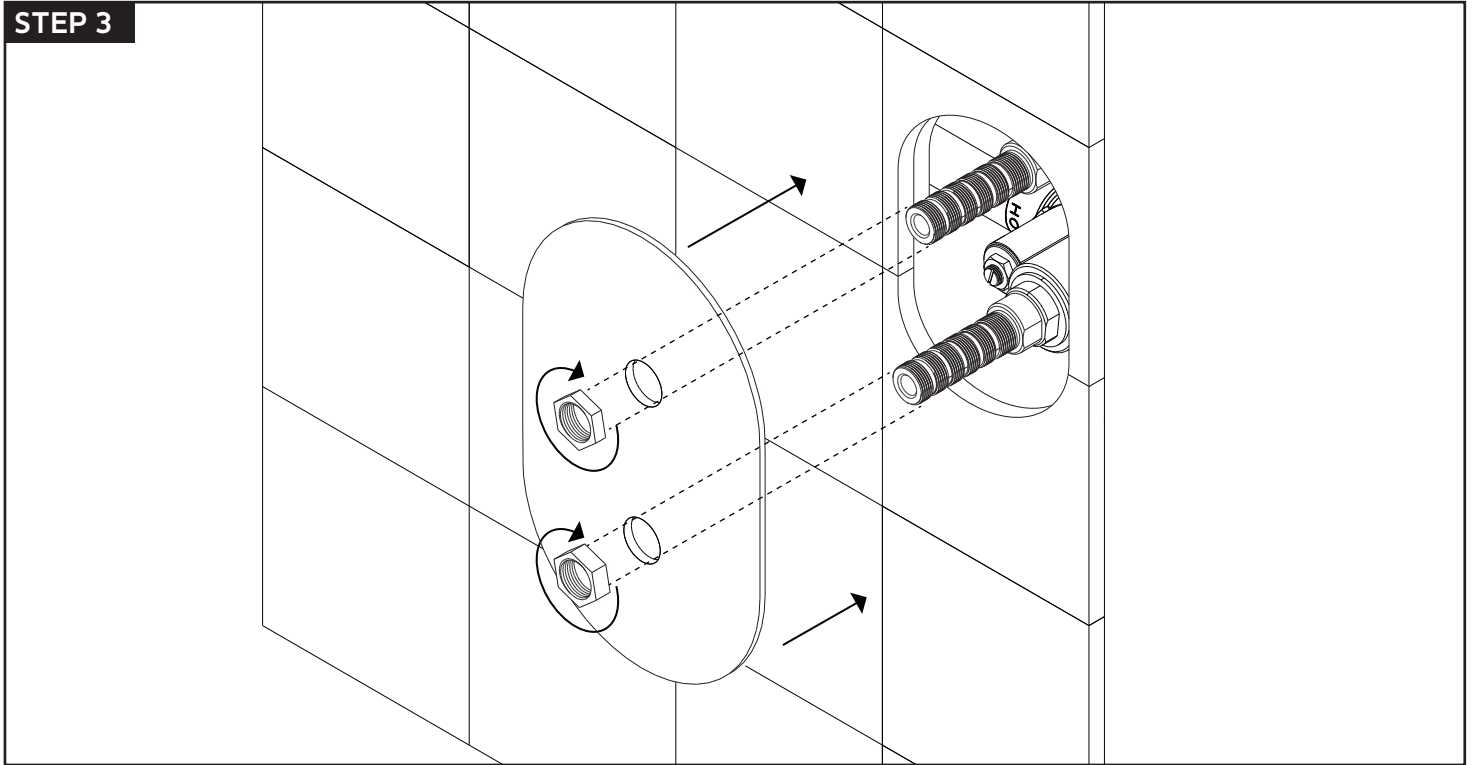
STEP 1



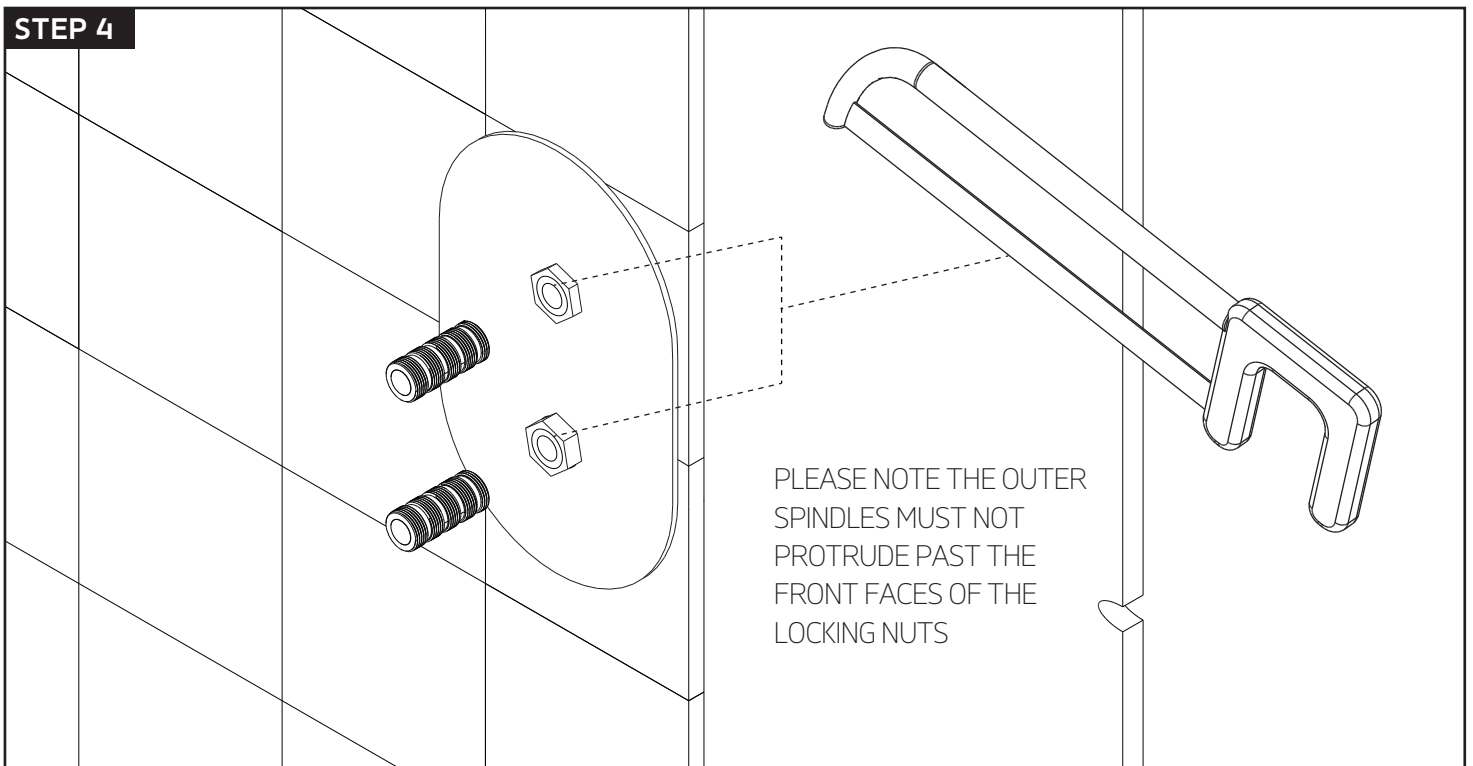
STEP 2



STEP 3

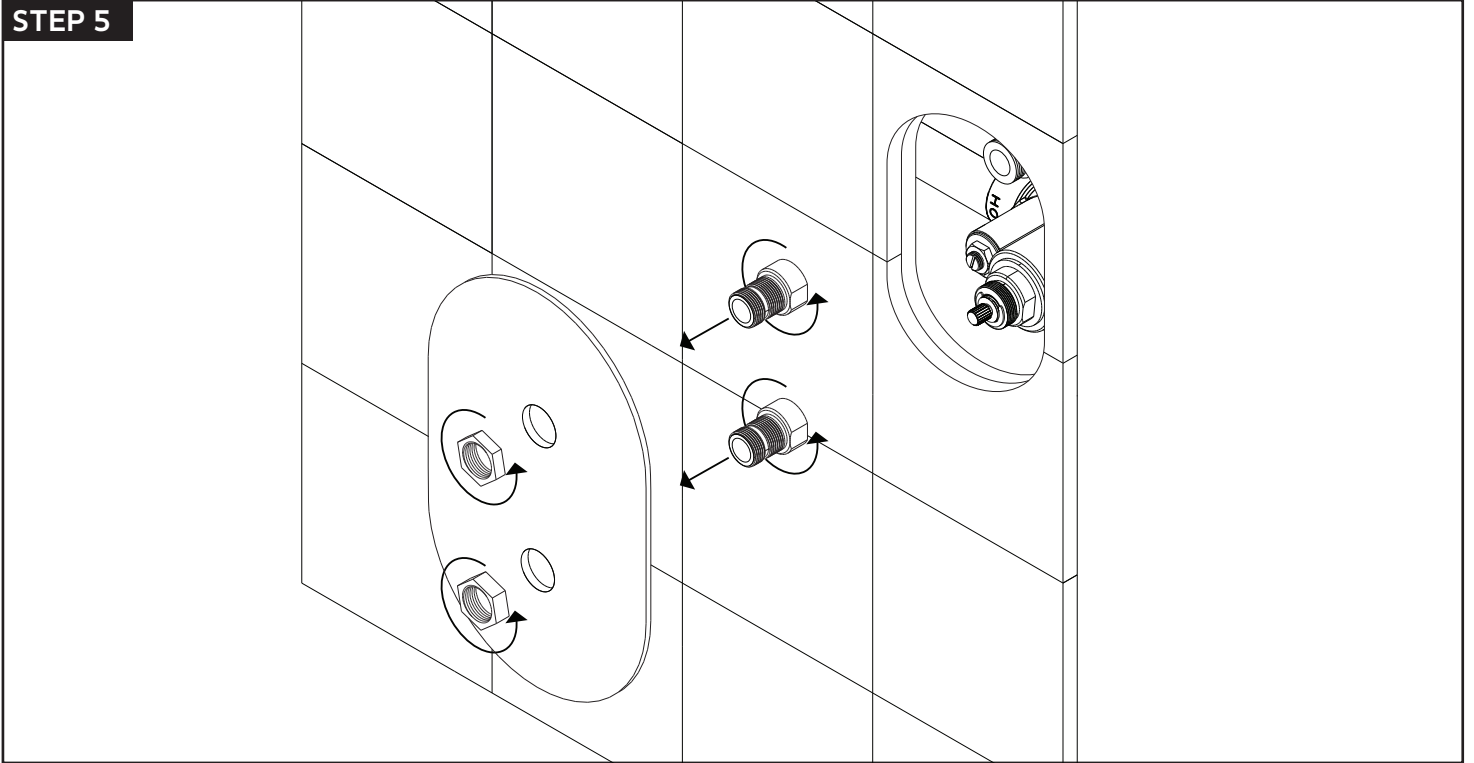


STEP 4

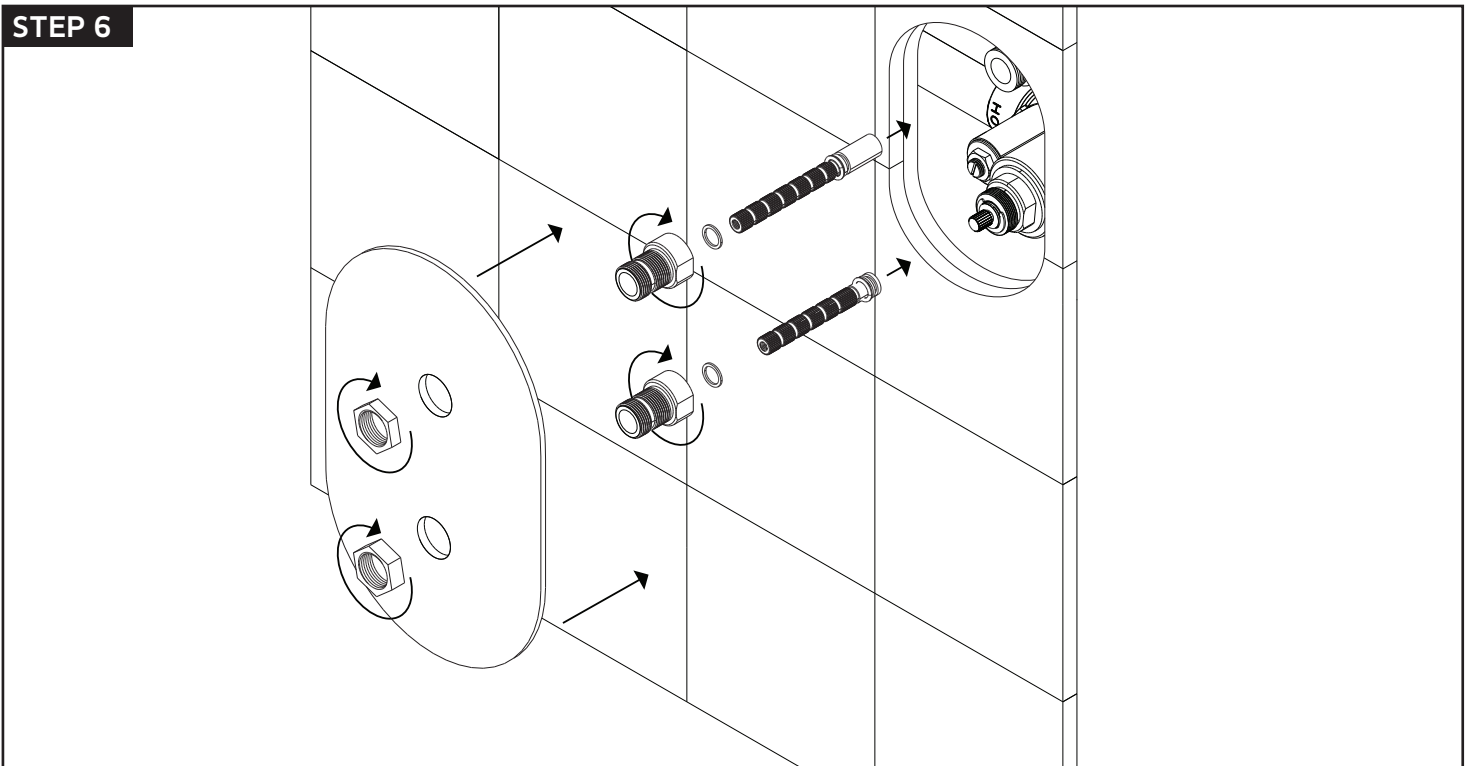


INSTALLATION STEPS

STEP 5

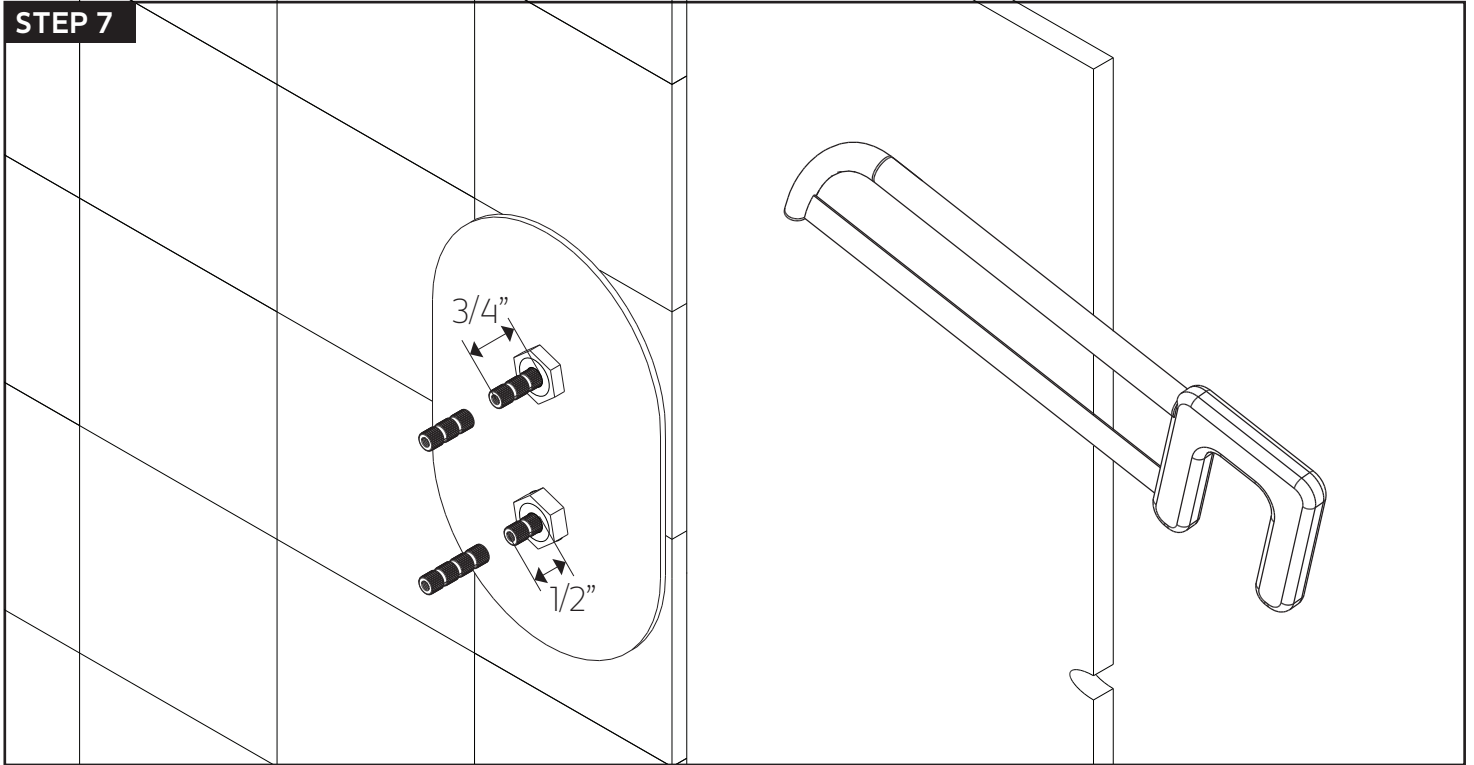


STEP 6

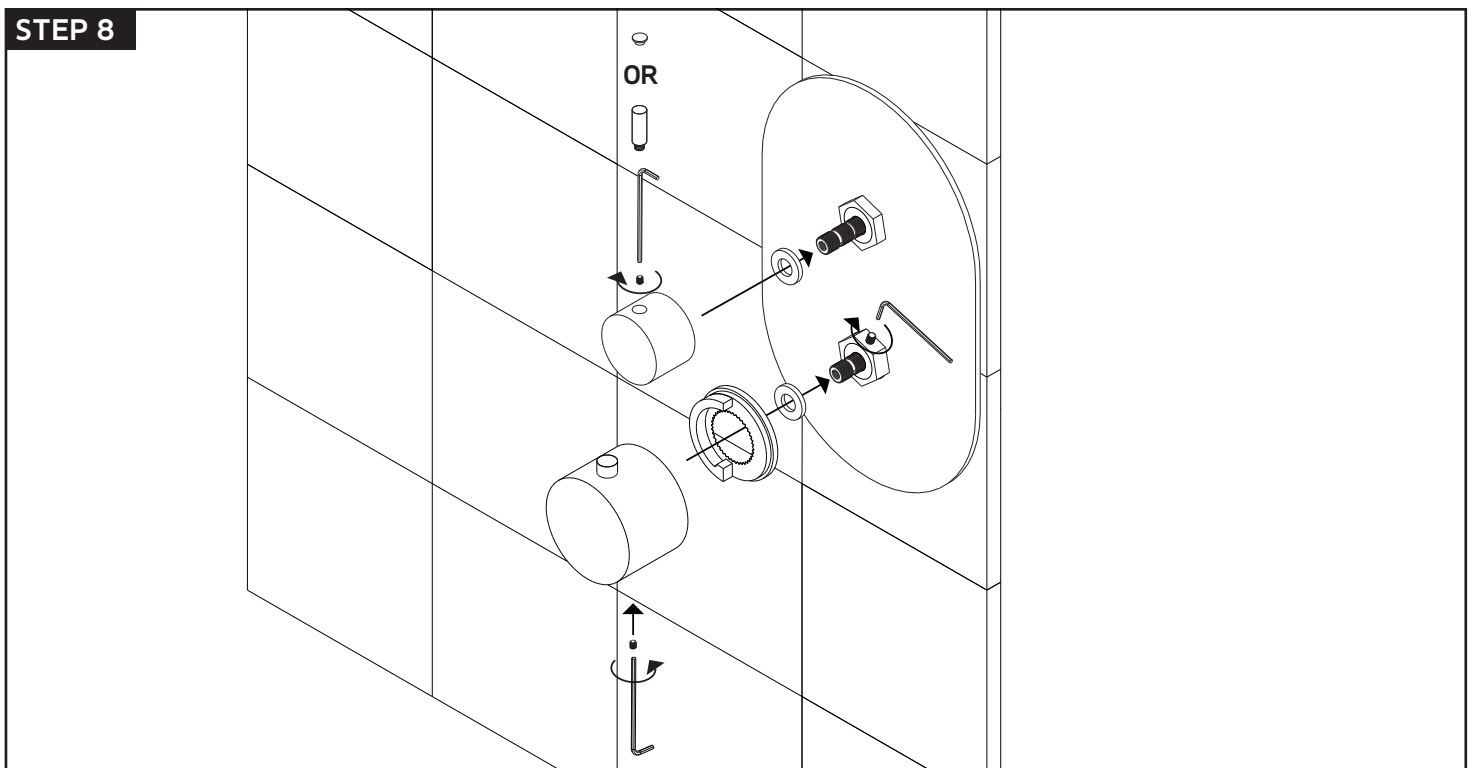


valve trim

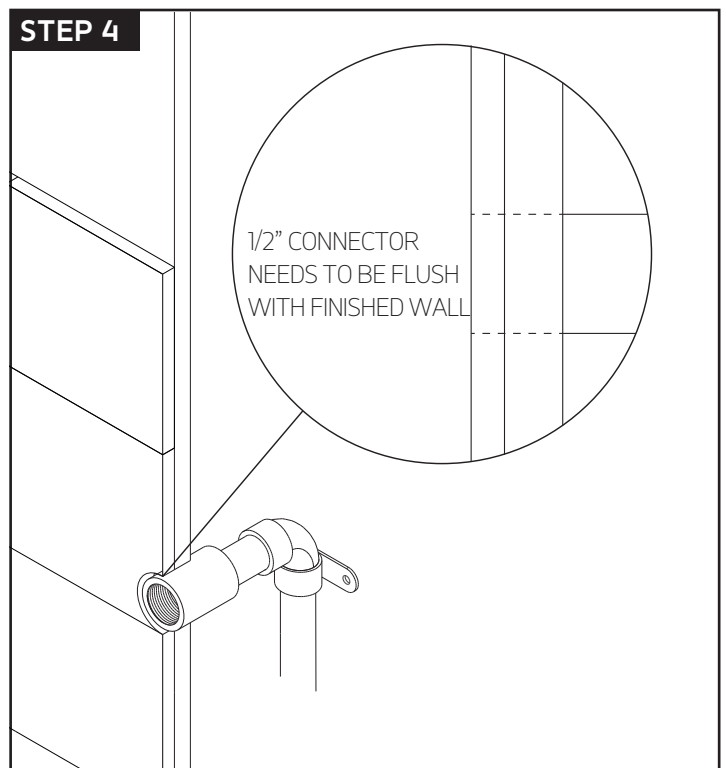
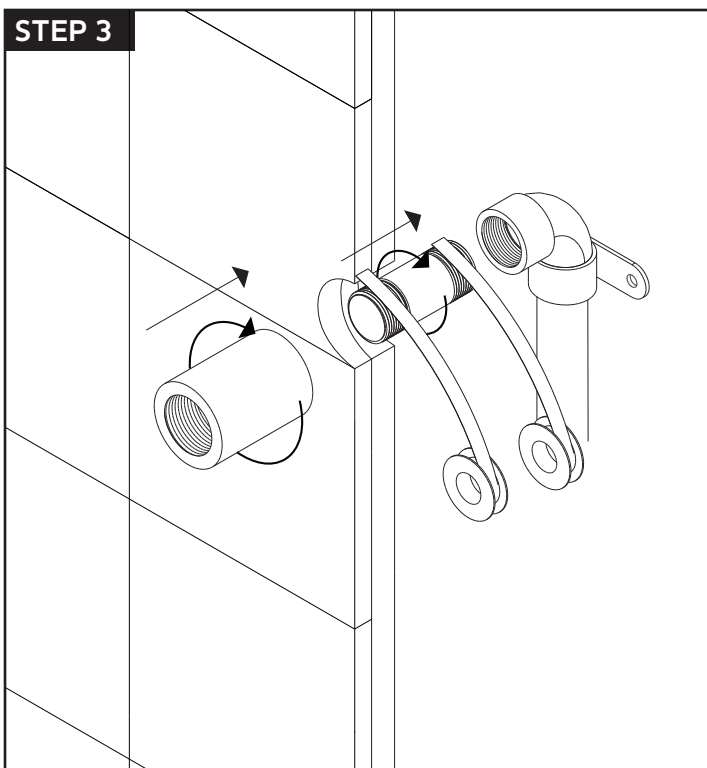
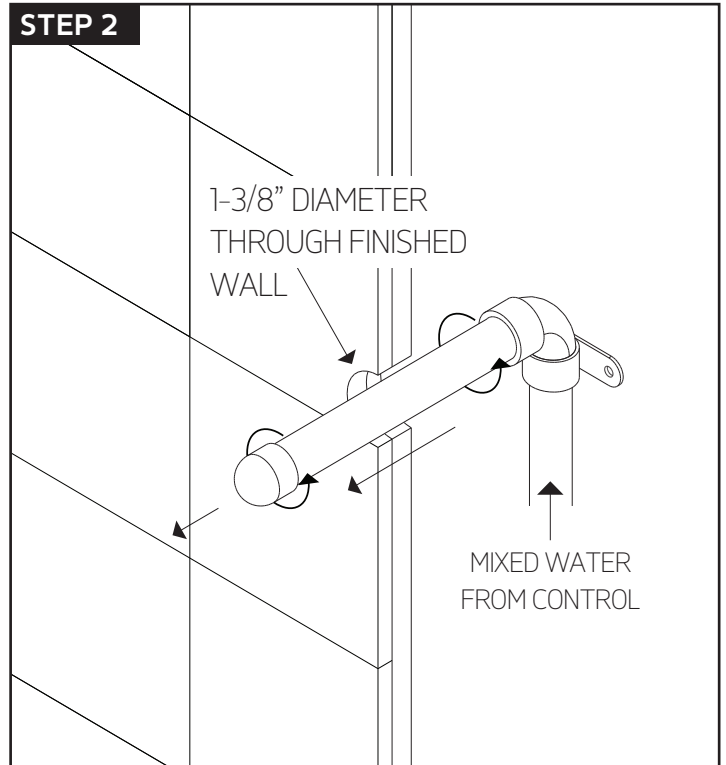
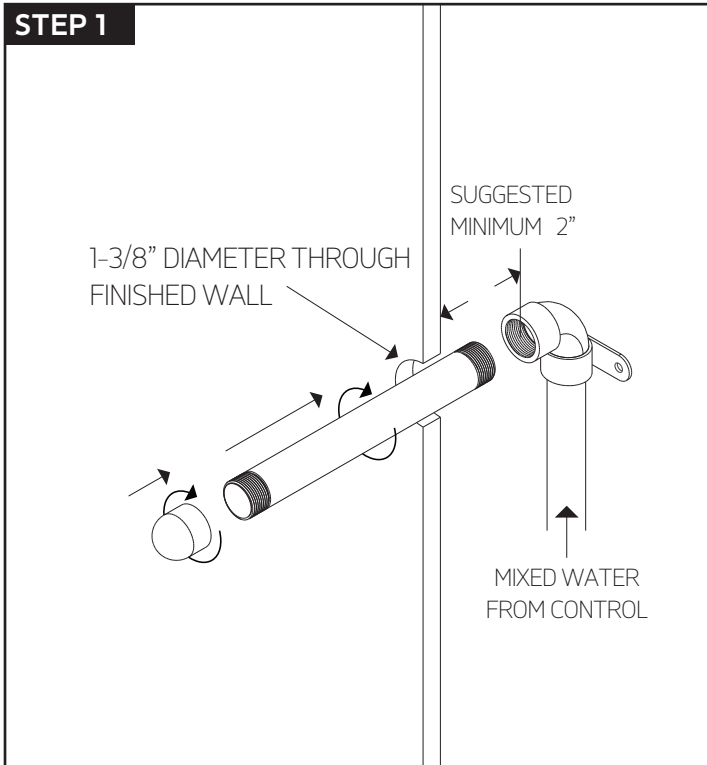
STEP 7



STEP 8



shower head

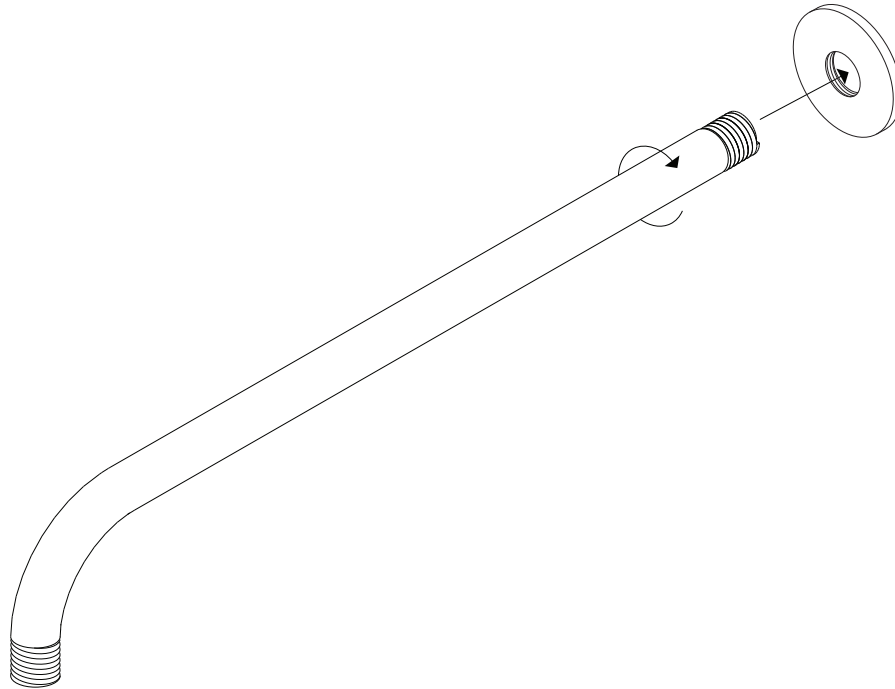


artos[®]

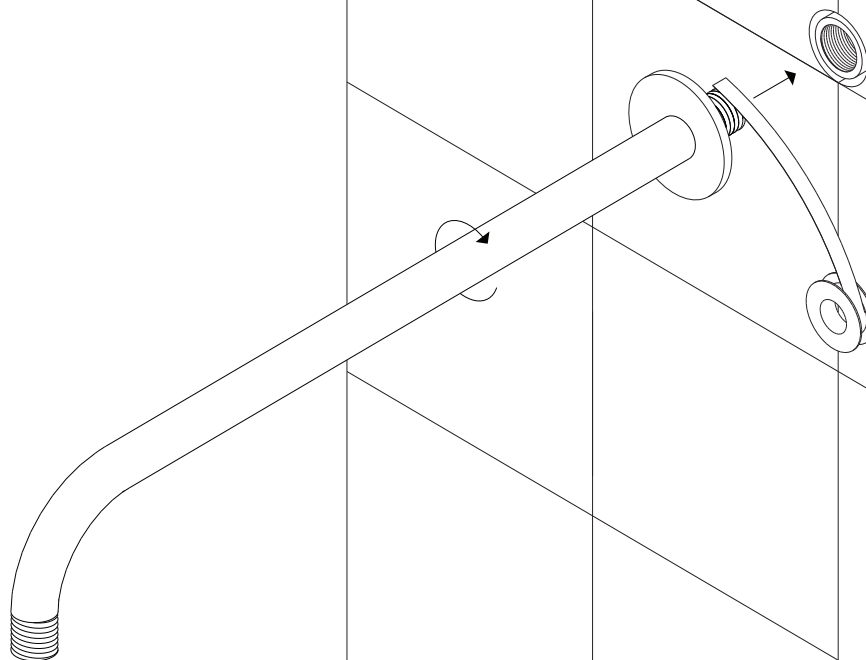
PS116

shower head

STEP 5

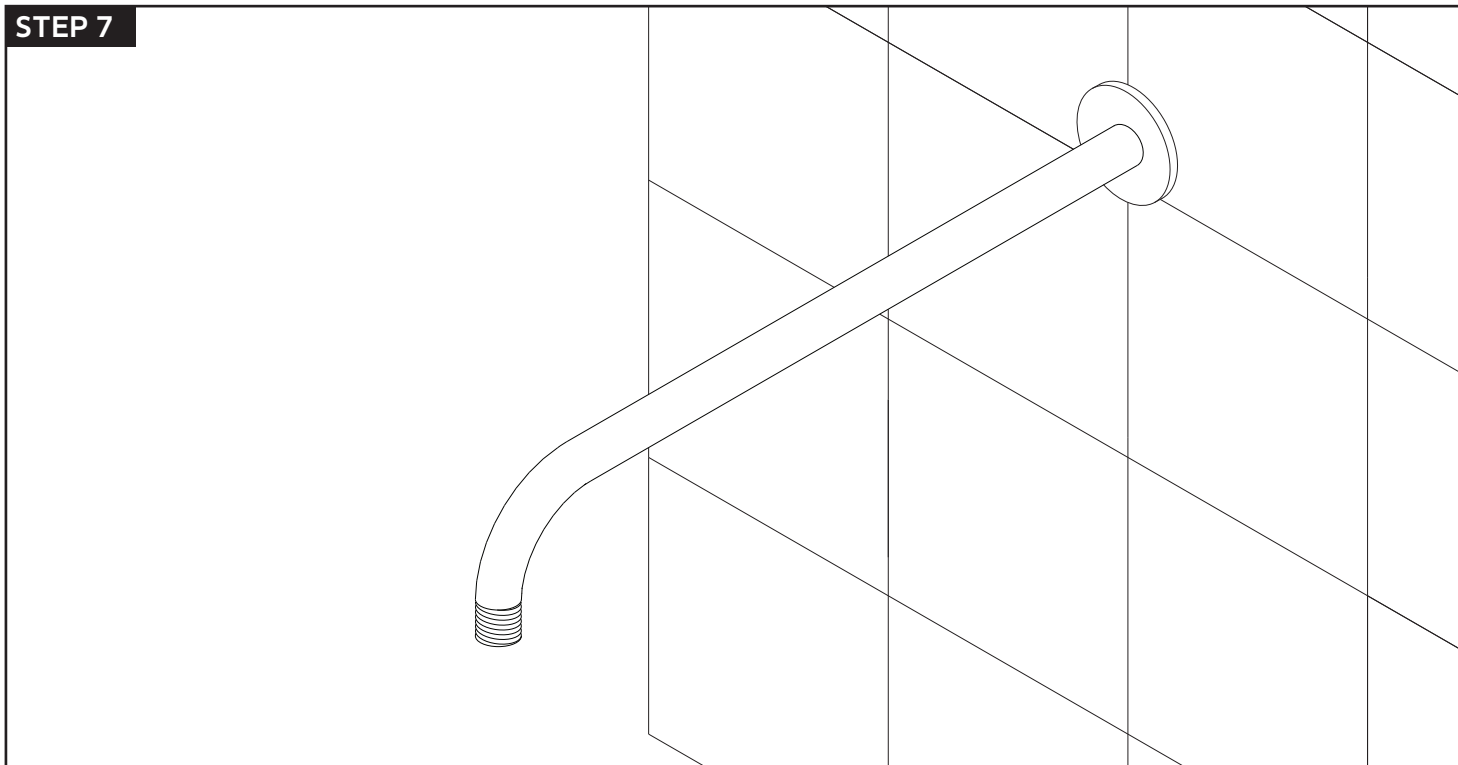


STEP 6

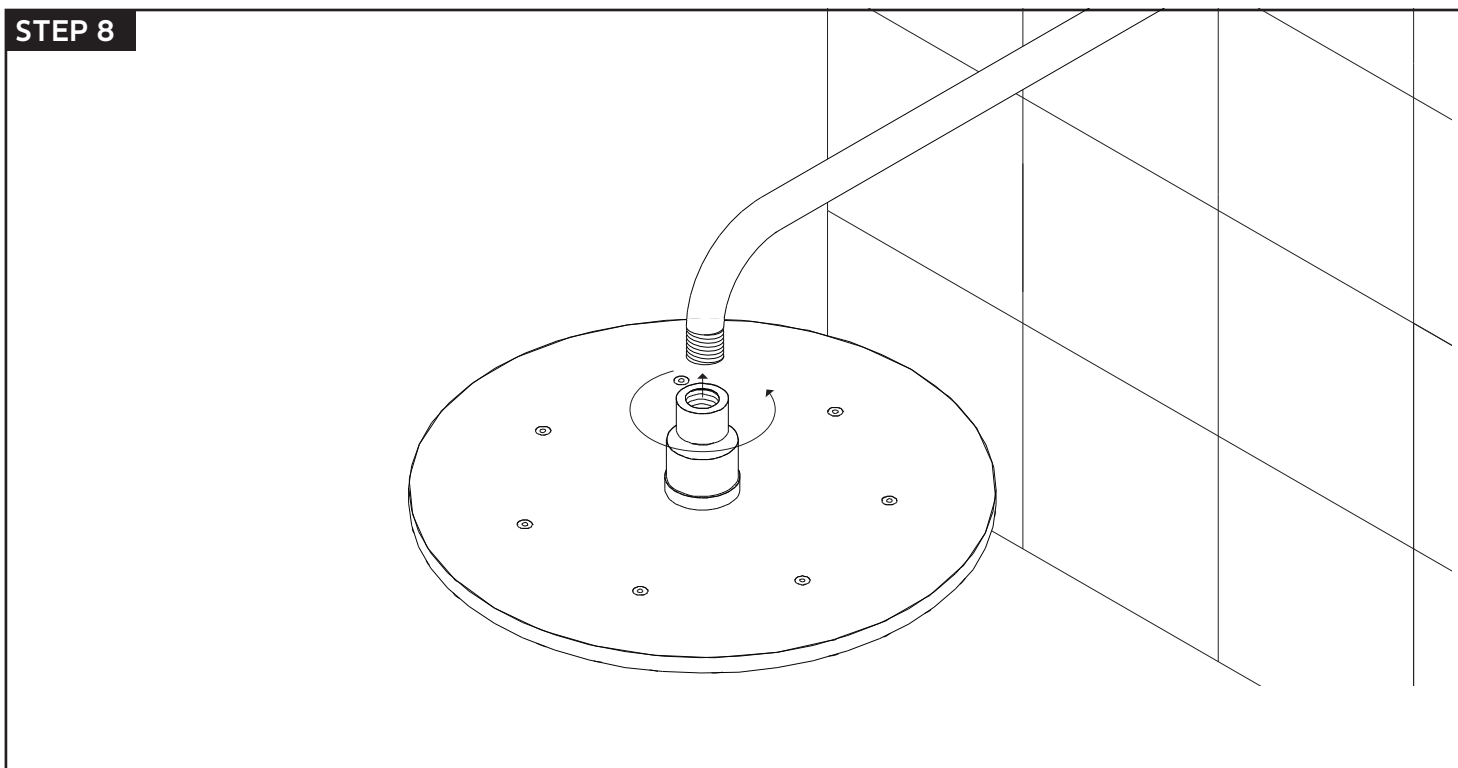


INSTALLATION STEPS

STEP 7



STEP 8

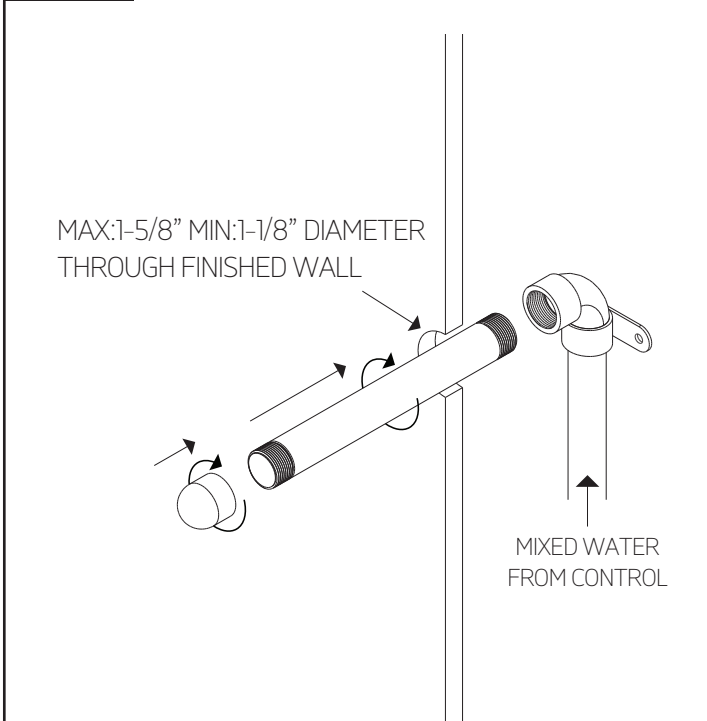


artos[®]

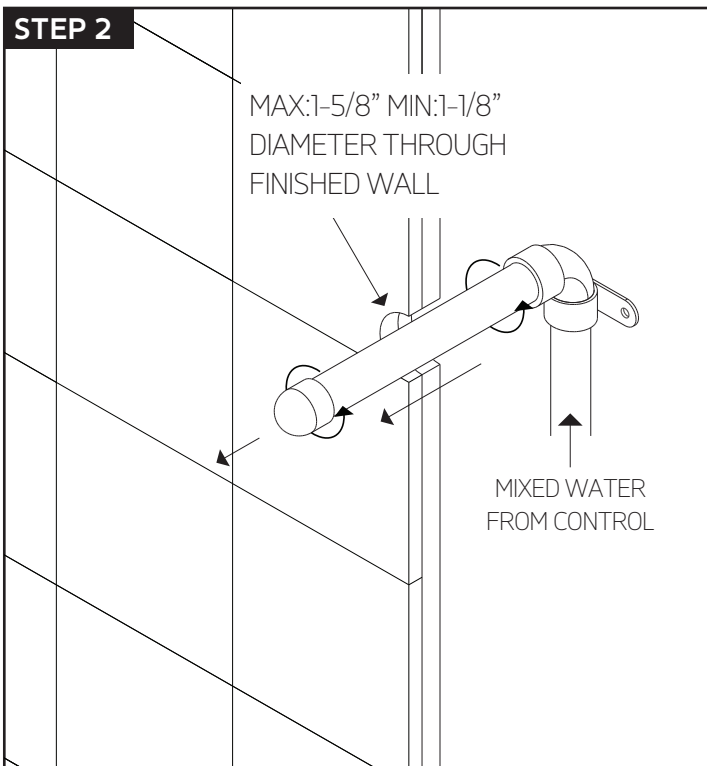
PS116

hand shower

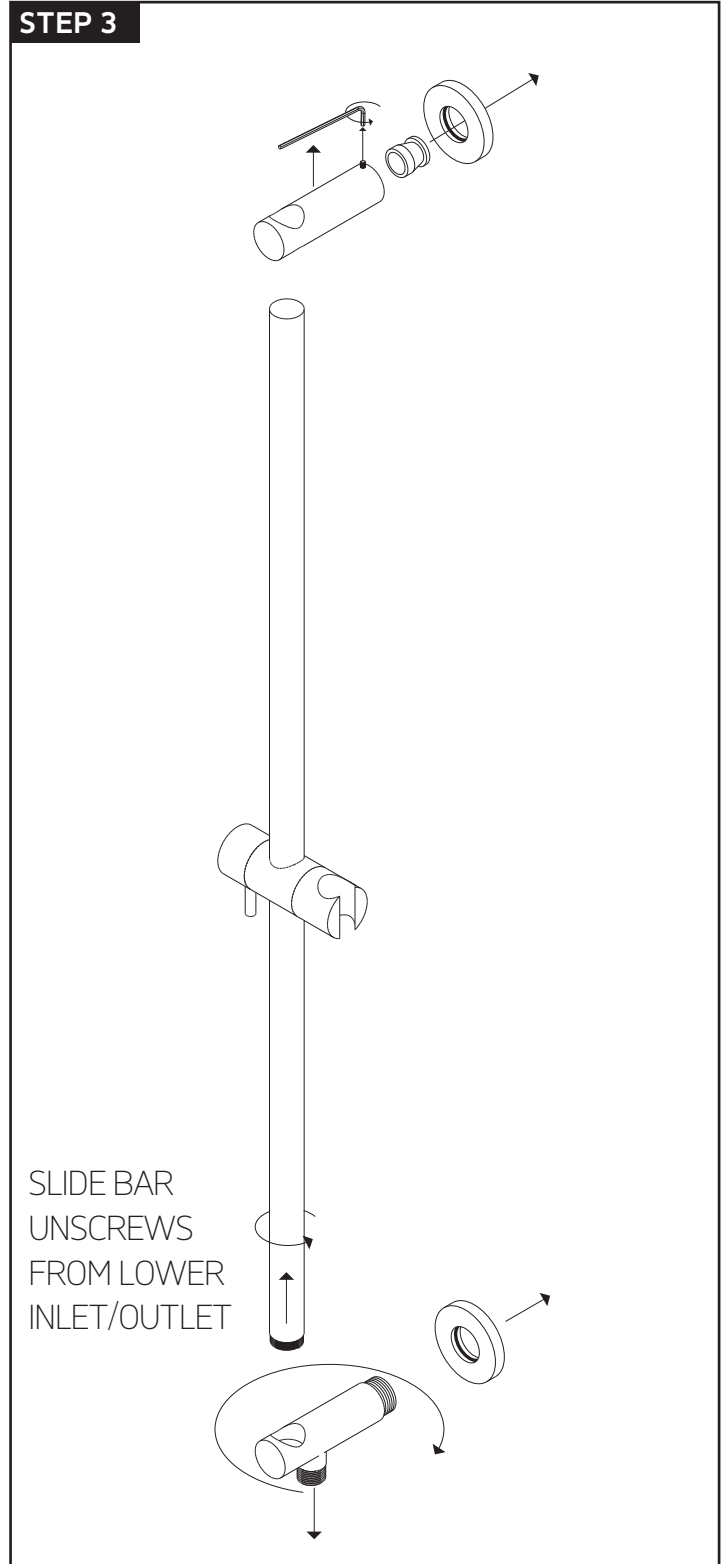
STEP 1 *ALL DIMENSIONS ARE APPROXIMATE



STEP 2

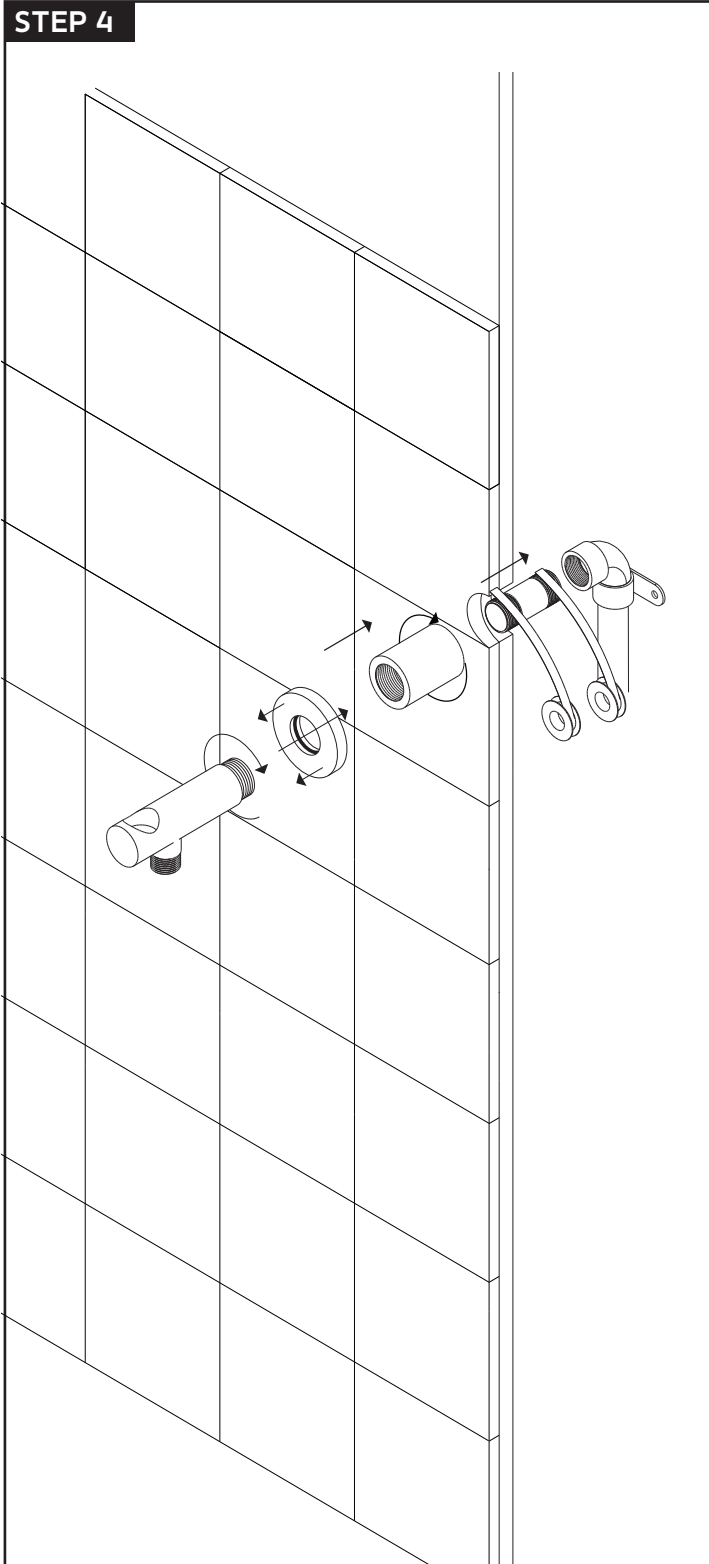


STEP 3

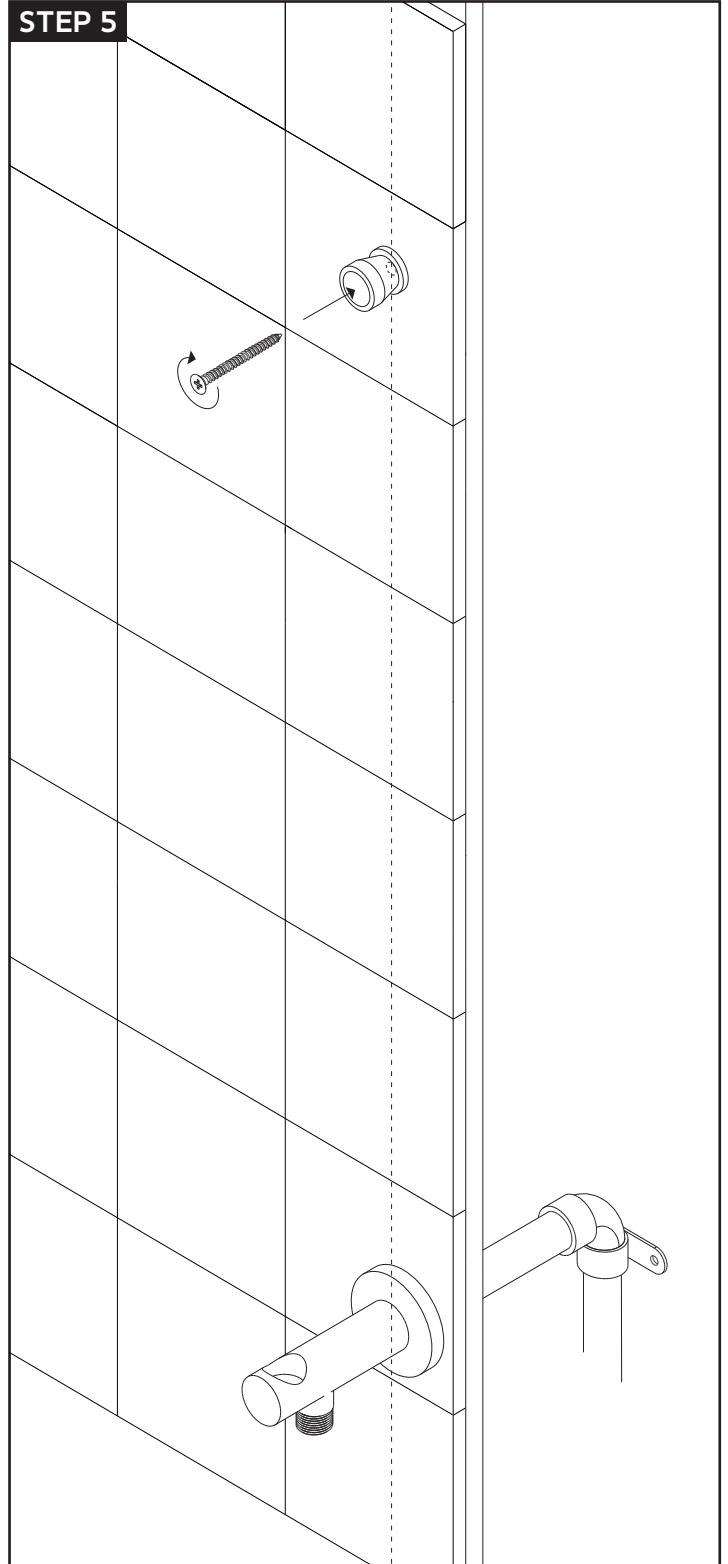


INSTALLATION STEPS

STEP 4



STEP 5

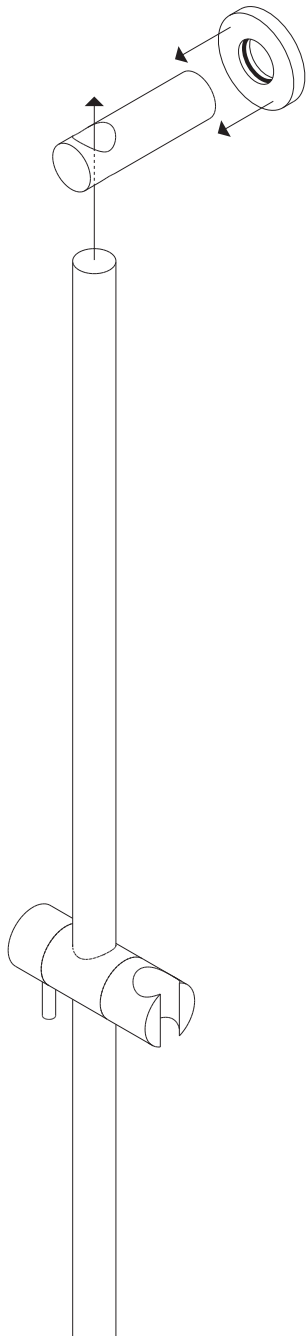


artos[®]

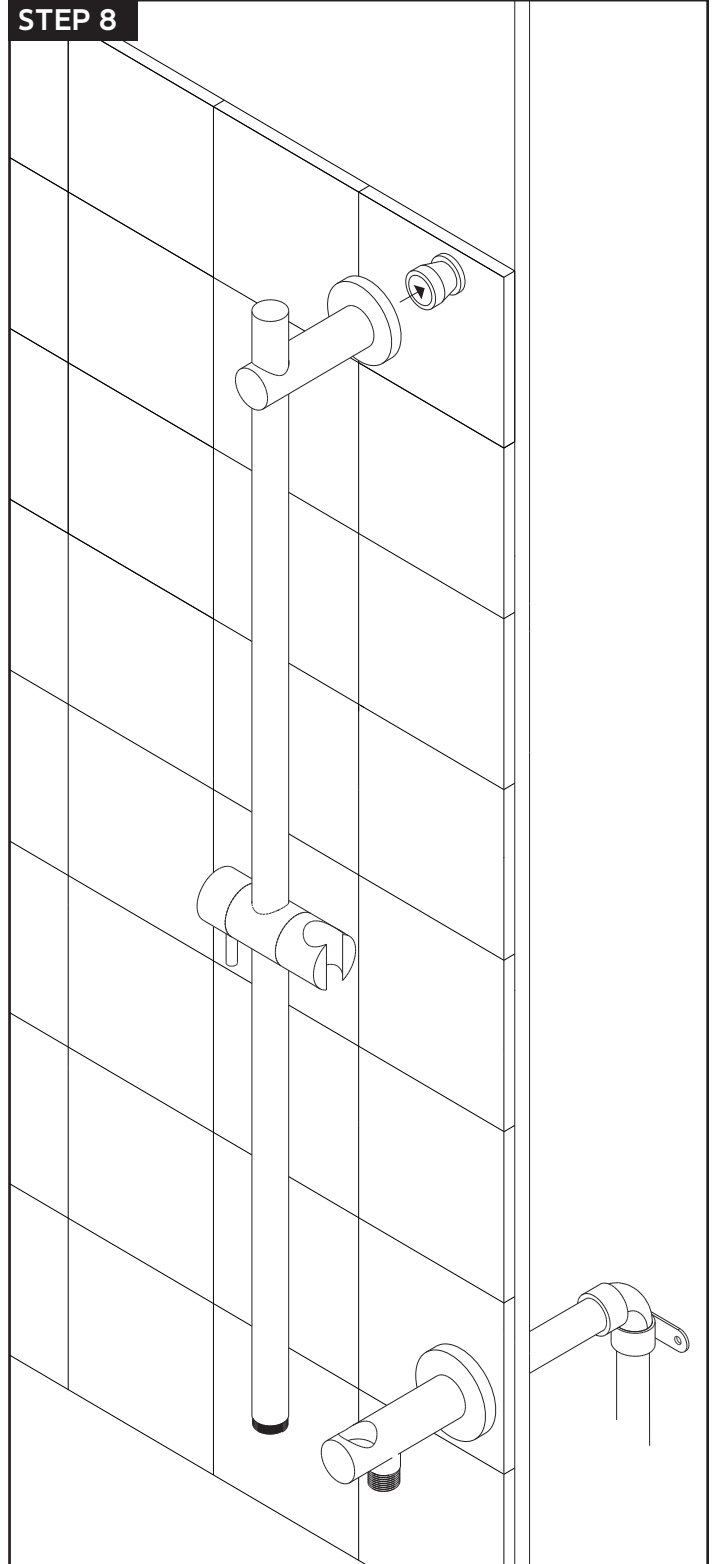
PS116

valve trim

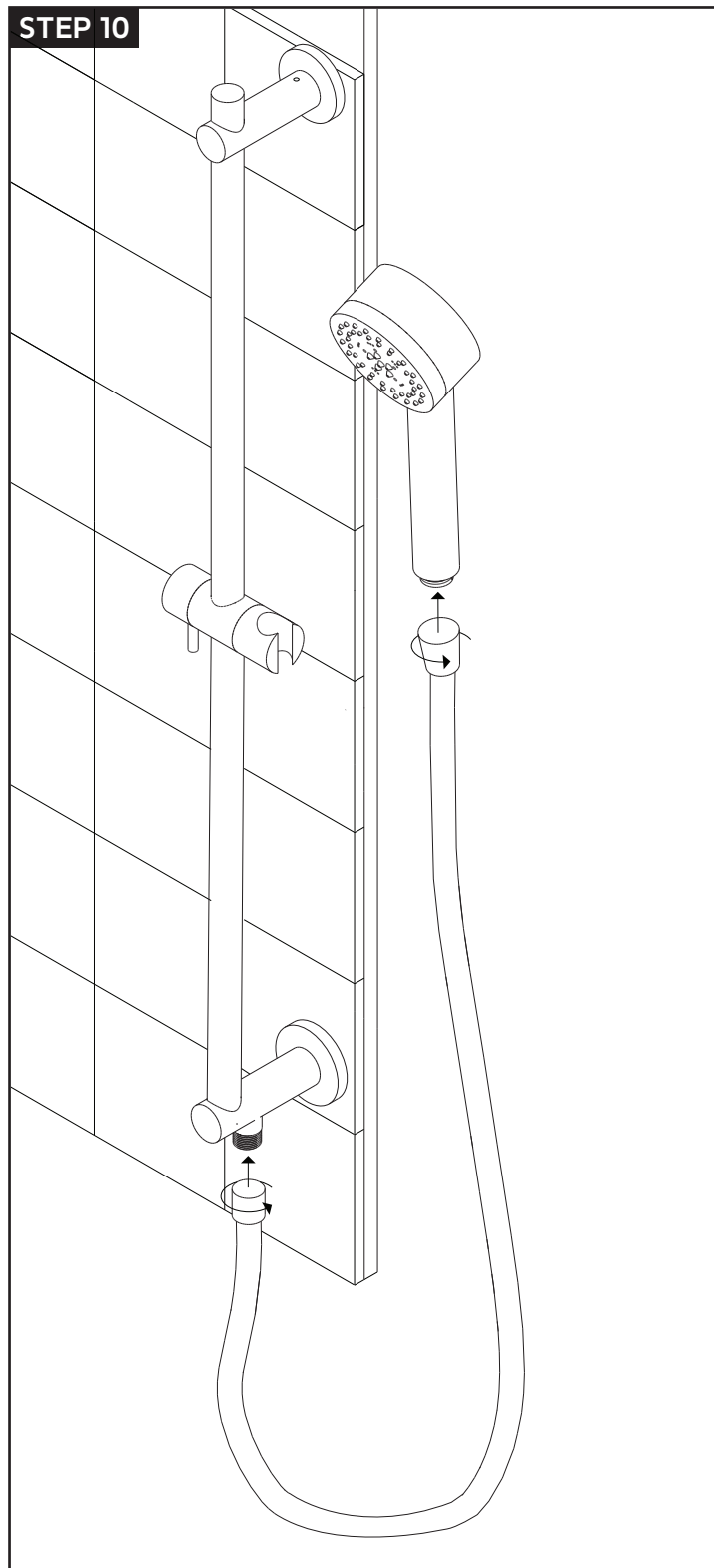
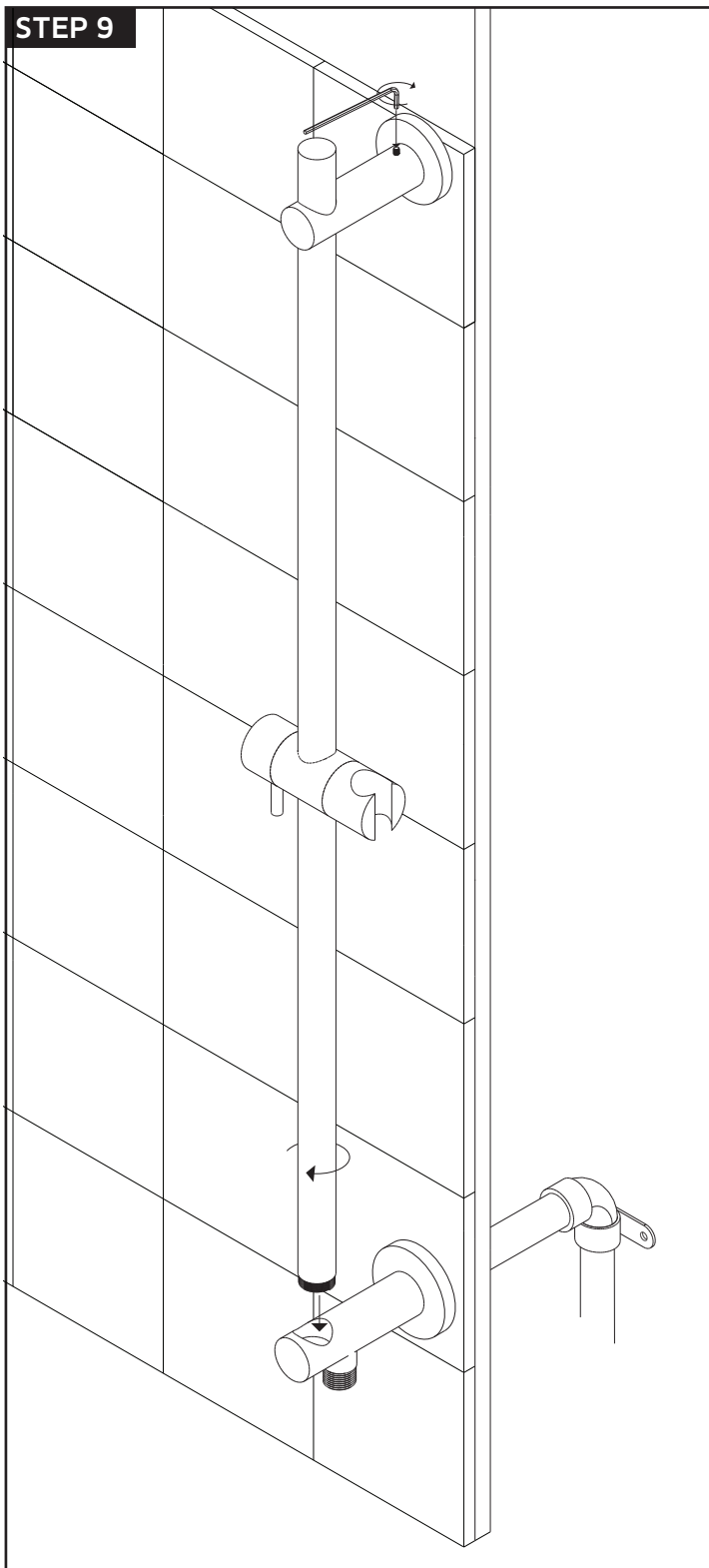
STEP 7



STEP 8

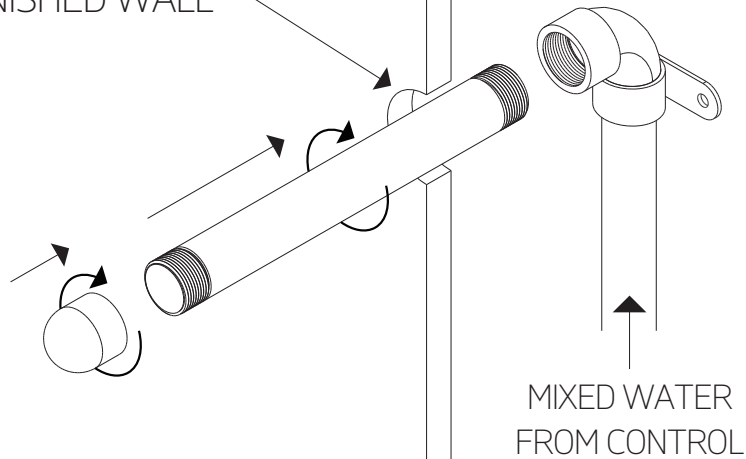


INSTALLATION STEPS



STEP 1

1-5/8" DIAMETER THROUGH FINISHED WALL



STEP 2

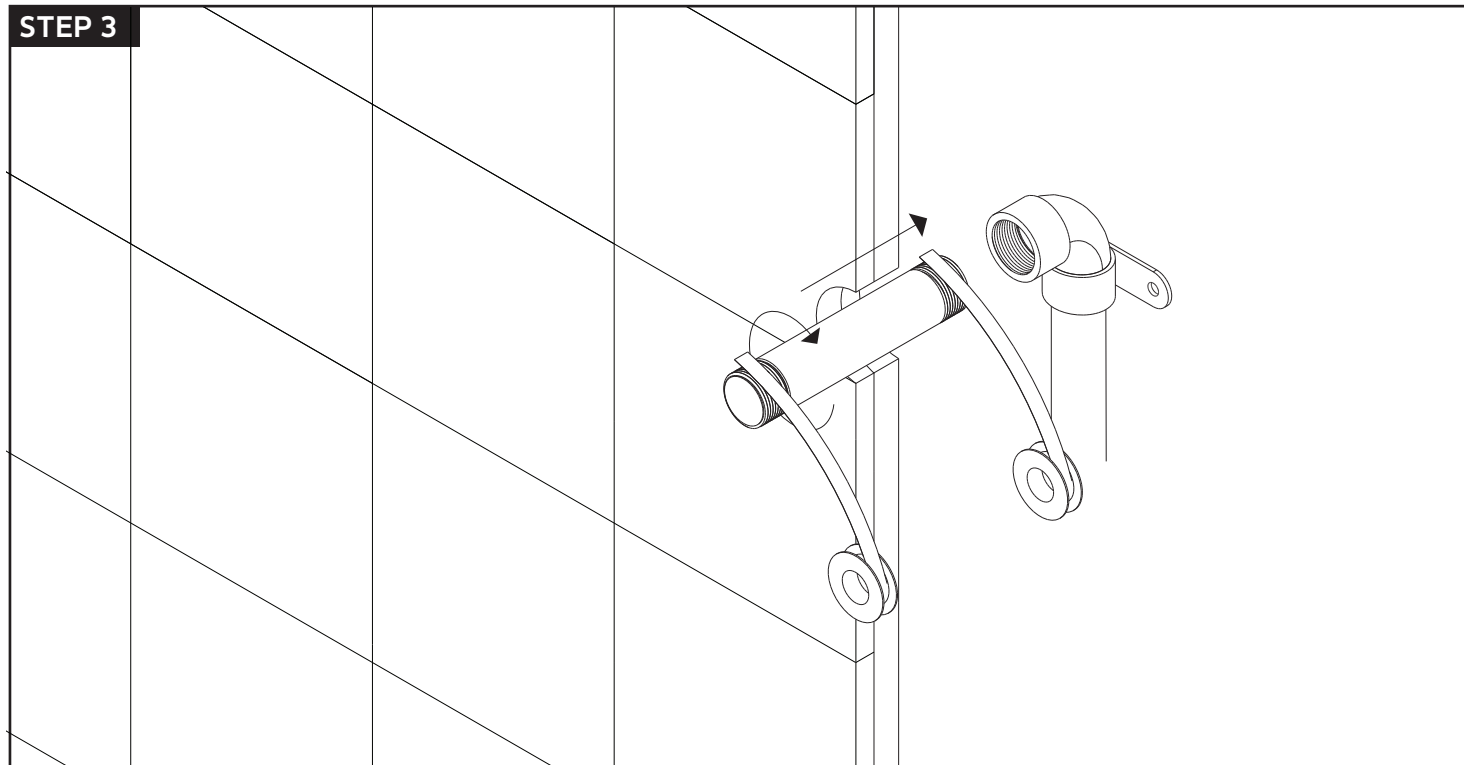
1-5/8" DIAMETER THROUGH FINISHED WALL

REMOVE TEMPORARY PIPE

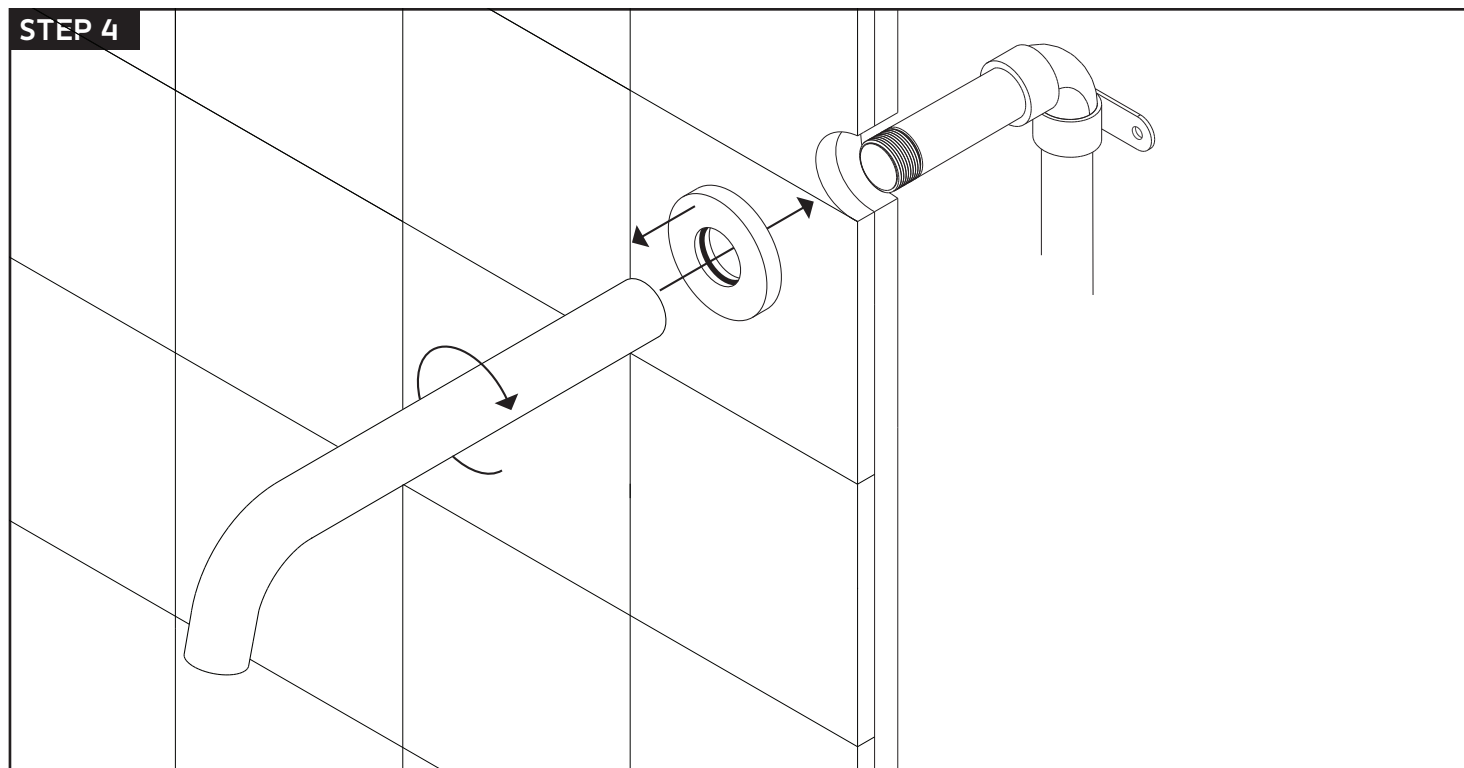
MIXED WATER FROM CONTROL

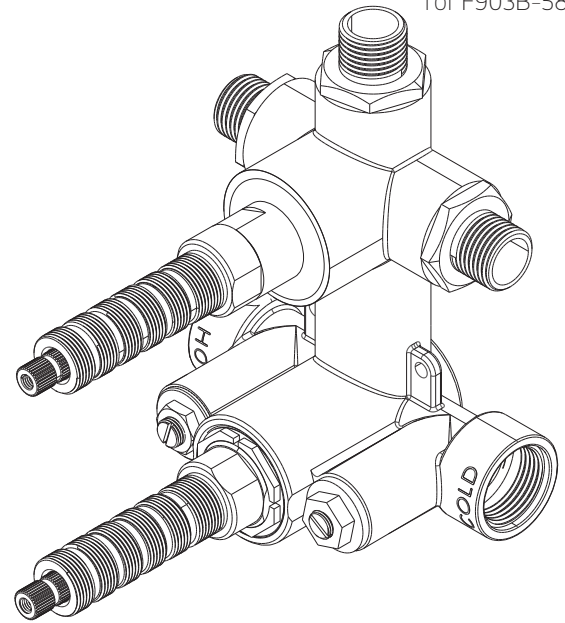
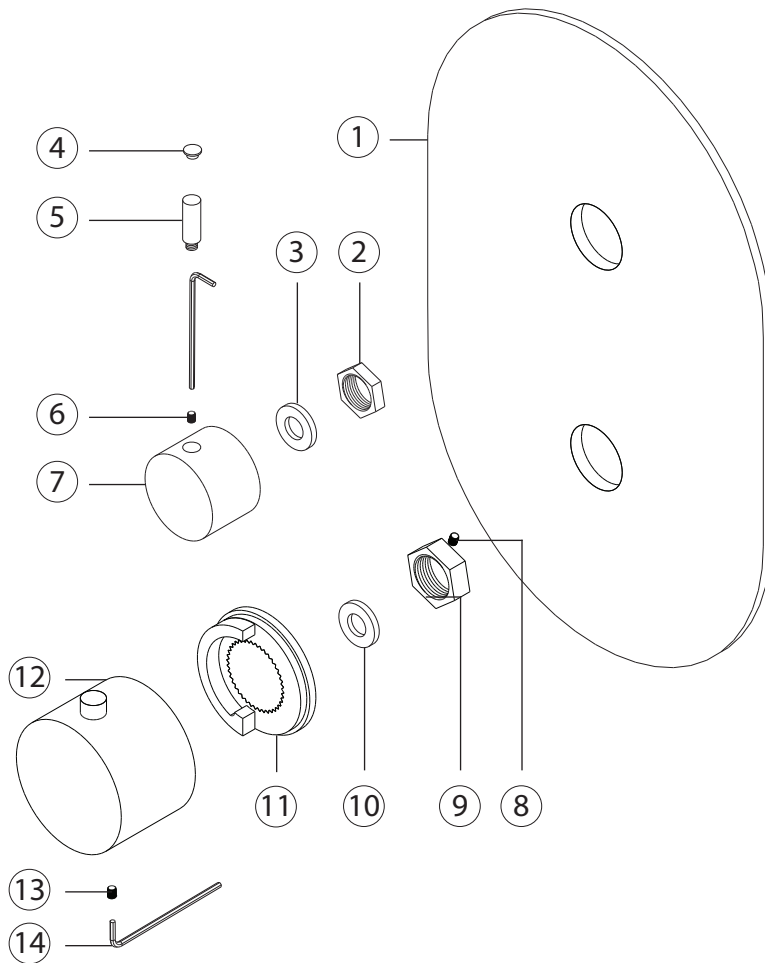
INSTALLATION STEPS

STEP 3

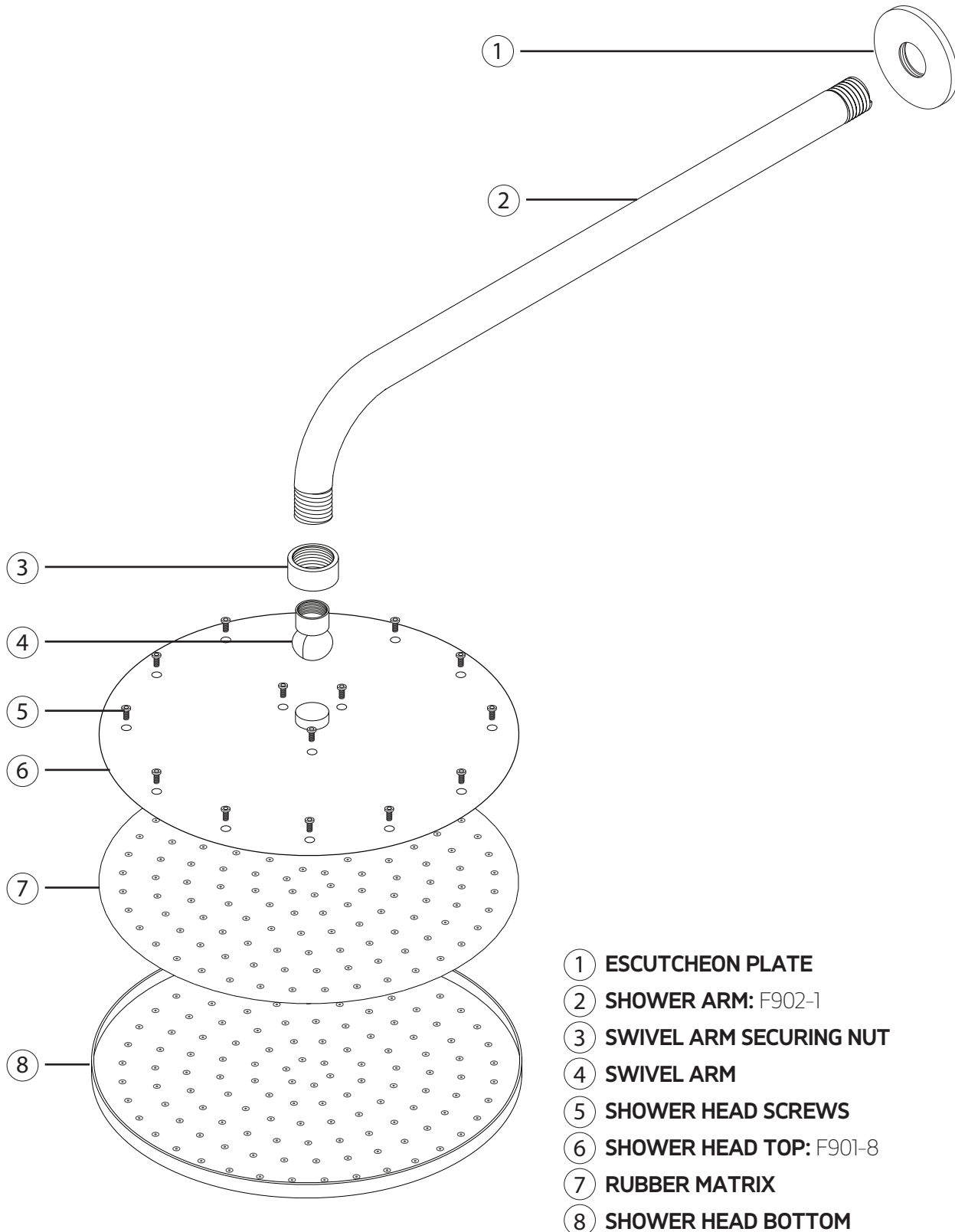


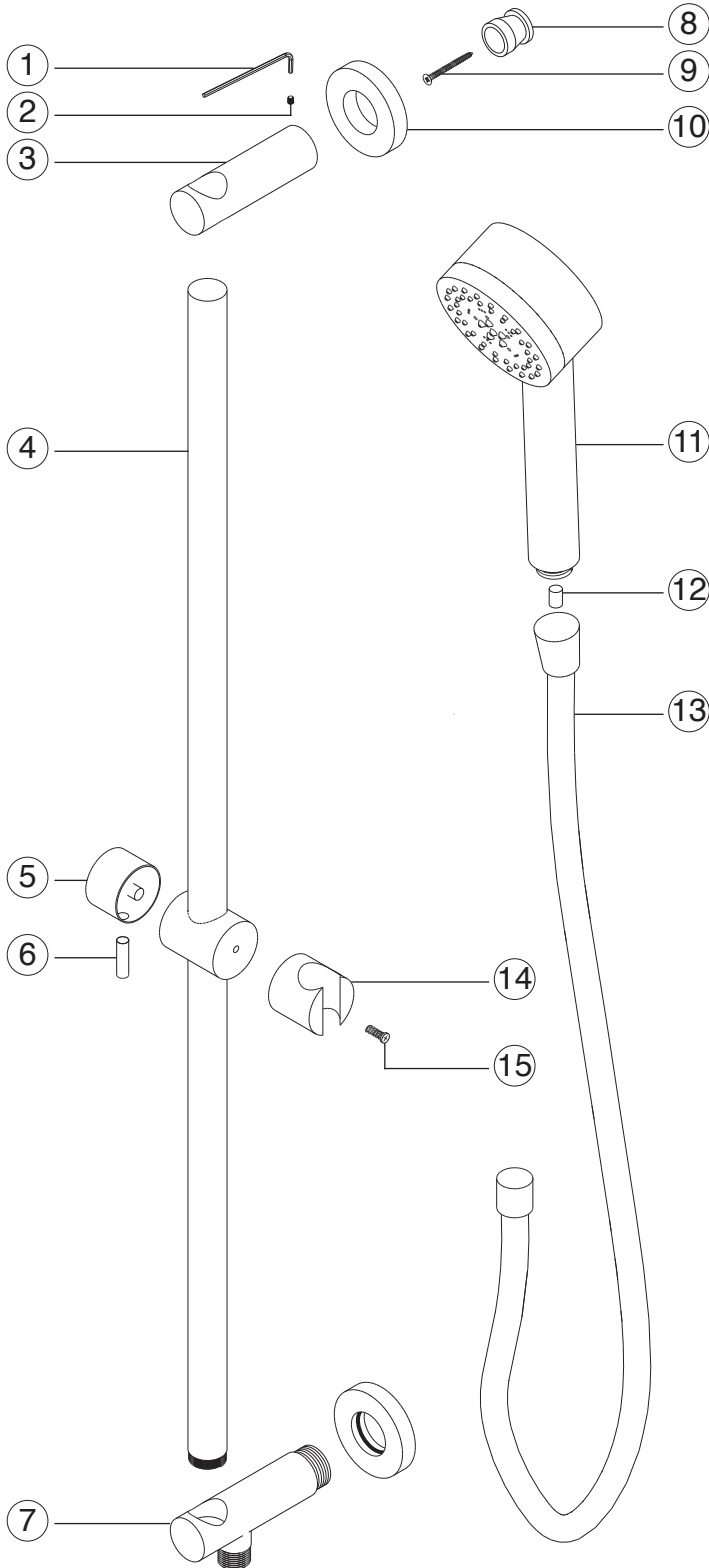
STEP 4



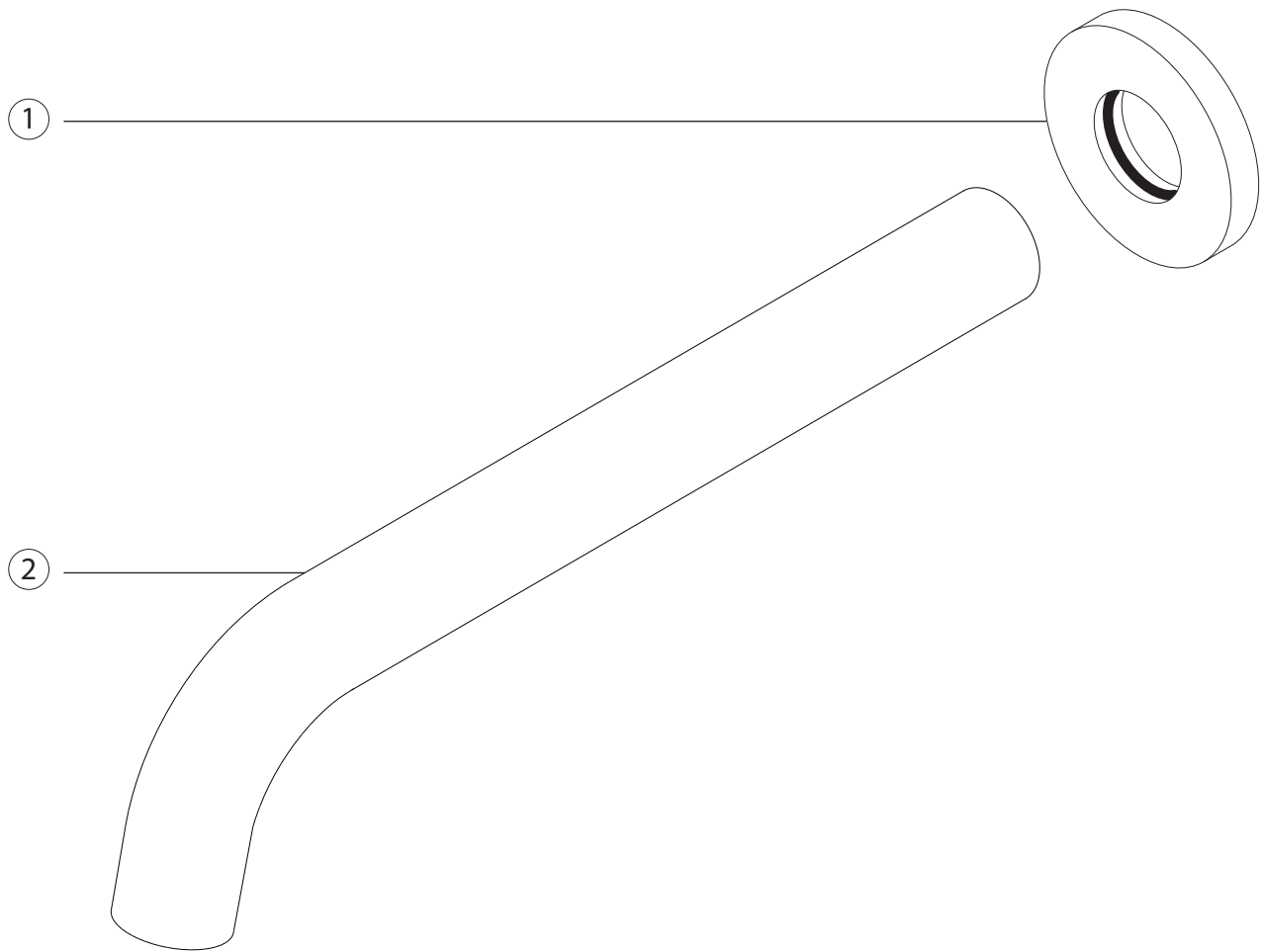


- | | |
|------------------------------|-------------------------------|
| ① ESCUTCHEON: F903-8P | ⑧ LOCKING NUT SET SCREW |
| ② DIVERTER LOCKING NUT | ⑨ THERMOSTAT LOCKING NUT |
| ③ NYLON WASHER | ⑩ NYLON WASHER |
| ④ HANDLE HOLE CAP | ⑪ TEMPERATURE LIMITING RING |
| ⑤ DIVERTER HANDLE LEVER | ⑫ THERMOSTAT HANDLE: F904A-1H |
| ⑥ DIVERTER SET SCREW | ⑬ THERMOSTAT SET SCREW |
| ⑦ DIVERTER HANDLE: F903A-12H | ⑭ ALLEN WRENCH |





- ① ALLEN WRENCH
- ② SET CREW
- ③ SLIDE BAR LEG
- ④ SLIDE BAR: F902-43
- ⑤ SLIDE BAR HANDLE
- ⑥ SLIDE BAR HANDLE LEVER
- ⑦ SLIDE BAR INLET/OUTLET
- ⑧ WALL BRACKET
- ⑨ WALL BRACKET SCREW
- ⑩ ESCUTCHEON PLATE(2)
- ⑪ HAND SHOWER: F902-23
- ⑫ HAND SHOWER CHECK VALVE
- ⑬ HOSE: F902-8
- ⑭ HAND SHOWER HOLDER
- ⑮ HAND SHOWER HOLDER SCREW



- ① **ESCUTCHEON:** F908-45E
- ② **TUB FILLER SPOUT:** F908-4SP