

PS115

artos®

Square Thermostatic Shower Trim Kit with Wall Mount Shower Head, Hand Held Shower on Slide Bar, Tub Filler

OPERATING SPECIFICATIONS



OPERATING PRESSURE

Minimum: 15 psi

Maximum: 125 psi

Above 90psi it may be necessary to install a pressure reducer

OPERATING TEMPERATURE

Maximum: 176°

FLOW CAPACITY

Shower Head: 1.8 USGPM

Handshower: 1.8 USGPM



STANDARDS

ASSE 1016-2011

ASME_A112.1016-2011

CSA B125:16-11



PS115

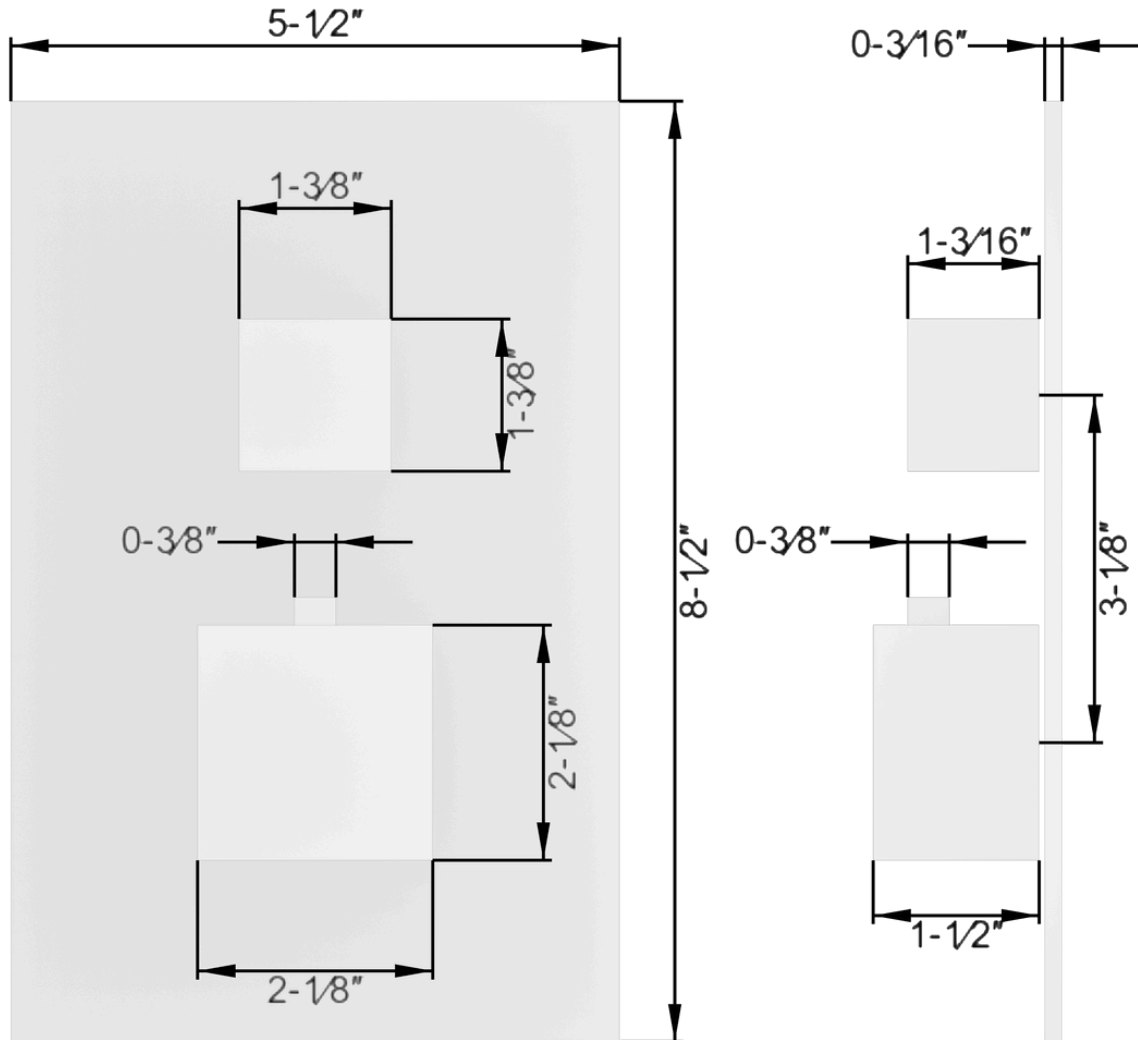
artos®

Square Thermostatic Shower Trim Kit with Wall Mount Shower Head, Hand Held Shower on Slide Bar, Tub Filler

PRODUCT DIMENSIONS

PRODUCT SKU

F903B-59TK



PS115

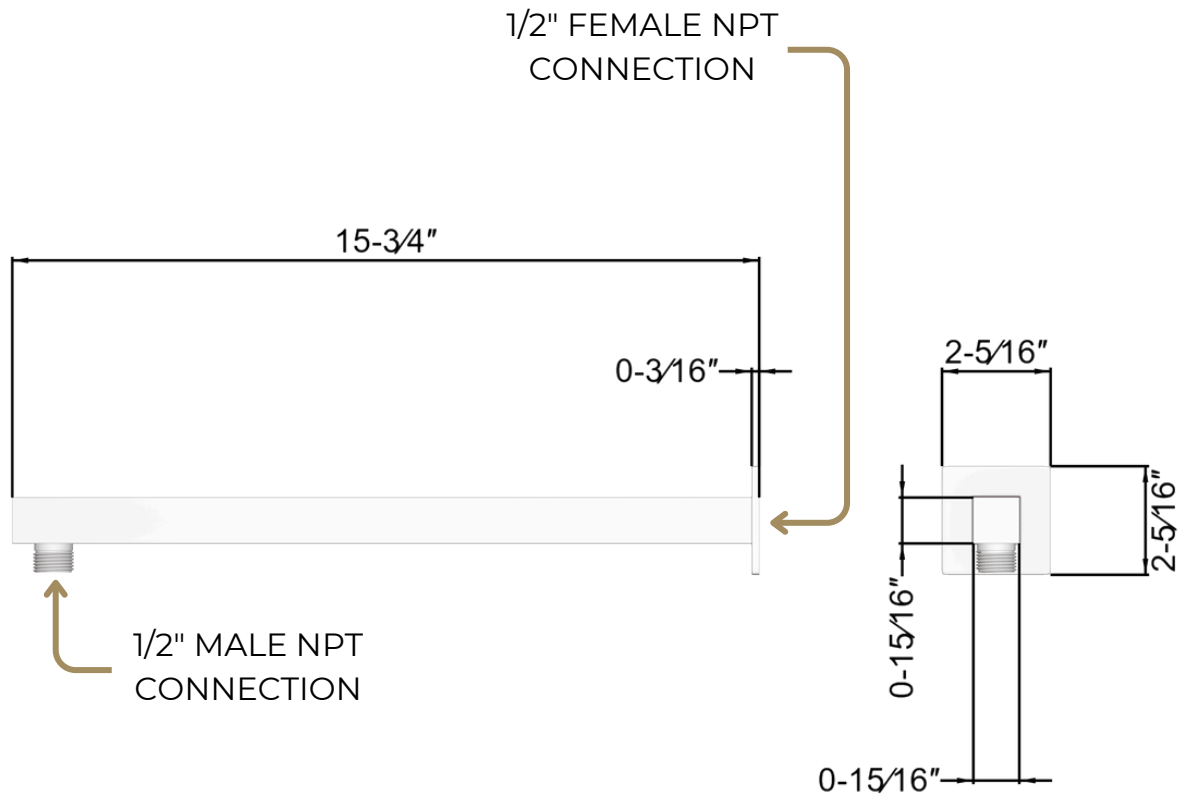
artos®

Square Thermostatic Shower Trim Kit with Wall Mount Shower Head, Hand Held Shower on Slide Bar, Tub Filler

PRODUCT DIMENSIONS

PRODUCT SKU

FSC1001



PS115

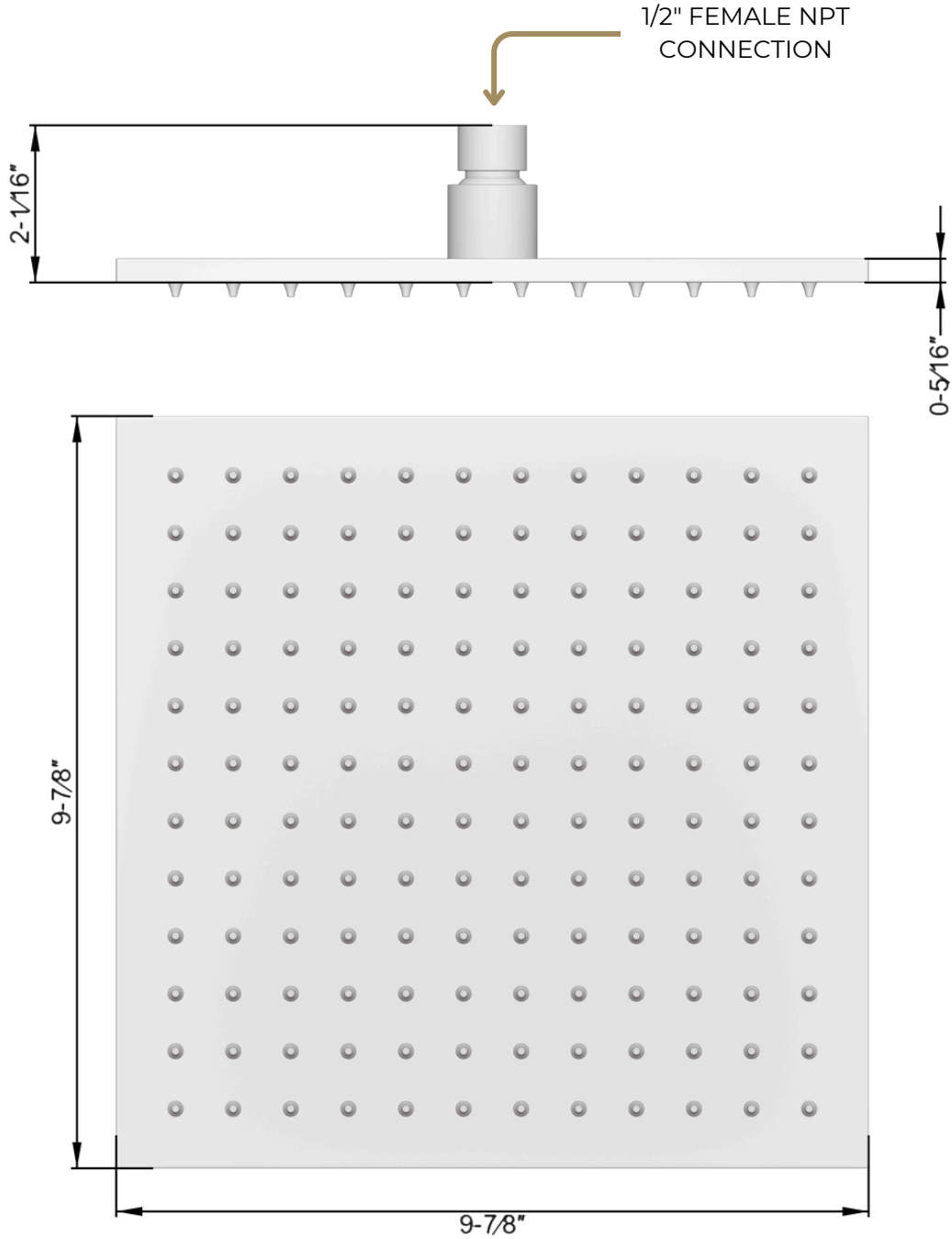
artos®

Square Thermostatic Shower Trim Kit with Wall Mount Shower Head, Hand Held Shower on Slide Bar, Tub Filler

PRODUCT DIMENSIONS

PRODUCT SKU

F901-9



PS115

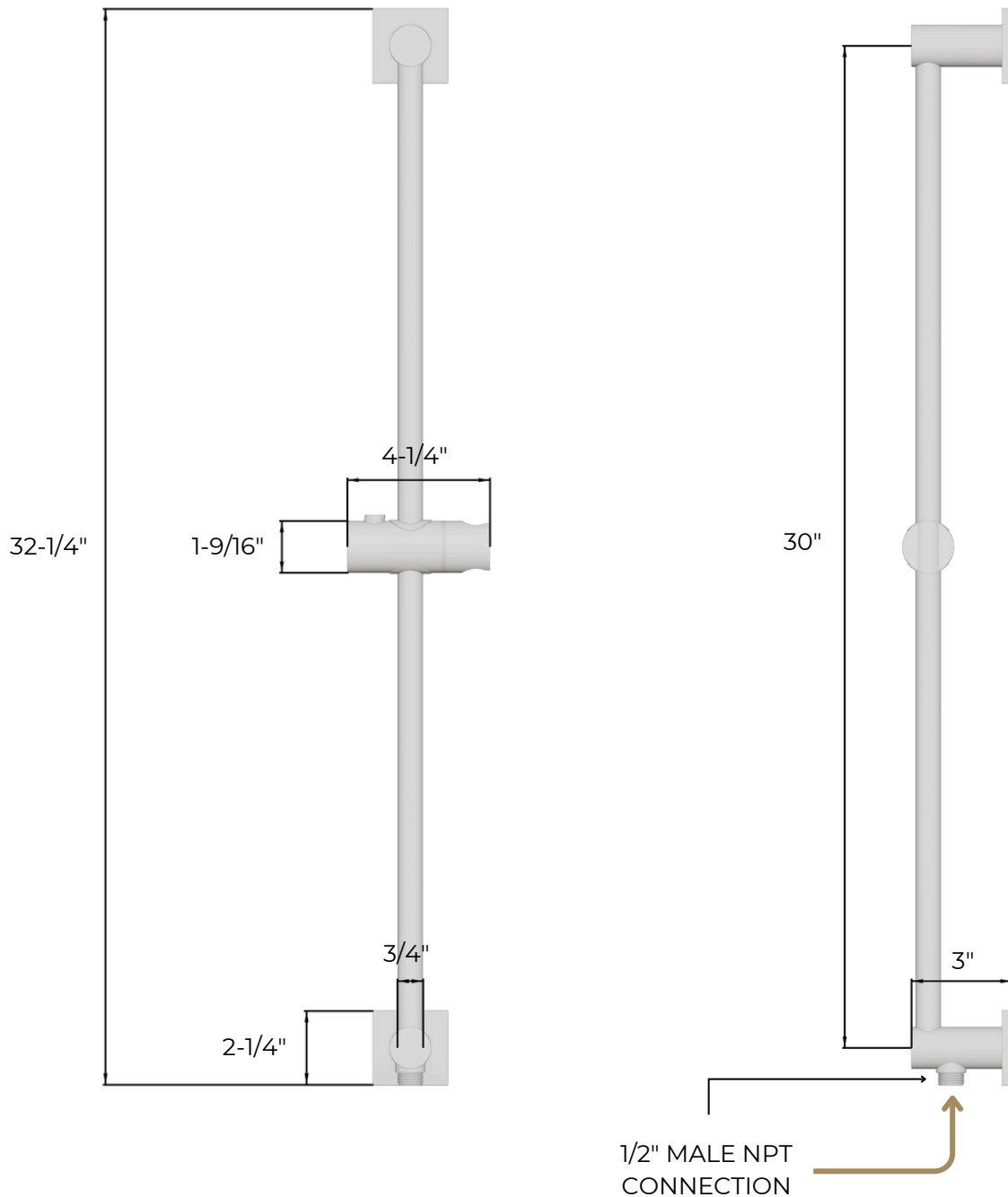
artos®

Square Thermostatic Shower Trim Kit with Wall Mount Shower Head, Hand Held Shower on Slide Bar, Tub Filler

PRODUCT DIMENSIONS

PRODUCT SKU

F907-87



PS115

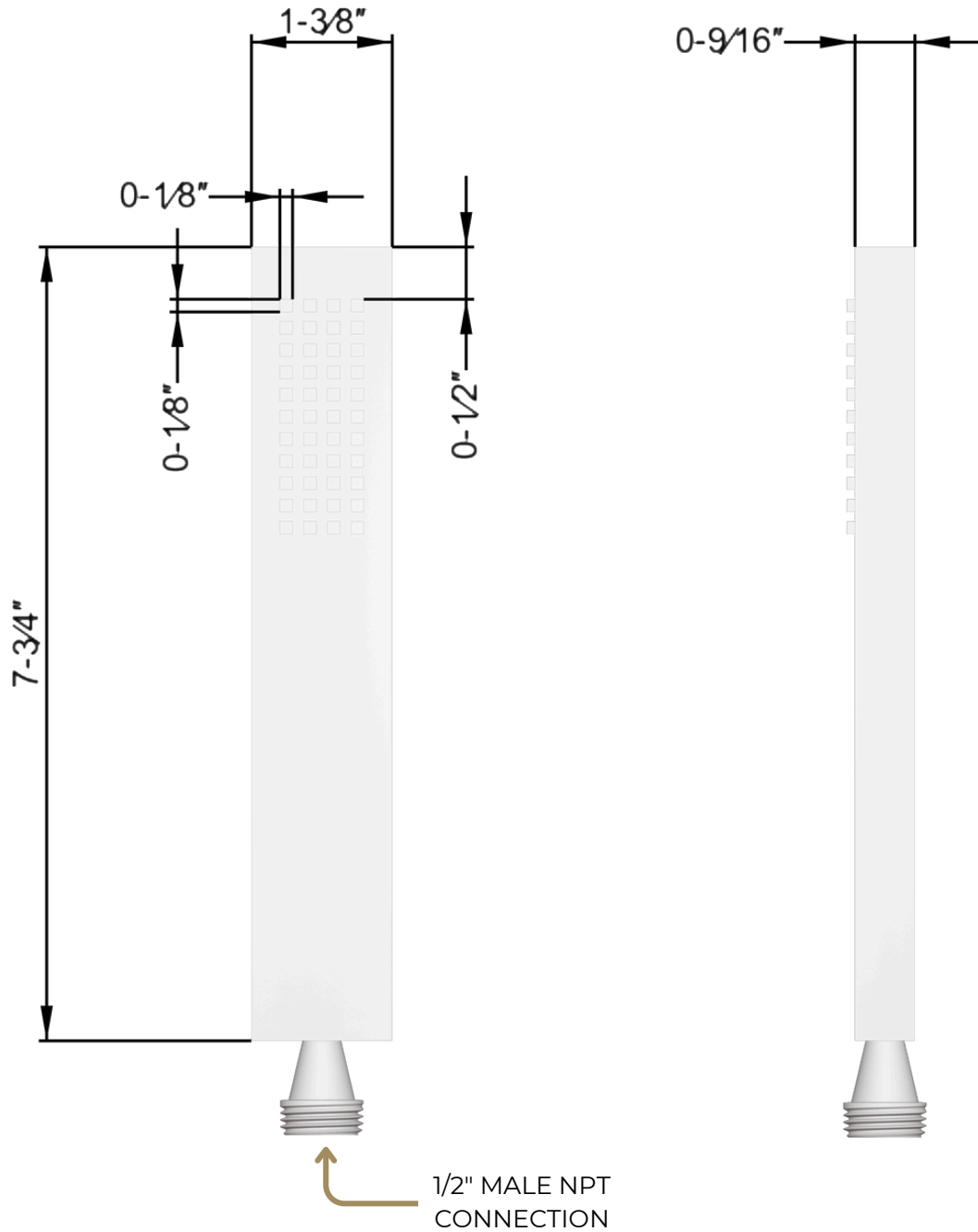
artos®

Square Thermostatic Shower Trim Kit with Wall Mount Shower Head, Hand Held Shower on Slide Bar, Tub Filler

PRODUCT DIMENSIONS

PRODUCT SKU

FSC1016



PS115

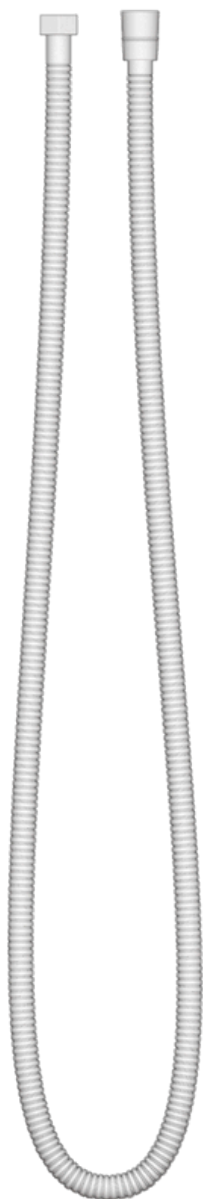
Square Thermostatic Shower Trim Kit with Wall Mount Shower Head, Hand Held Shower on Slide Bar, Tub Filler

artos®

PRODUCT DIMENSIONS

PRODUCT SKU

F902-8



METAL SHOWER HOSE

1/2" FEMALE NPT CONNECTIONS
60" IN LENGTH

PS115

artos®

Square Thermostatic Shower Trim Kit with Wall Mount Shower Head, Hand Held Shower on Slide Bar, Tub Filler

PRODUCT DIMENSIONS

PRODUCT SKU

F402-10

DOUBLE O-RING
PUSH FIT SEAL
WITH SET SCREWS
SECURING FROM
BENEATH

